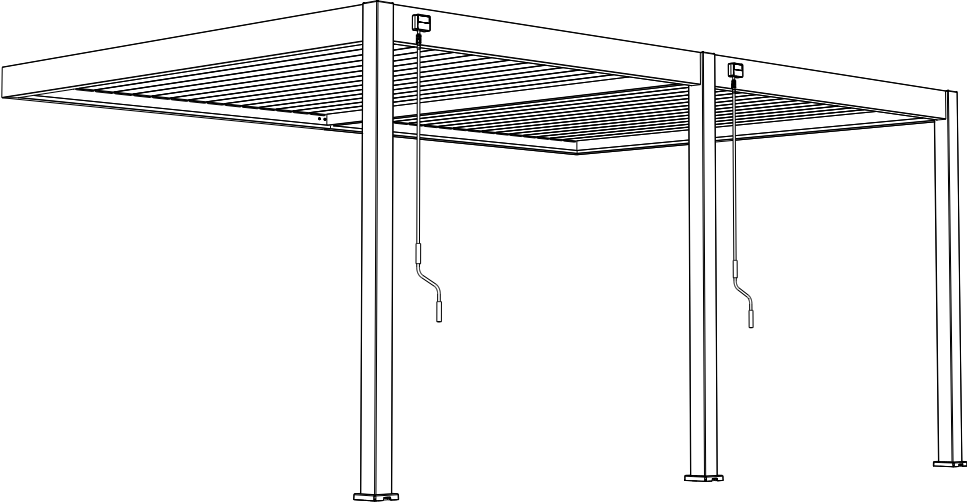




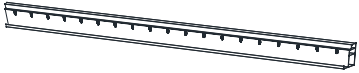








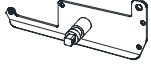

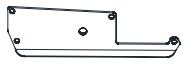

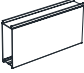

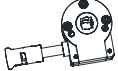


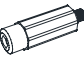
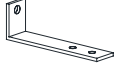










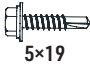









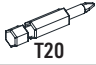
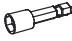

# Installation Guide for Pergola 3.6m x 5.3m



Carton	RET	QTY	REF	QTY	REF	QTY
1/6	AO	2	AO-1	1	IO	3
	JO	3	TO	12	XO-1	12
2/6	BO-1	2	BO-2	1	BO-3	1
	CO-1	1	CO-2	1	EO	1
	FO	2	HO	2	NO	2
	LO-2	2	LO-3	1	OO	2
	PO	2	QO	12	QO-1	2
	RO	12	SO	68	TO-1	12
	UO	100	UO-1	34	VO	102
	WO-1	68	XO	66	XO-2	18
	YO	6	ZO-1	1	ZO-2	1
	ZO-3	1	ZO-4	1	ZO-5	1
	ZO-6	1	ZO-7	1	ZO-8	1
	3/6	GO	7	KO	2	LO
LO-1		34	MO	68	WO	276
4/6	GO	9				
5/6	GO	9				
6/6	GO	9				

REF	PICTURE	QTY
AO		2PCS
AO-1		1PCS
BO-1		2PCS
BO-2		1PCS
BO-3		1PCS
CO-1		1PCS
CO-2		1PCS
EO		1PCS
FO		2PCS
GO		34PCS
HO		2PCS

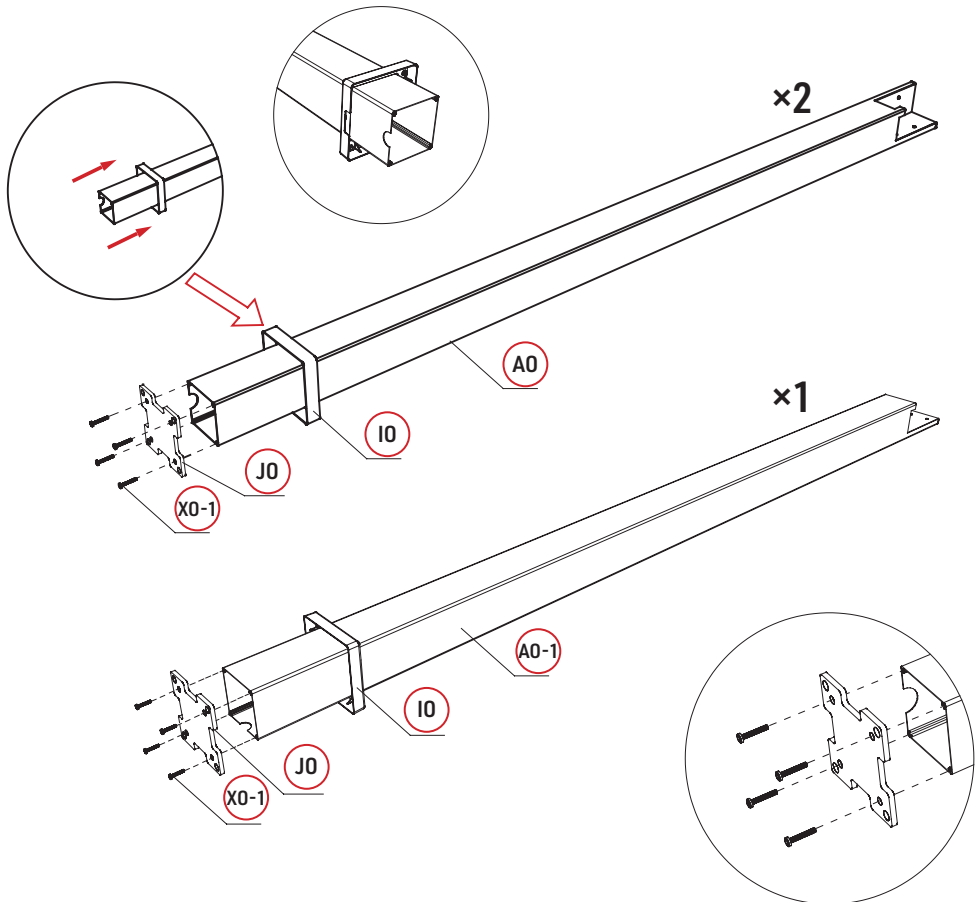
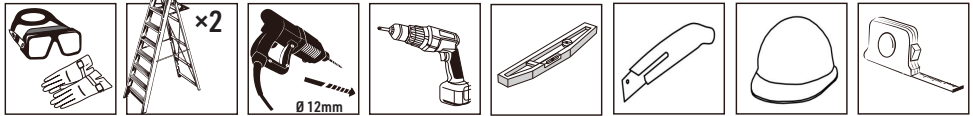
REF	PICTURE	QYT
IO		3PCS
JO		3PCS
KO		2PCS
LO		32PCS
LO-1		34PCS
LO-2		2PCS
LO-3		1PCS
MO		68PCS
NO		2PCS
OO		2PCS
PO		2PCS
QO		12PCS
QO-1		2PCS
RO		12PCS
SO		68PCS
TO	 10×80	12PCS
TO-1	 8×100	12PCS

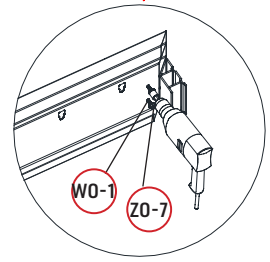
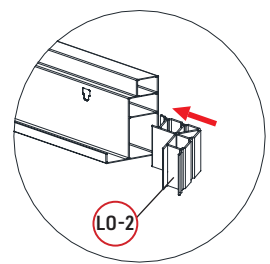
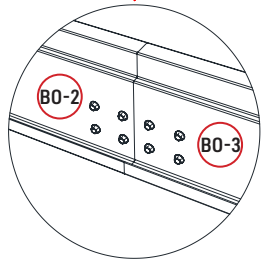
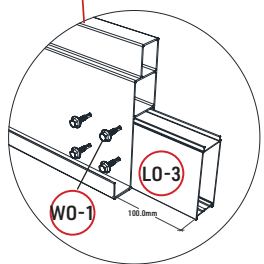
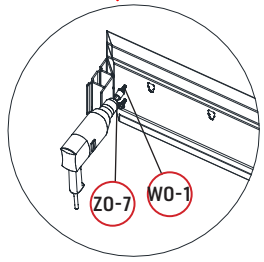
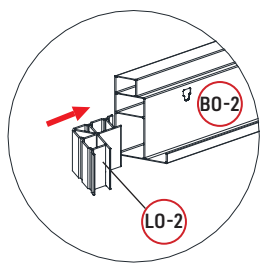
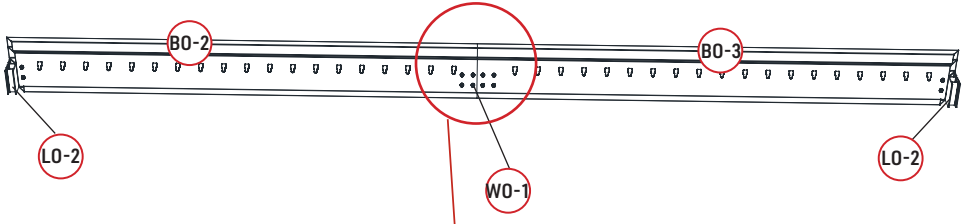
REF	PICTURE	QYT
UO	 lock nut	100PCS
UO-1	 plastic nut	34PCS
VO		102PCS
WO	 4×16	276PCS
WO-1	 5×19	18PCS
XO	 6×40	66PCS
XO-1	 6×35	12PCS
XO-2	 6×20	34PCS
YO	 6×45	6PCS
ZO-1	 4mm	1PCS
ZO-2	 4mm	1PCS
ZO-3	 6mm	1PCS
ZO-4	 6mm	1PCS
ZO-5	 10mm	1PCS
ZO-6	 T20	1PCS
ZO-7		1PCS
ZO-8		1PCS

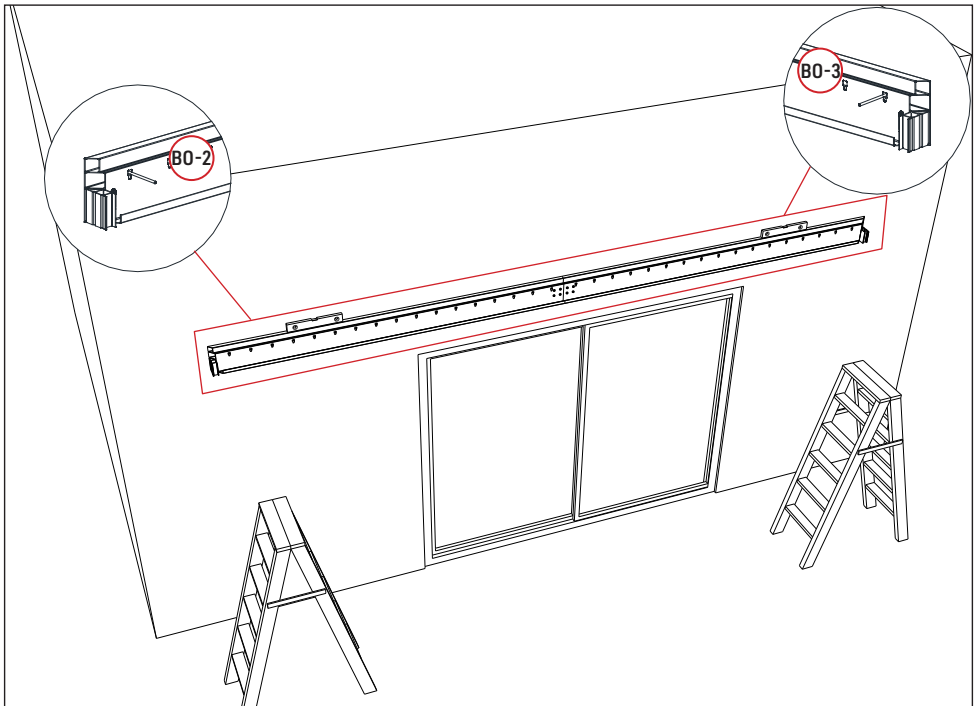
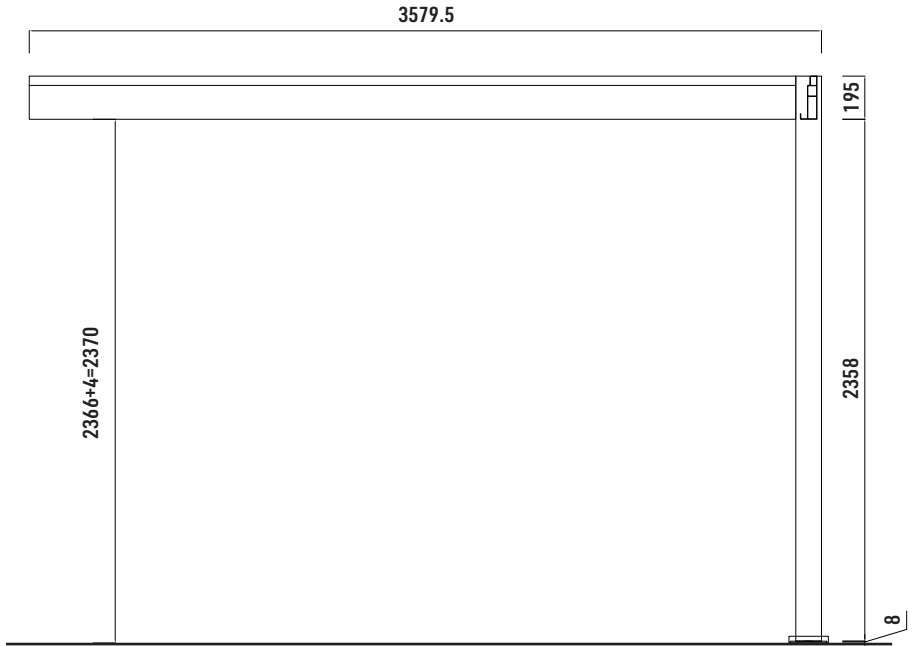
# ATTENTION!!!

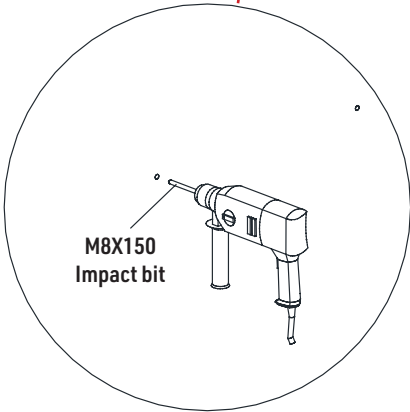
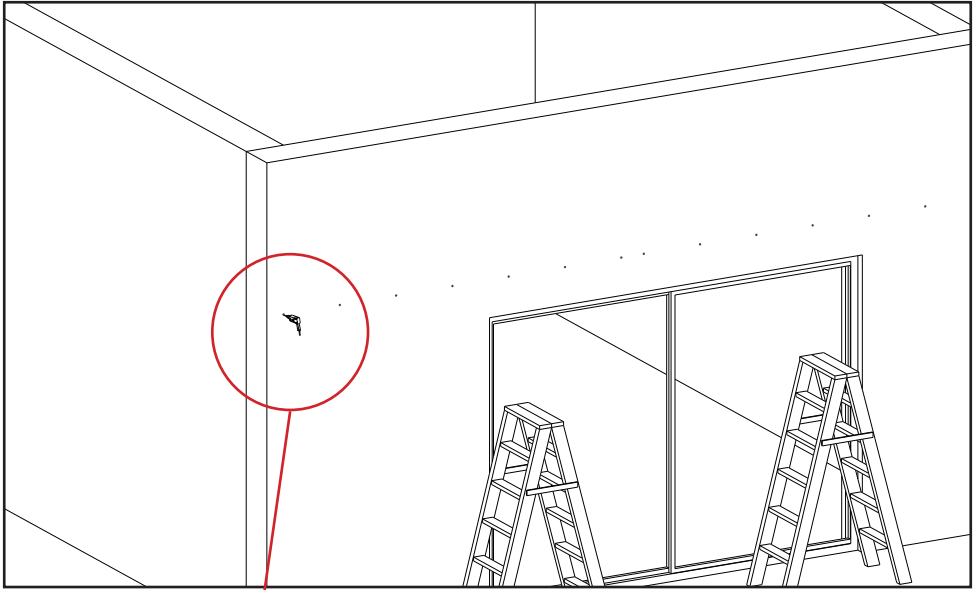
Please open the louvers to vertical in winter and snowing weather to protect your pergola!

## Tools Required for Installation

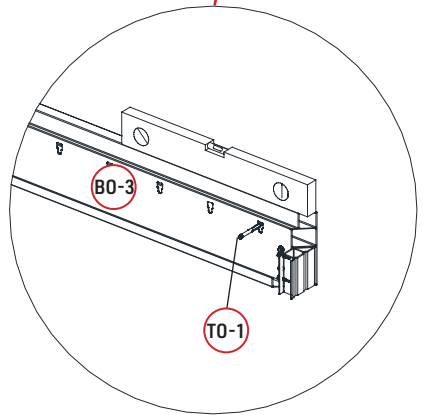
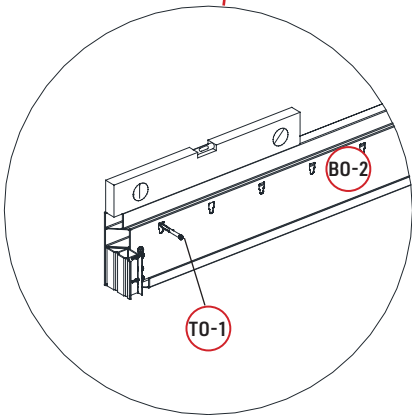
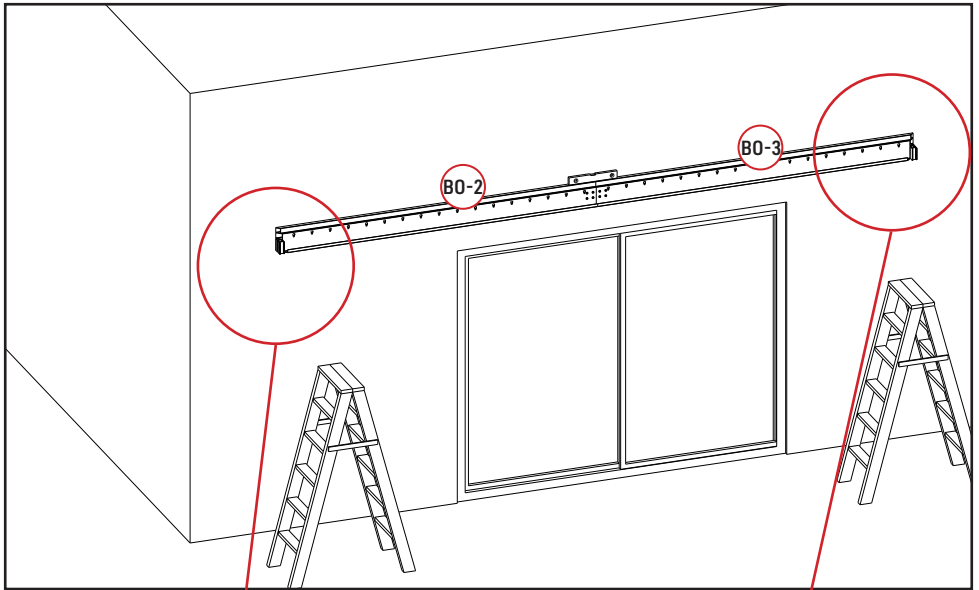


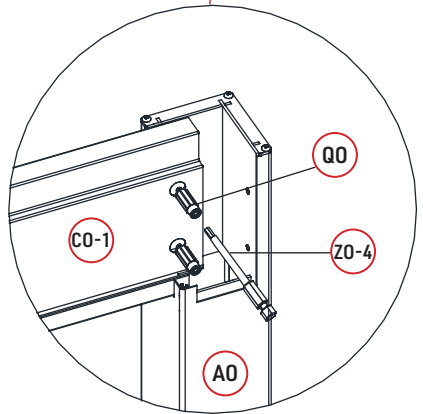
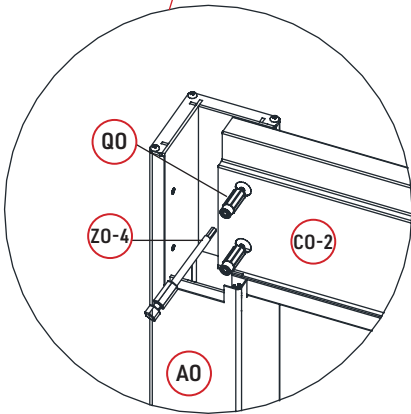
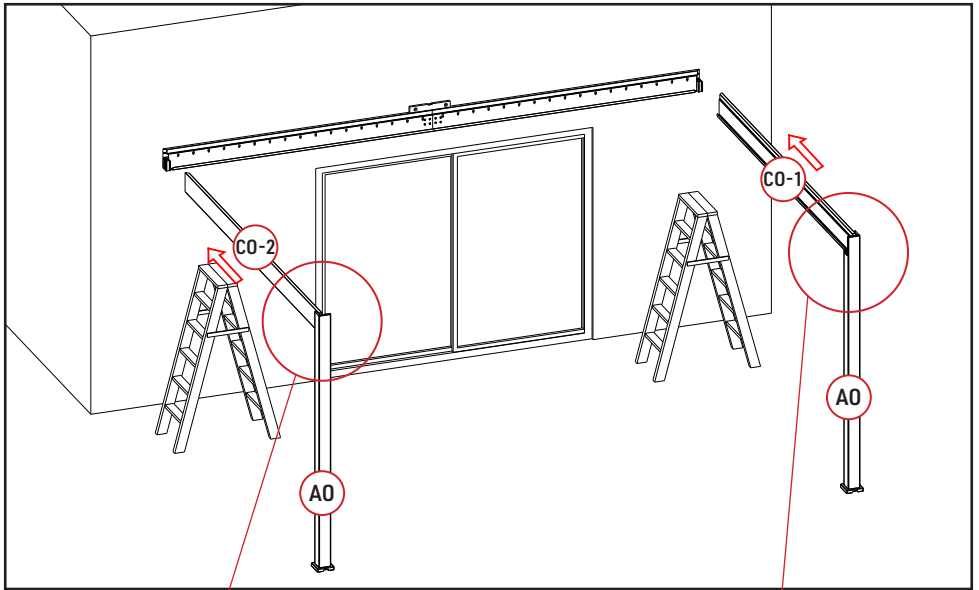


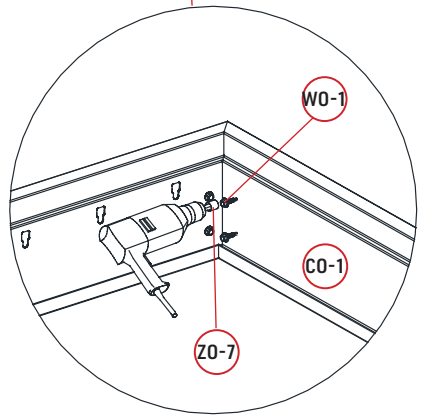
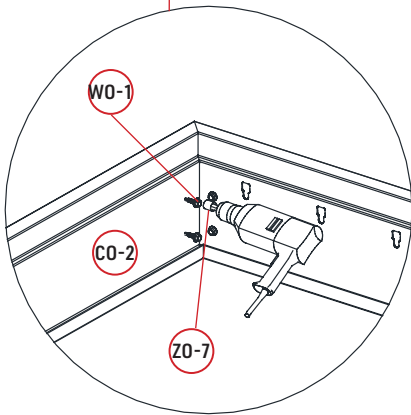
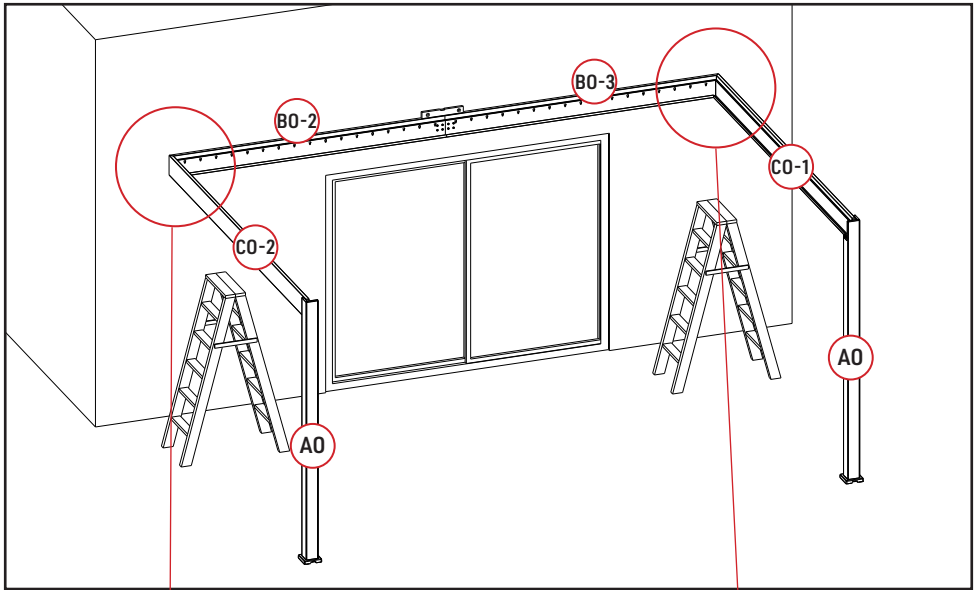


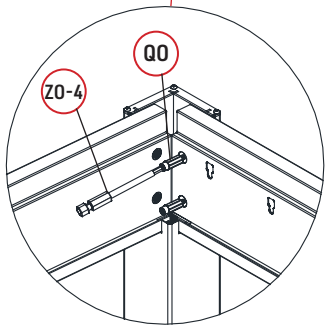
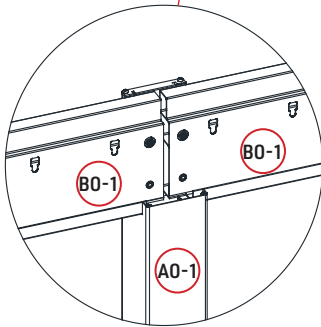
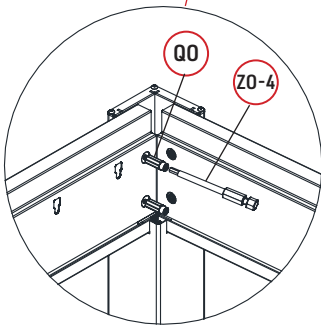
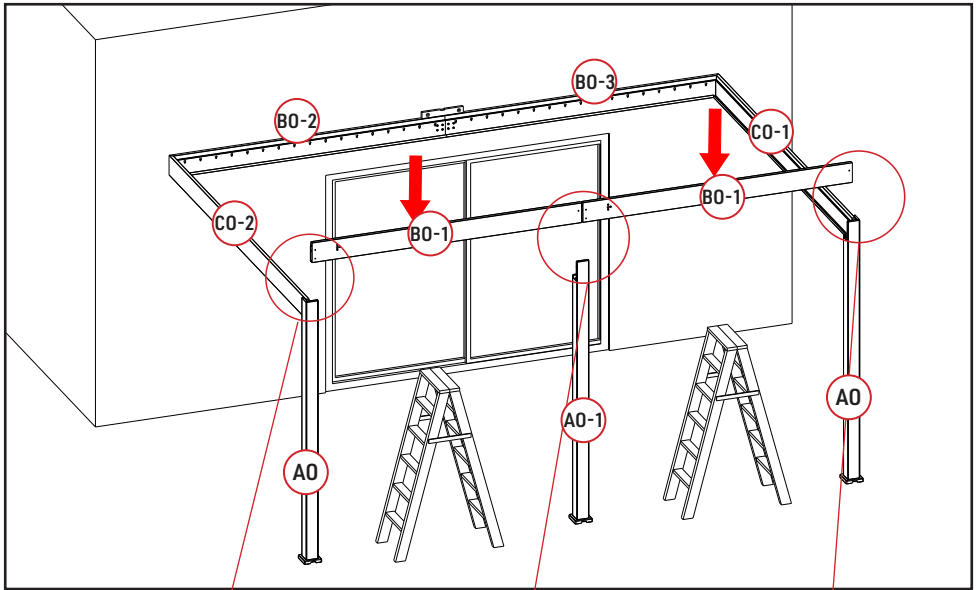


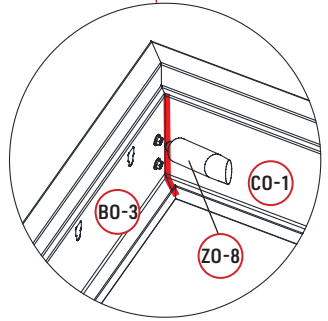
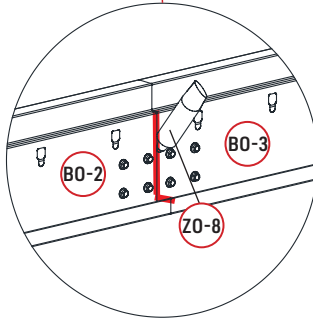
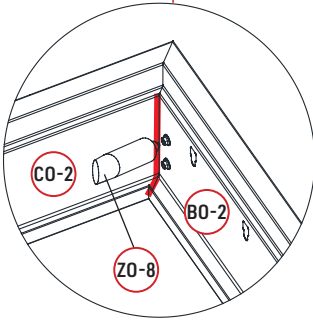
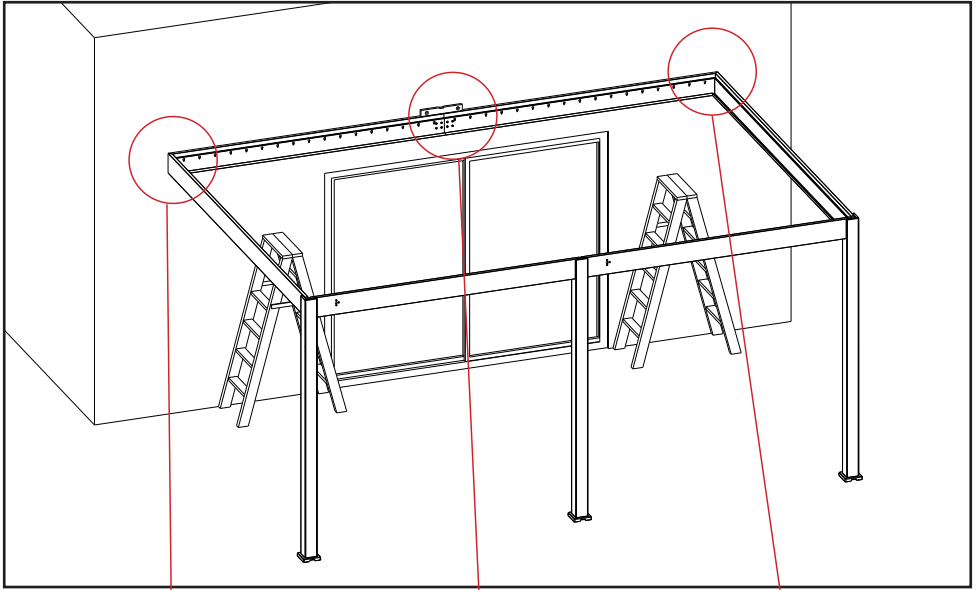


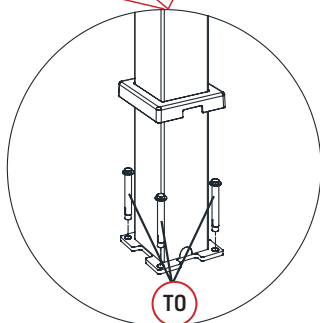
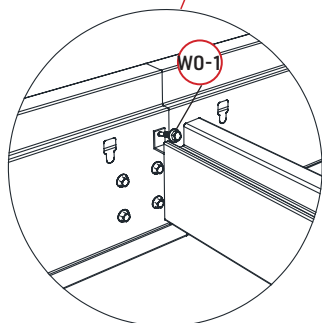
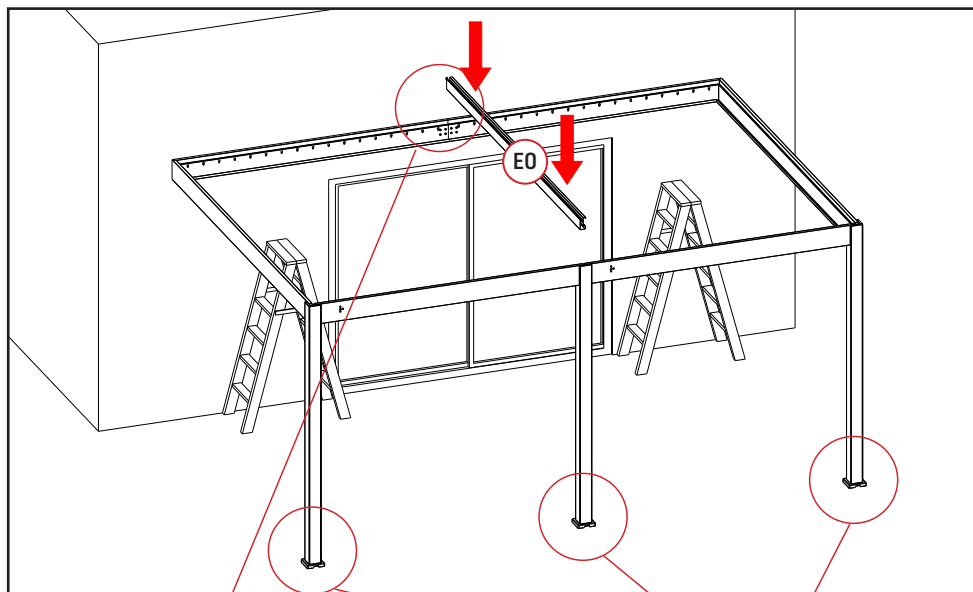
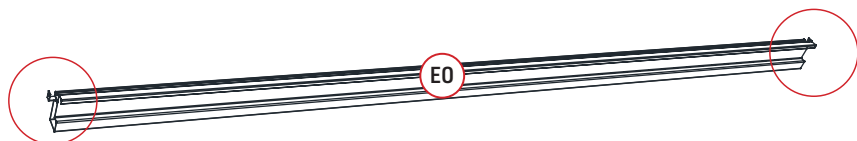
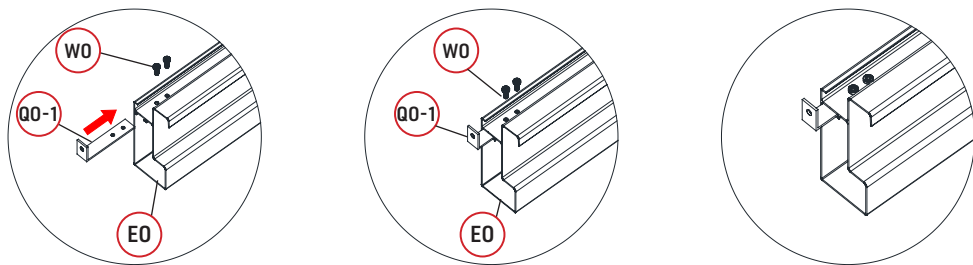




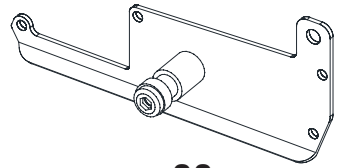
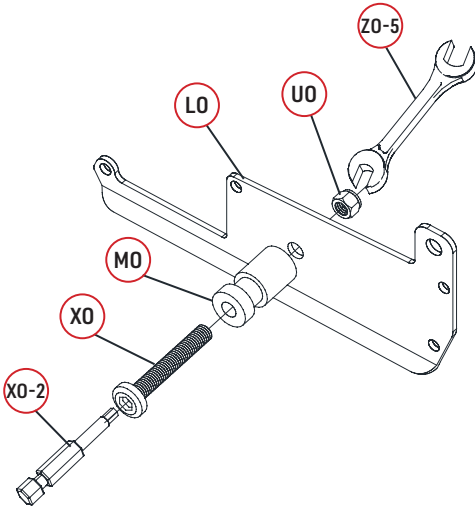
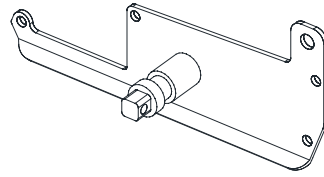




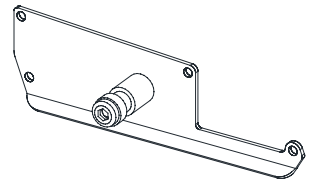
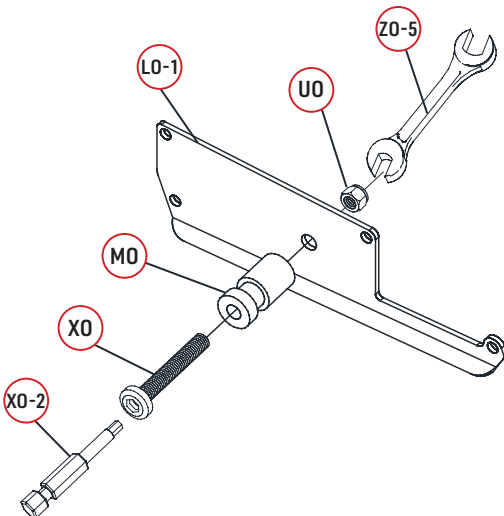




 **K0** ×2

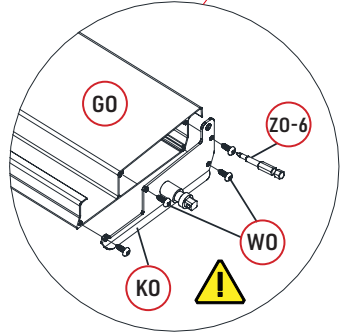
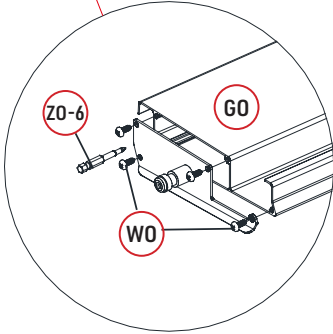


**×32**



**×34**

×2



×34

