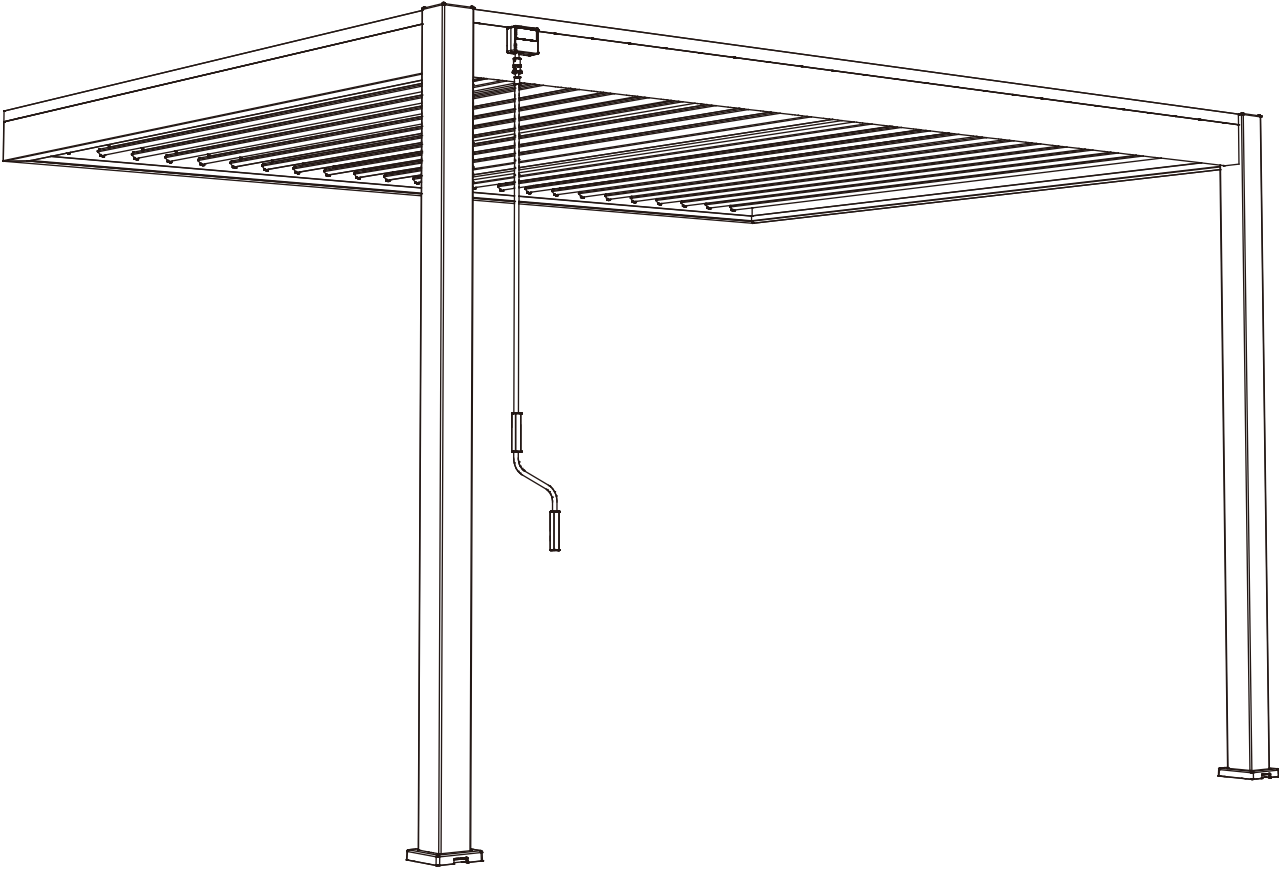

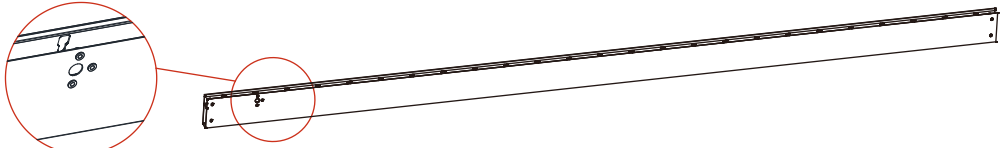
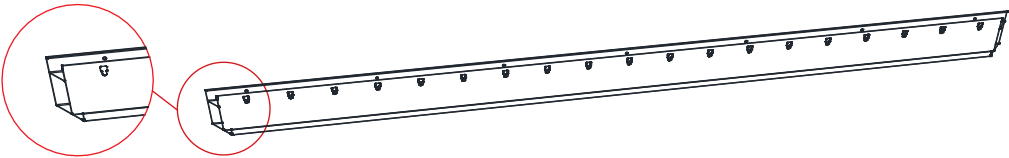
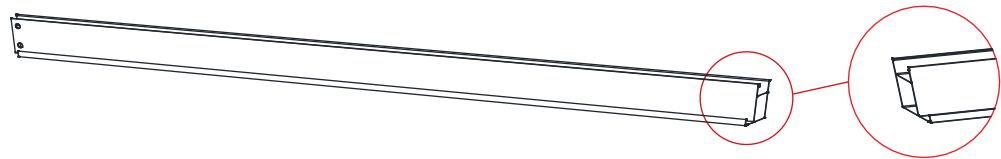
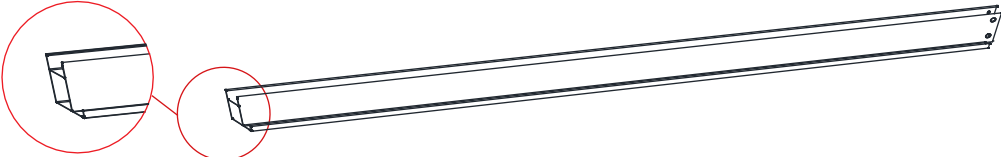
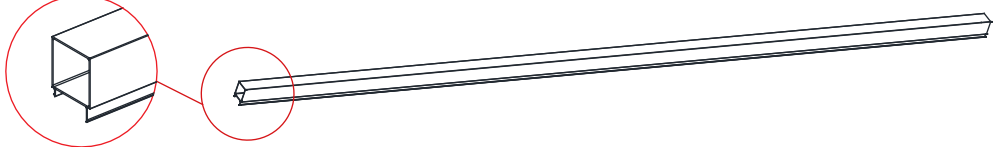
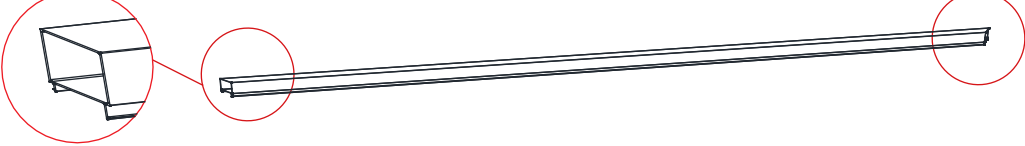
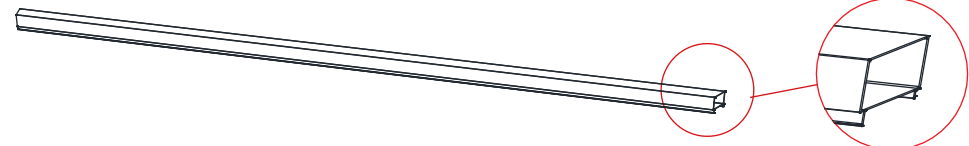
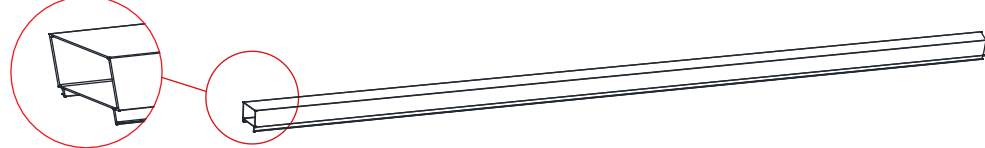



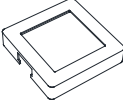
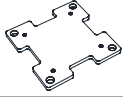
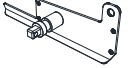
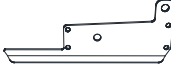



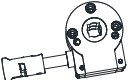
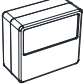




















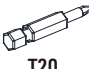


Installation Guide for Pergola 4m x 3m



Carton	RET	QTY		REF	QTY		REF	QTY
1/4	Ⓐ0	2		Ⓘ0	2		⓵0	2
	Ⓣ0	8		×0-1	8			
2/4	Ⓑ0-1	1		Ⓑ0-2	1		Ⓒ0-1	1
	Ⓒ0-2	1		Ⓓ0-1	1		Ⓓ0-2	1
	Ⓓ0-3	1		Ⓓ0-4	1		Ⓕ0	1
	Ⓗ0	1		Ⓛ0-2	2		Ⓝ0	1
	Ⓞ0	1		Ⓟ0	1		Ⓠ0	8
	Ⓡ0	8		Ⓢ0	50		Ⓣ0-1	7
	Ⓤ0	74		Ⓥ0	25		×0	49
	×0-2	8		Ⓨ0	3		Ⓩ0-1	1
	Ⓩ0-2	1		Ⓩ0-3	1		Ⓩ0-4	1
	Ⓩ0-5	1		Ⓩ0-6	1		Ⓩ0-7	1
	Ⓩ0-8	1						
3/4	Ⓖ0	12		Ⓚ0	1		Ⓛ0	24
	Ⓛ0-1	25		Ⓜ0	49		Ⓦ0	200
4/4	Ⓖ0	13						

REF	PICTURE	QTY
A0		2PCS
B0-1		1PCS
B0-2		1PCS
C0-1		1PCS
C0-2		1PCS
D0-1		1PCS
D0-2		1PCS
D0-3		1PCS
D0-4		1PCS
F0		1PCS
G0		19PCS
H0		1PCS

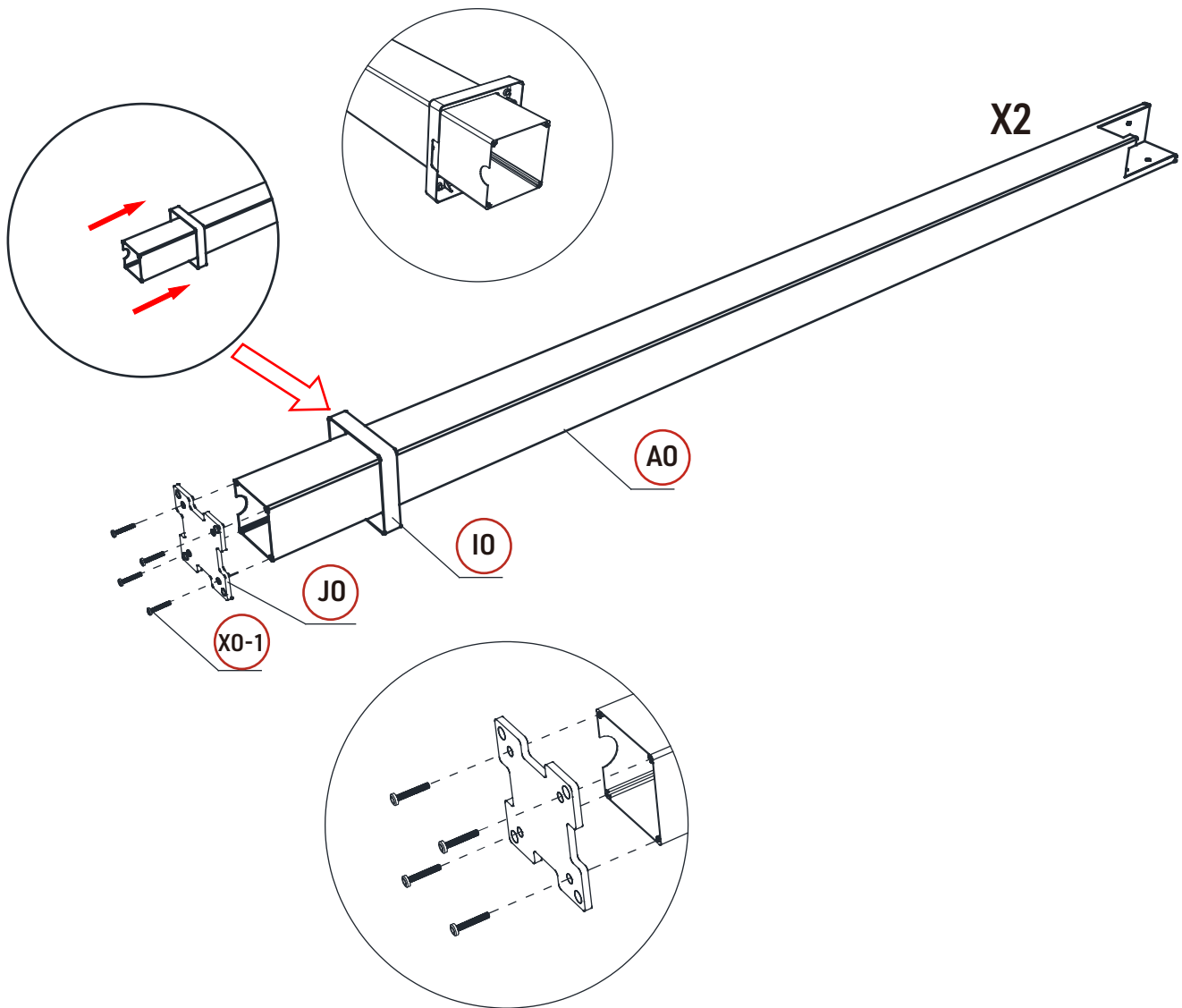
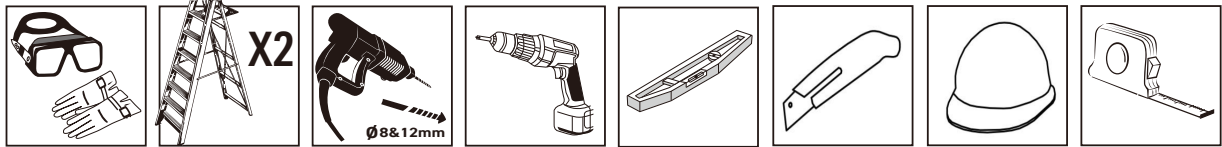
REF	PICTURE	QTY
IO		2PCS
JO		2PCS
KO		1PCS
LO		24PCS
LO-1		25PCS
LO-2		2PCS
MO		49PCS
NO		1PCS
OO		1PCS
PO		1PCS
QO		8PCS
RO		8PCS
SO		50PCS
TO	 10X80	8PCS
TO-1	 8X100	7PCS

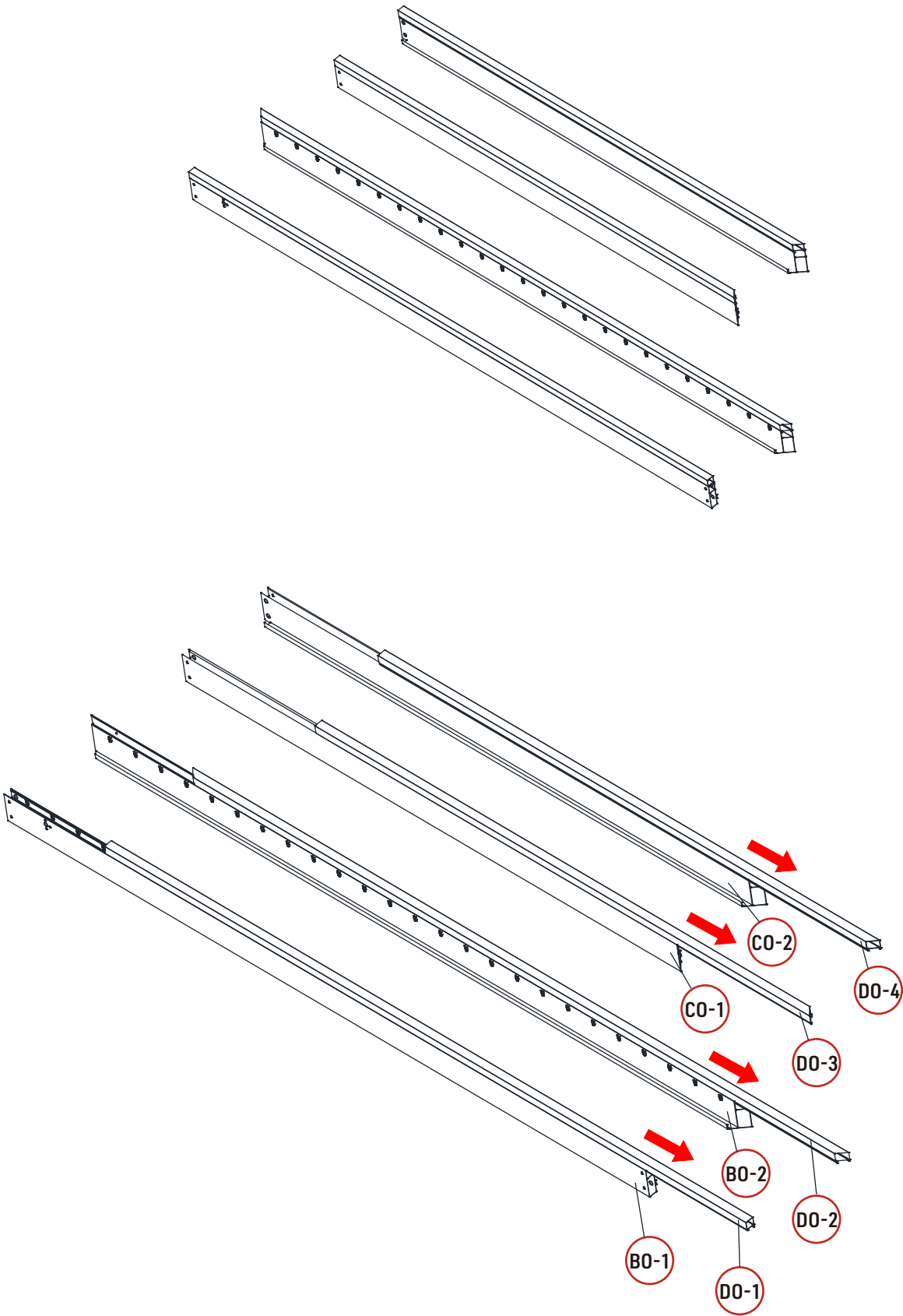
REF	PICTURE	QTY
UO		74PCS
VO		25PCS
WO	 4X16	200PCS
XO	 6X40	49PCS
XO-1	 6X35	8 PCS
XO-2	 5X19	8 PCS
YO	 6X45	3PCS
ZO-1	 4mm	1PCS
ZO-2	 4mm	1PCS
ZO-3	 6mm	1PCS
ZO-4	 6mm	1PCS
ZO-5	 10mm	1PCS
ZO-6	 T20	1PCS
ZO-7		1PCS
ZO-8		1PCS

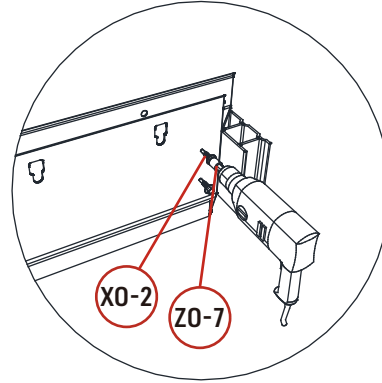
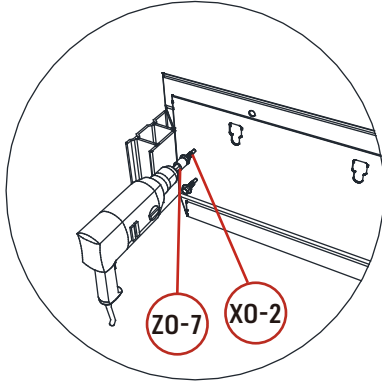
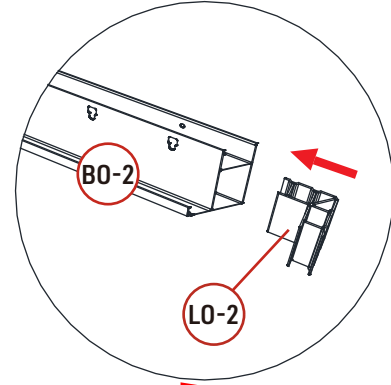
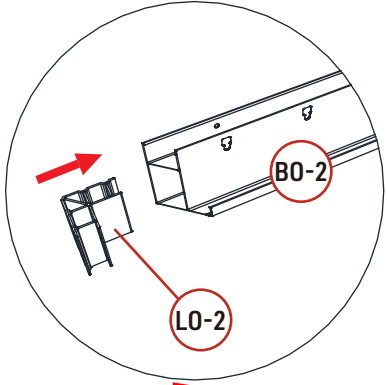
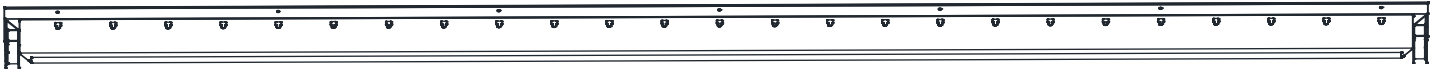
ATTENTION!!!

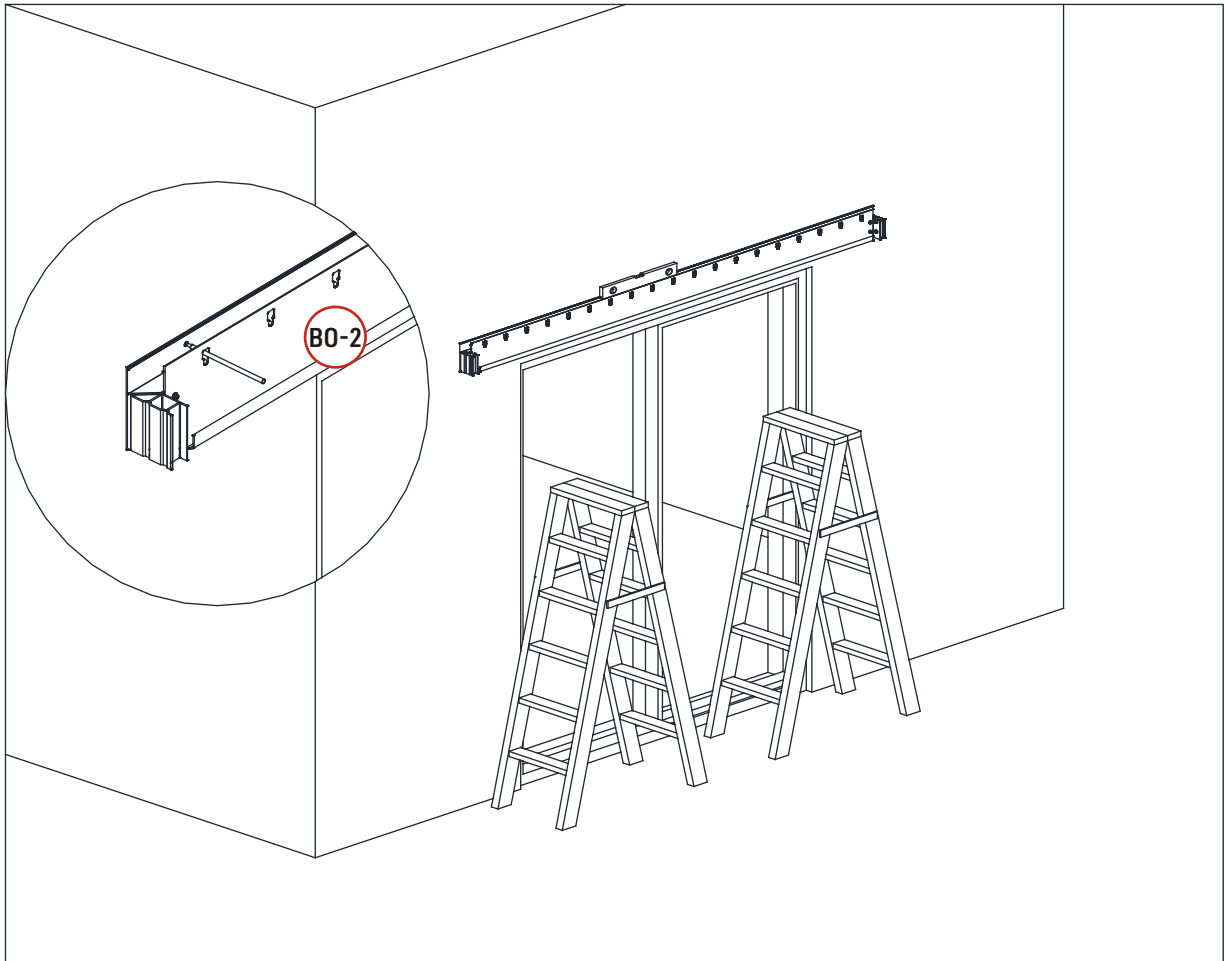
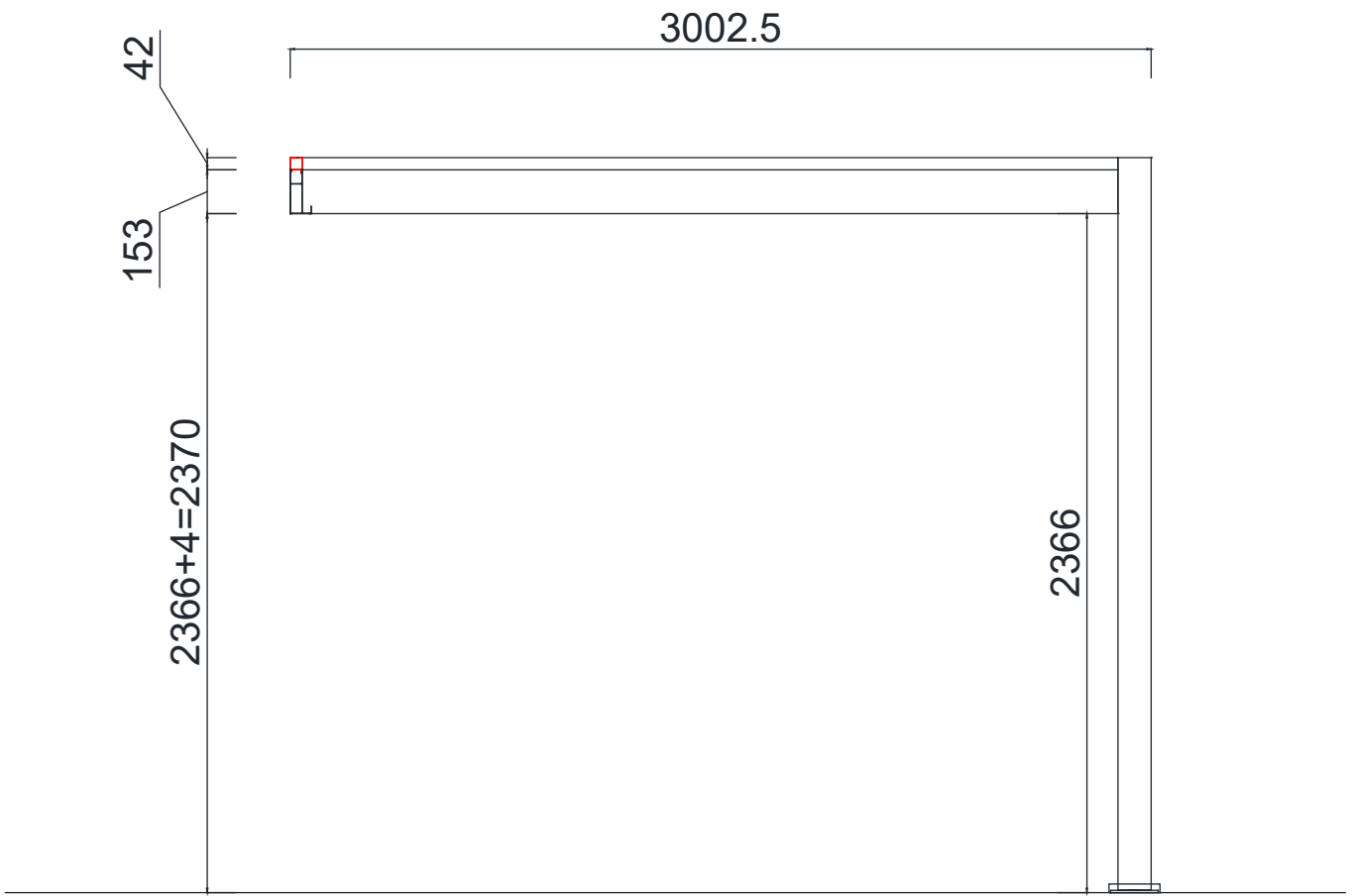
Please open the louvers to vertical in winter and snowing weather to protect your pergola!

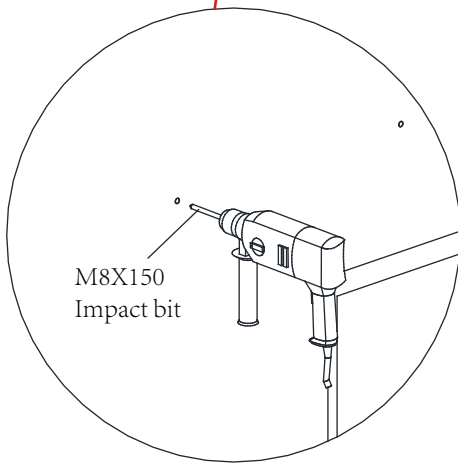
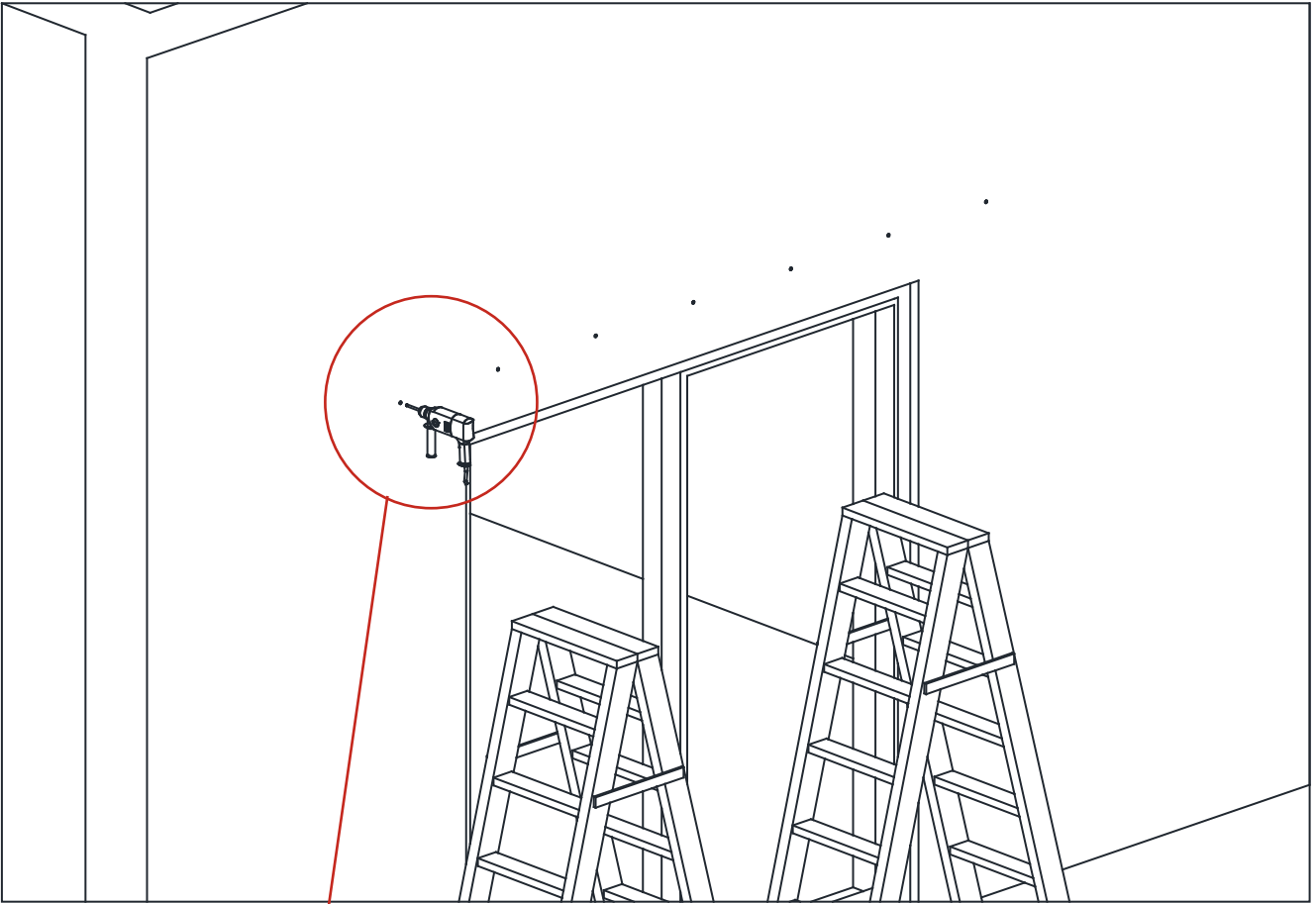
Tools Required for Installation

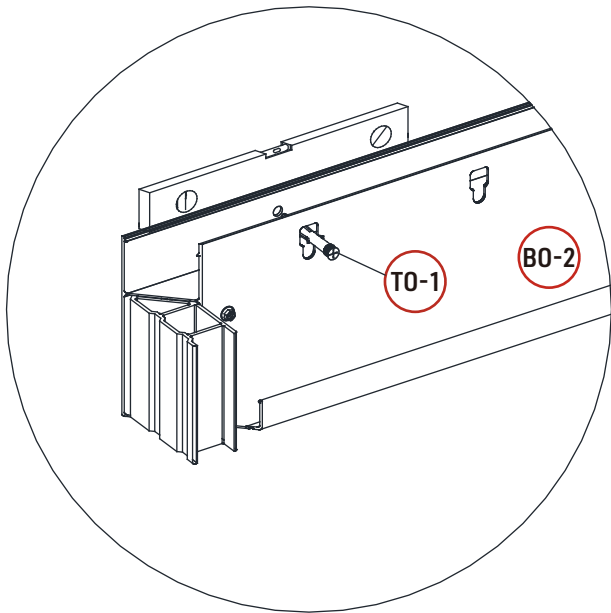
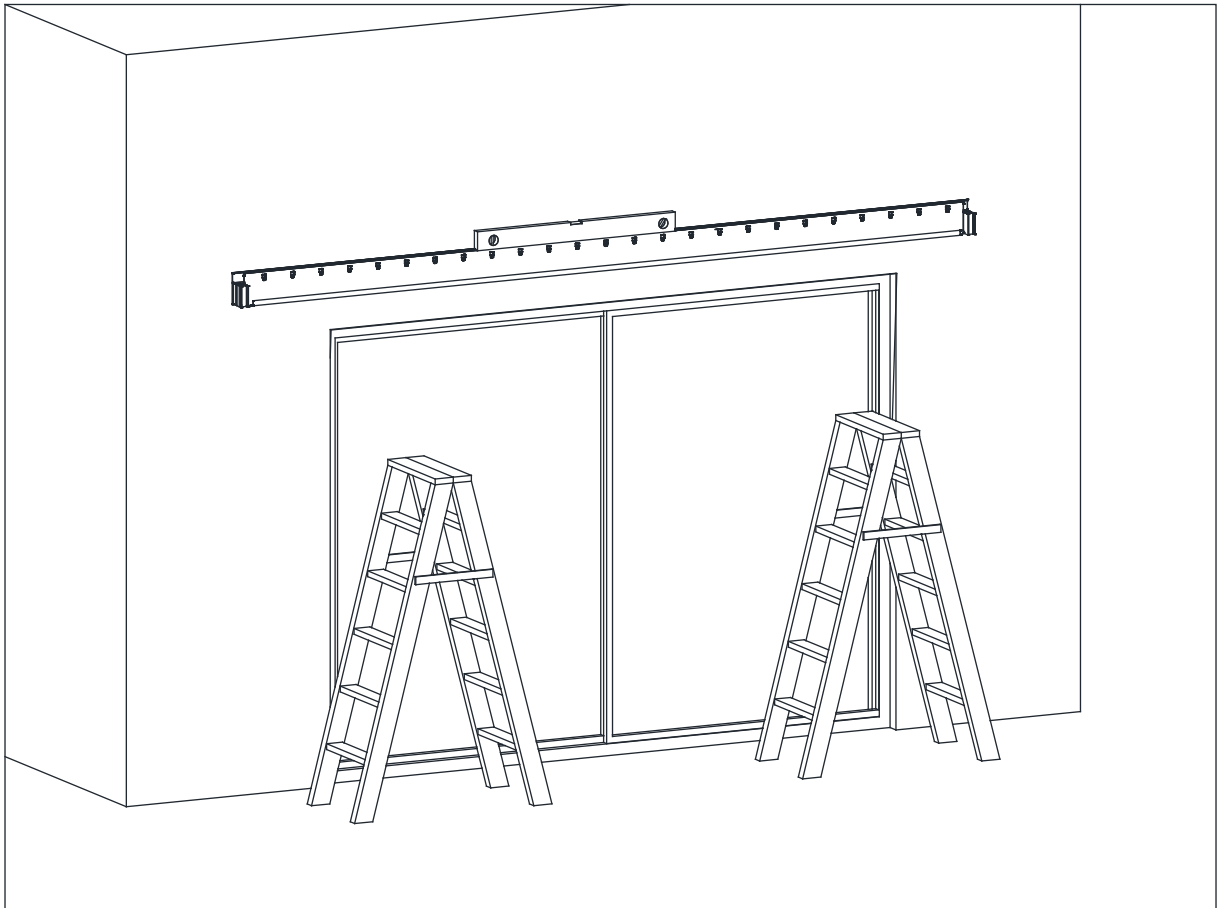


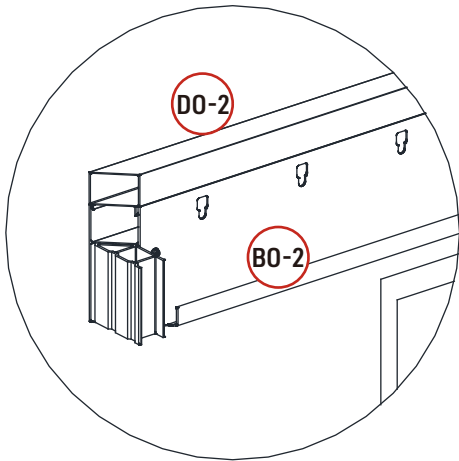
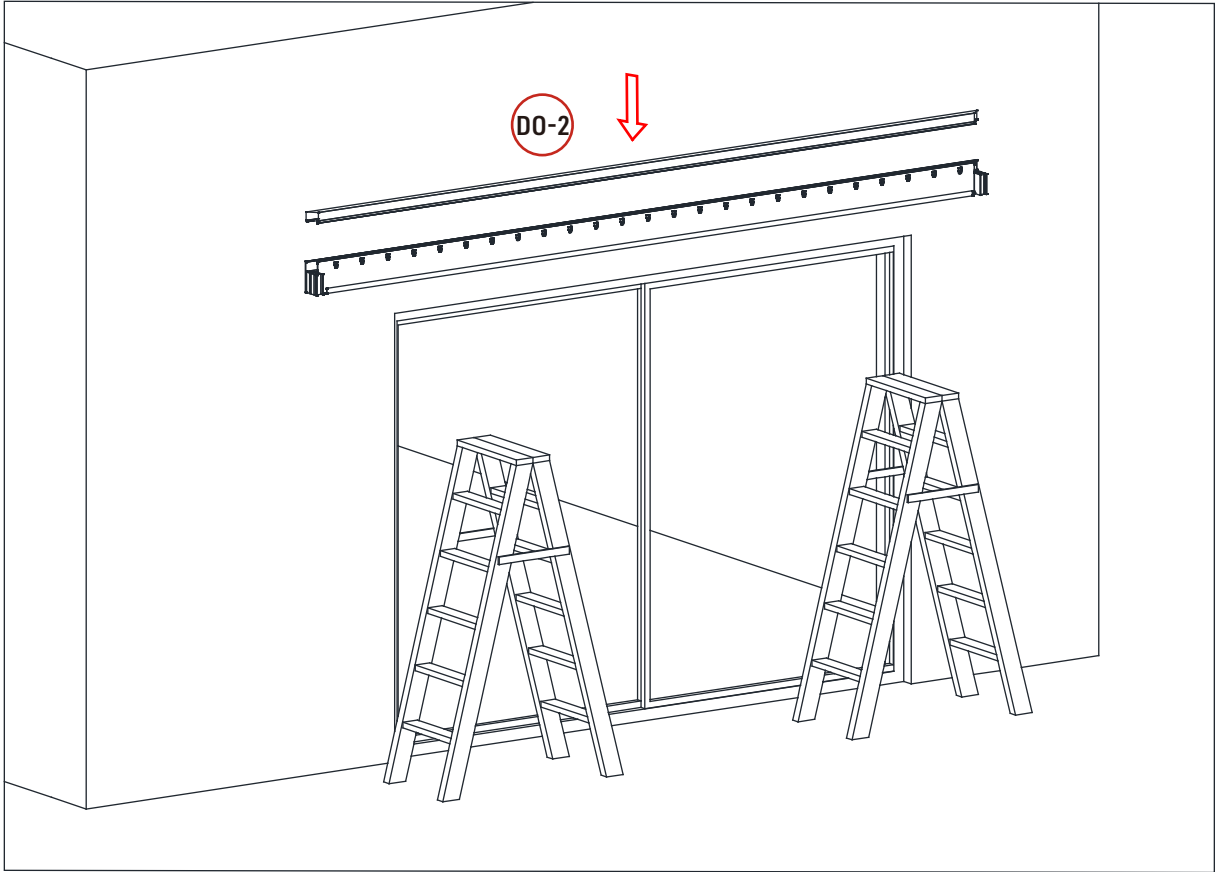


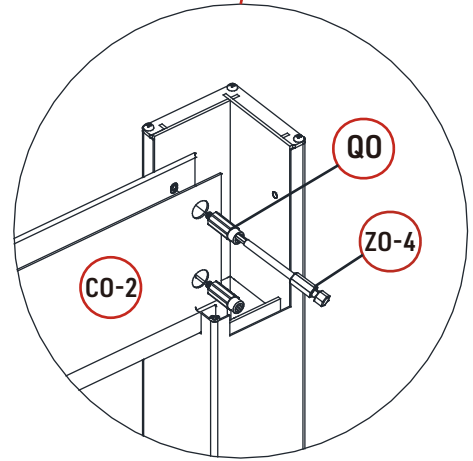
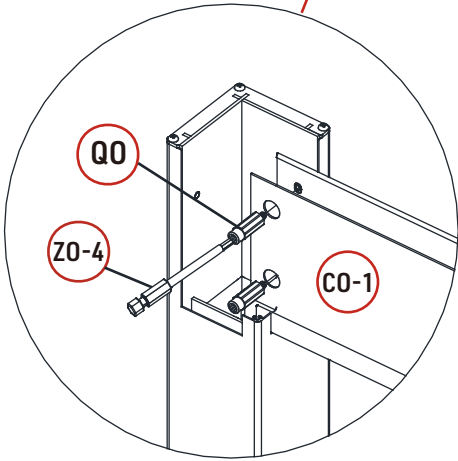
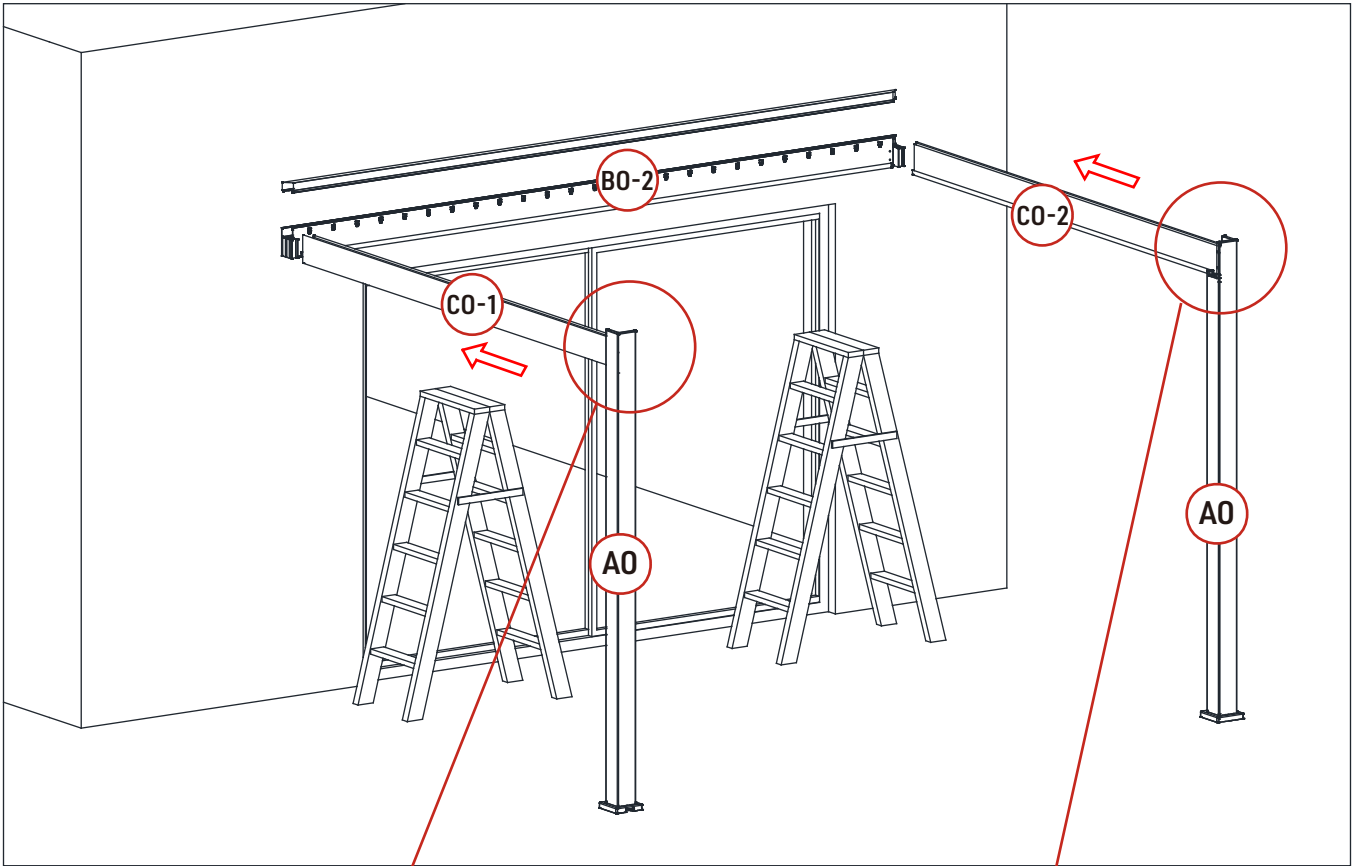


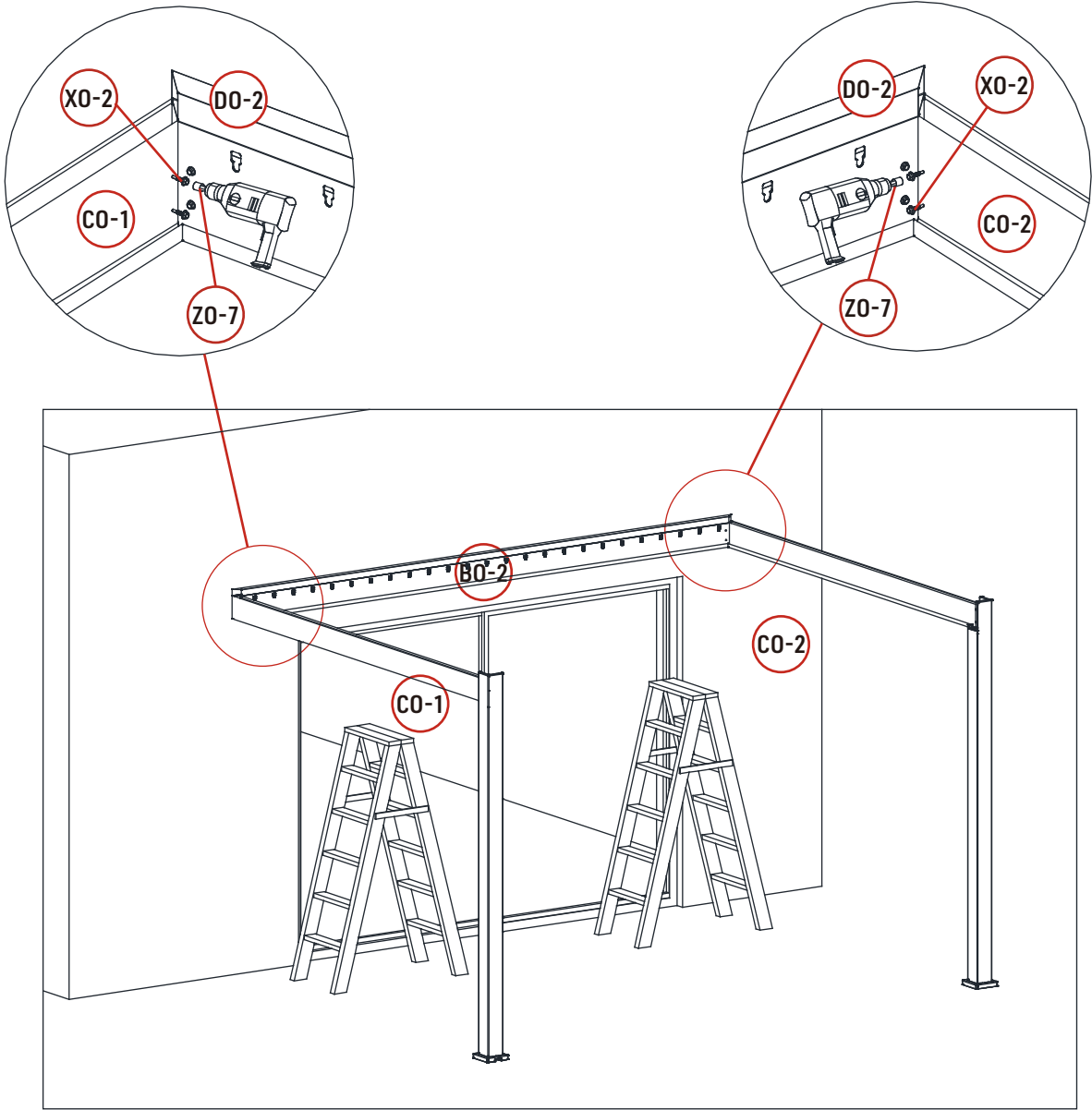


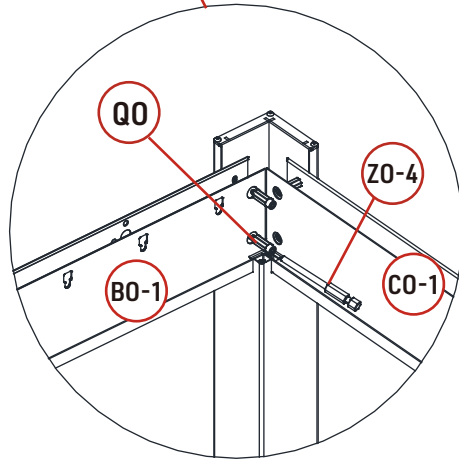
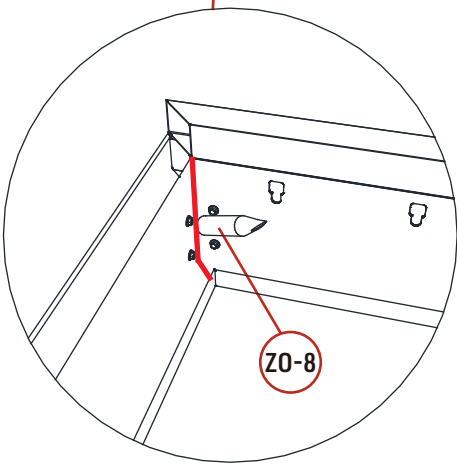
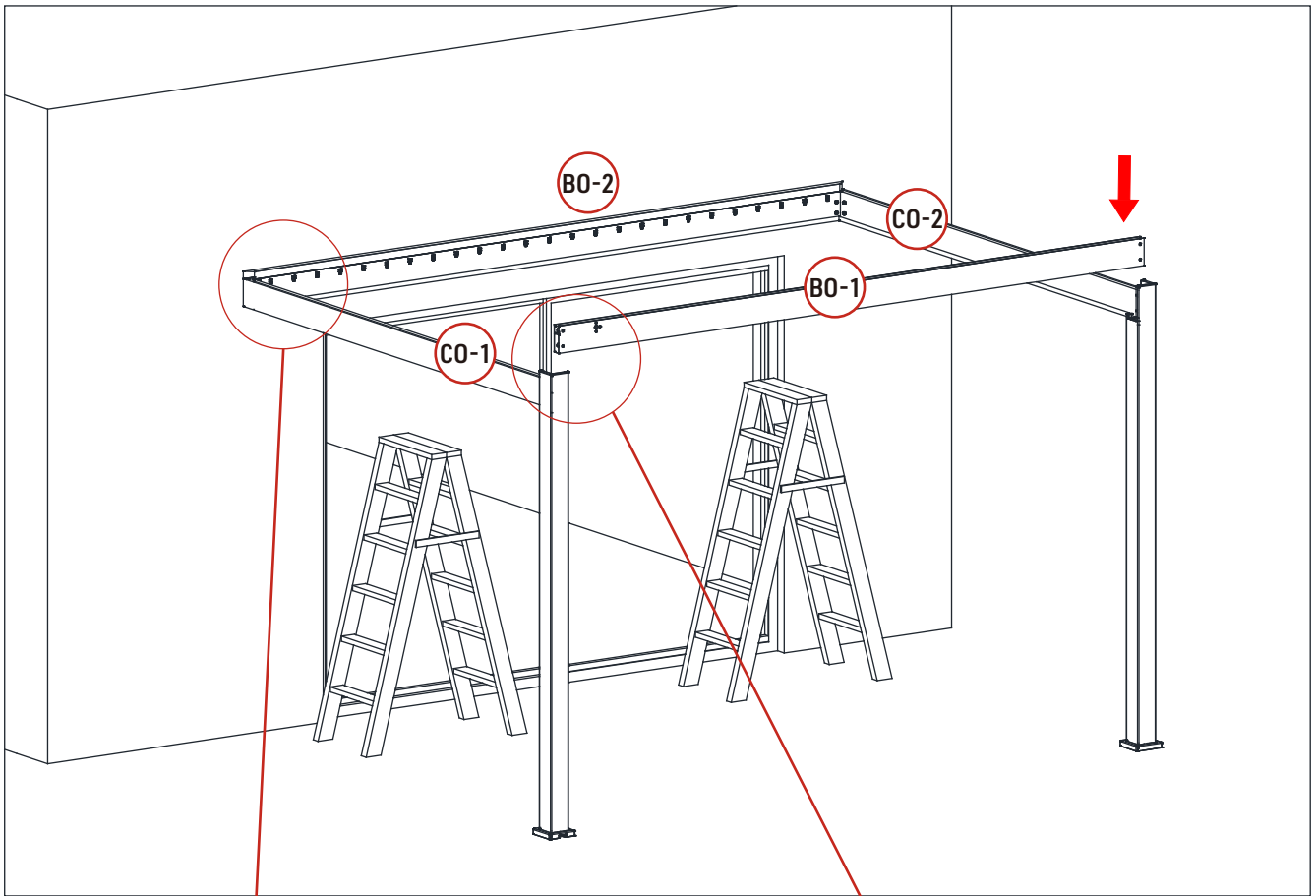


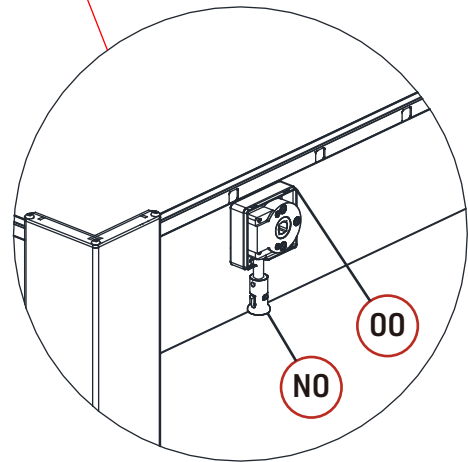
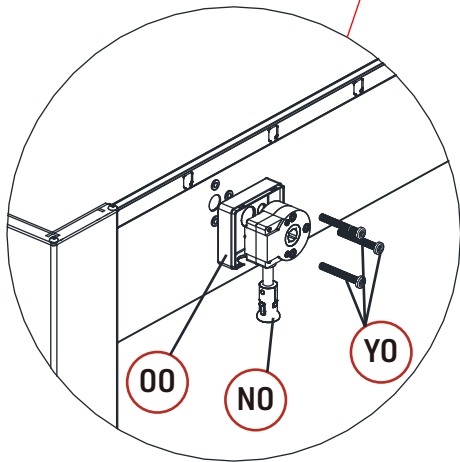
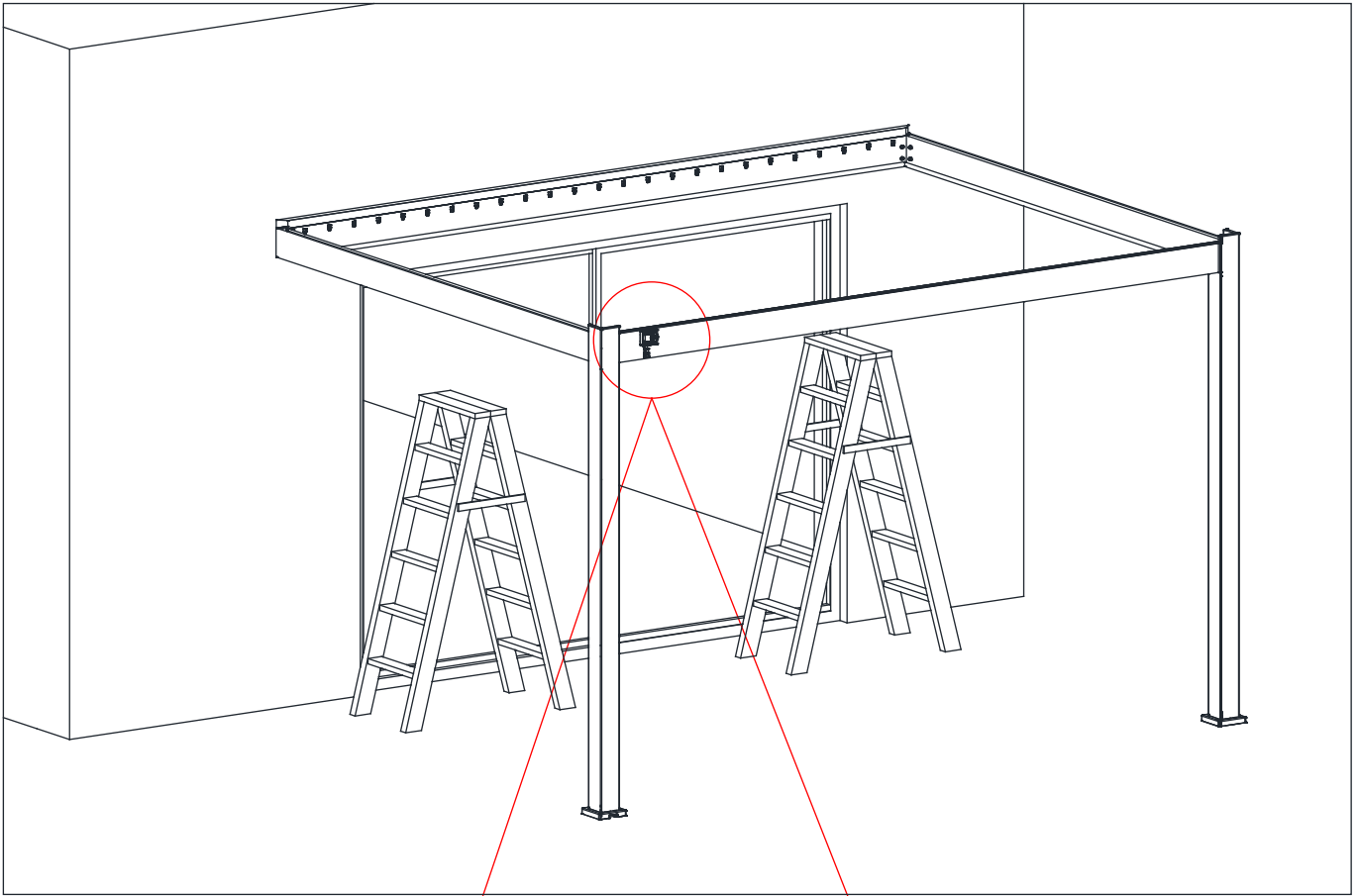


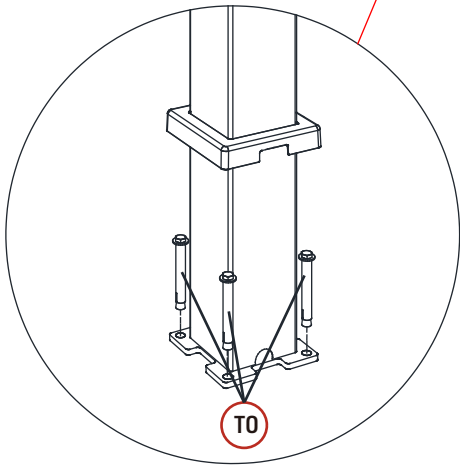
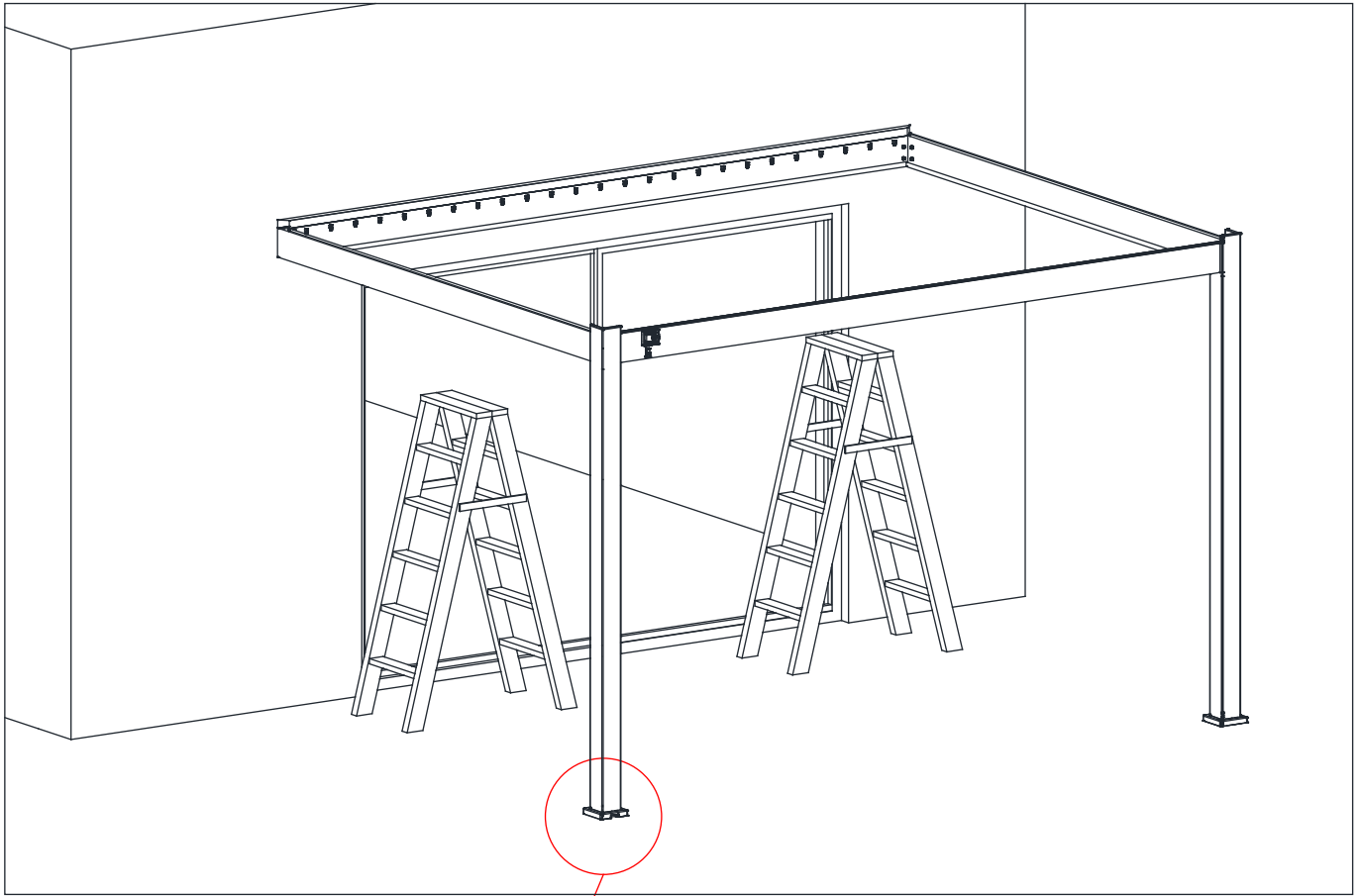




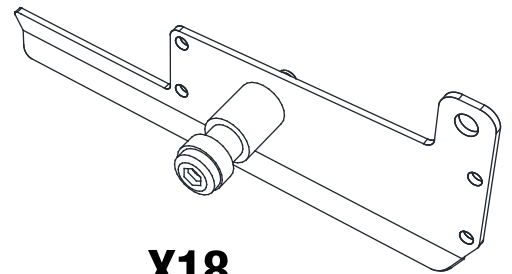
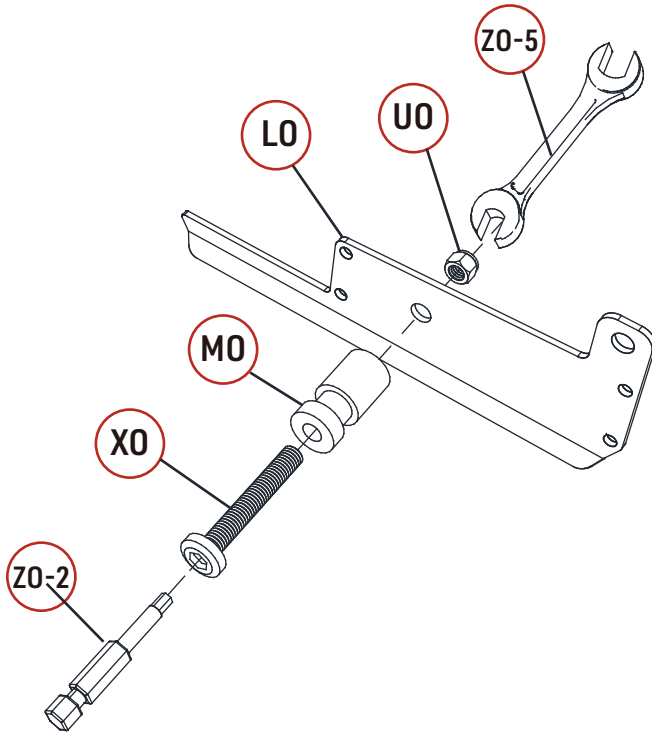
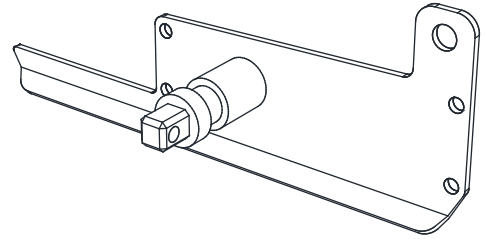




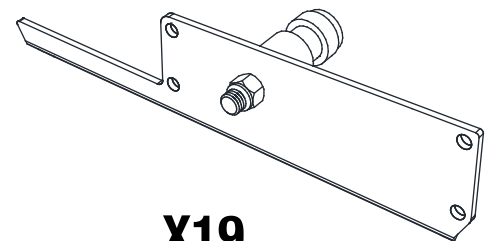
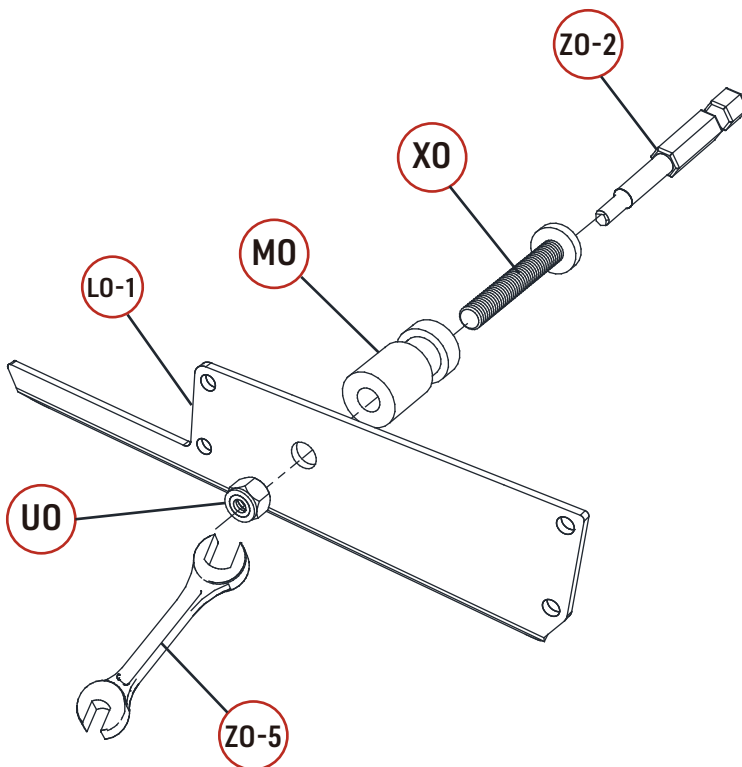




  **X1**

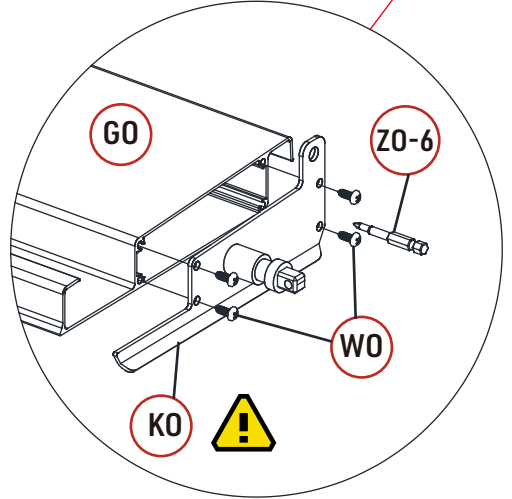
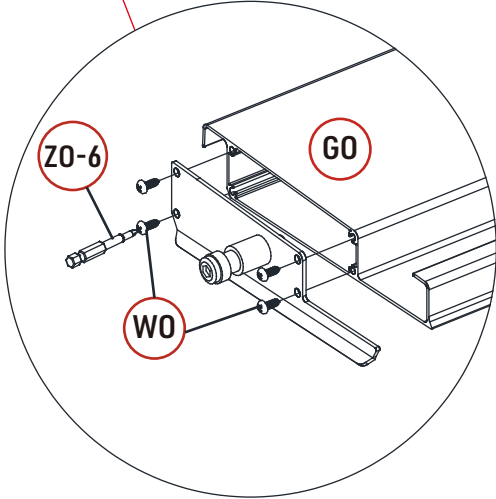
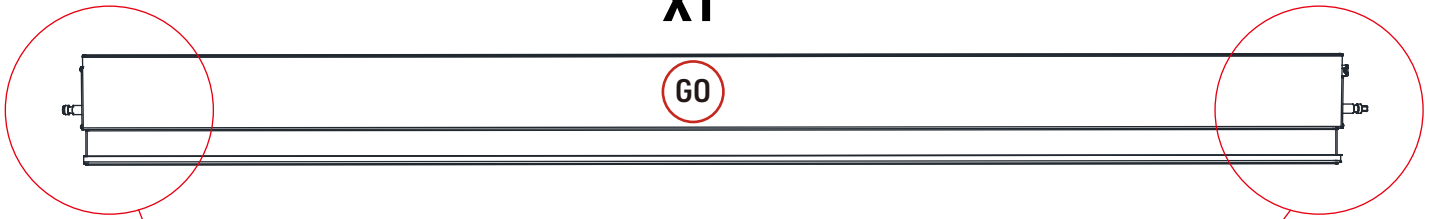


X18



X19

X1



X18

