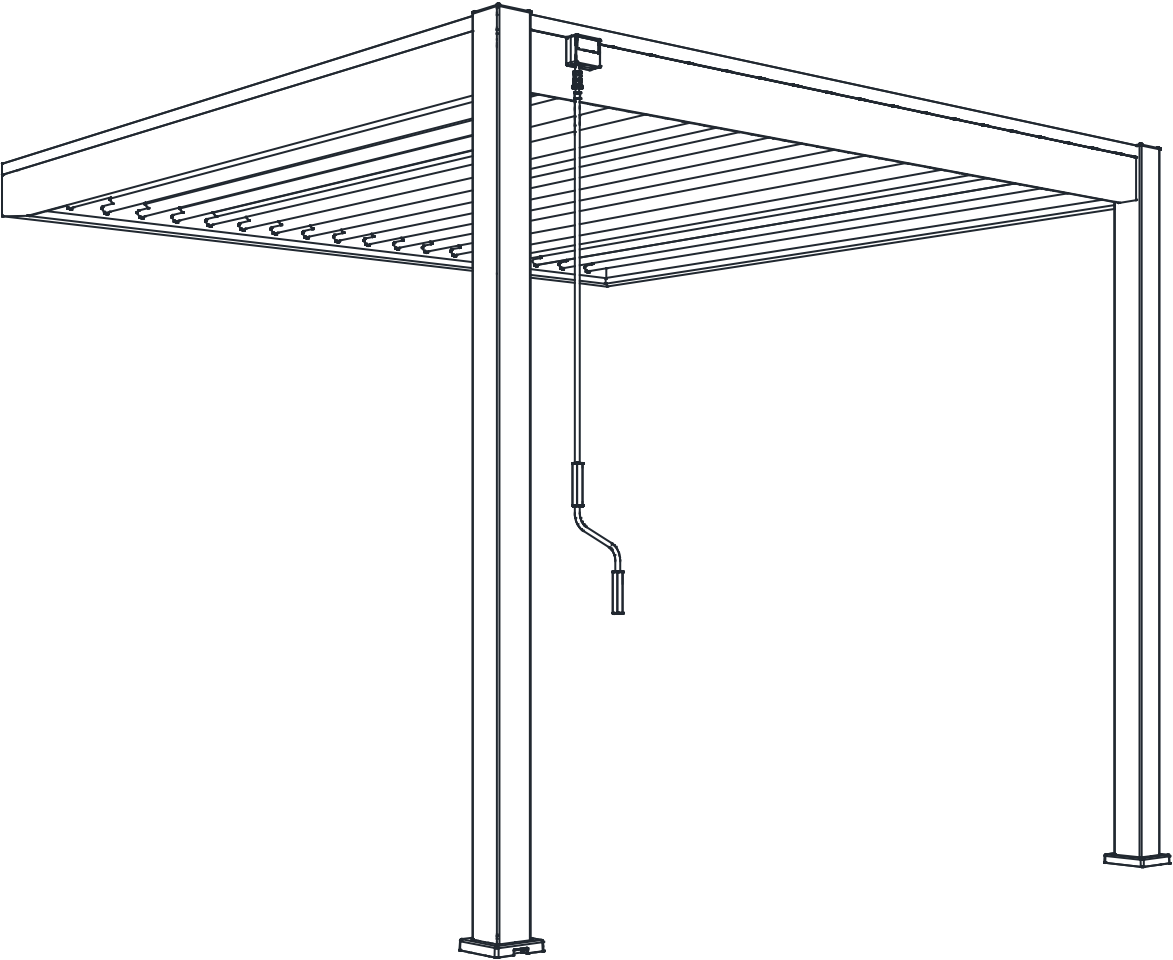


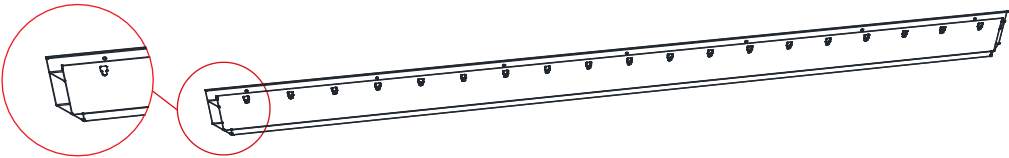
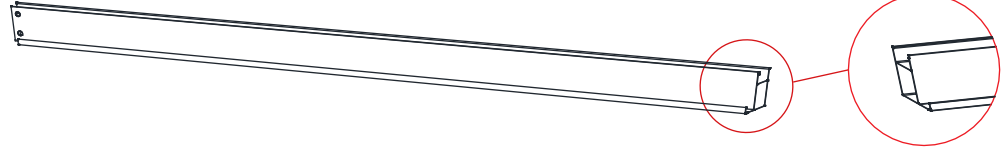
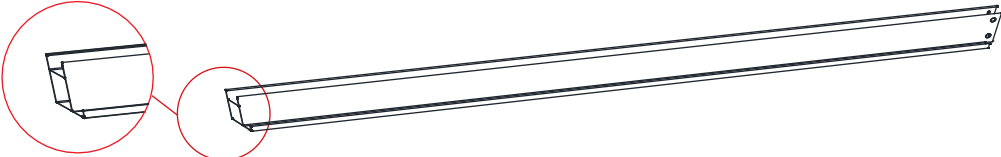
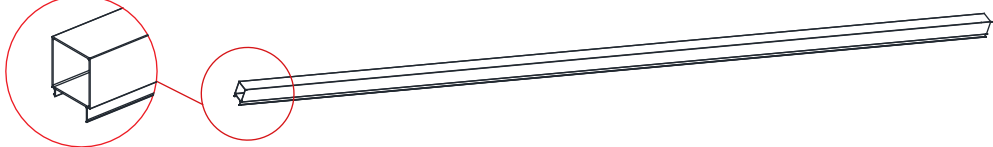
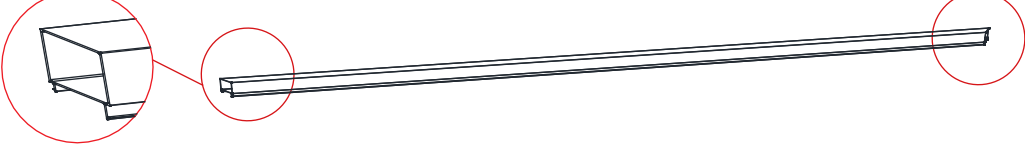
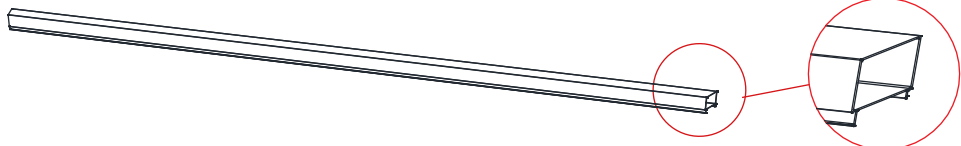
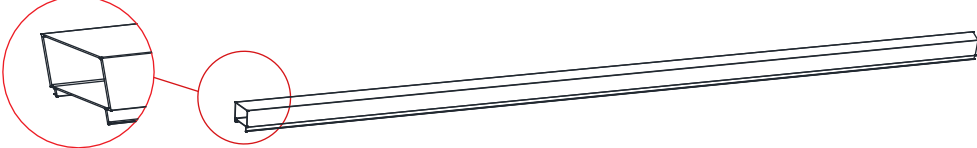



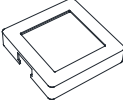
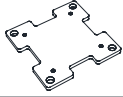
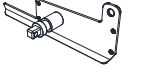
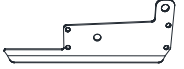



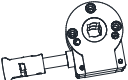
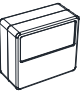




















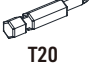


Installation Guide for Pergola 3m x 3m



Carton	RET	QTY		REF	QTY		REF	QTY
1/4	AO	2		IO	2		JO	2
	TO	8		XO-1	8			
2/4	BO-1	1		BO-2	1		CO-1	1
	CO-2	1		DO-1	1		DO-2	1
	DO-3	1		DO-4	1		FO	1
	HO	1		LO-2	2		NO	1
	OO	1		PO	1		QO	8
	RO	8		SO	38		TO-1	7
	UO	56		VO	19		XO	37
	XO-2	8		YO	3		ZO-1	1
	ZO-2	1		ZO-3	1		ZO-4	1
	ZO-5	1		ZO-6	1		ZO-7	1
	ZO-8	1						
3/4	GO	9		KO	1		LO	18
	LO-1	19		MO	37		WO	152
4/4	GO	10						

REF	PICTURE	QTY
A0		2PCS
B0-1		1PCS
B0-2		1PCS
C0-1		1PCS
C0-2		1PCS
D0-1		1PCS
D0-2		1PCS
D0-3		1PCS
D0-4		1PCS
F0		1PCS
G0		19PCS
H0		1PCS

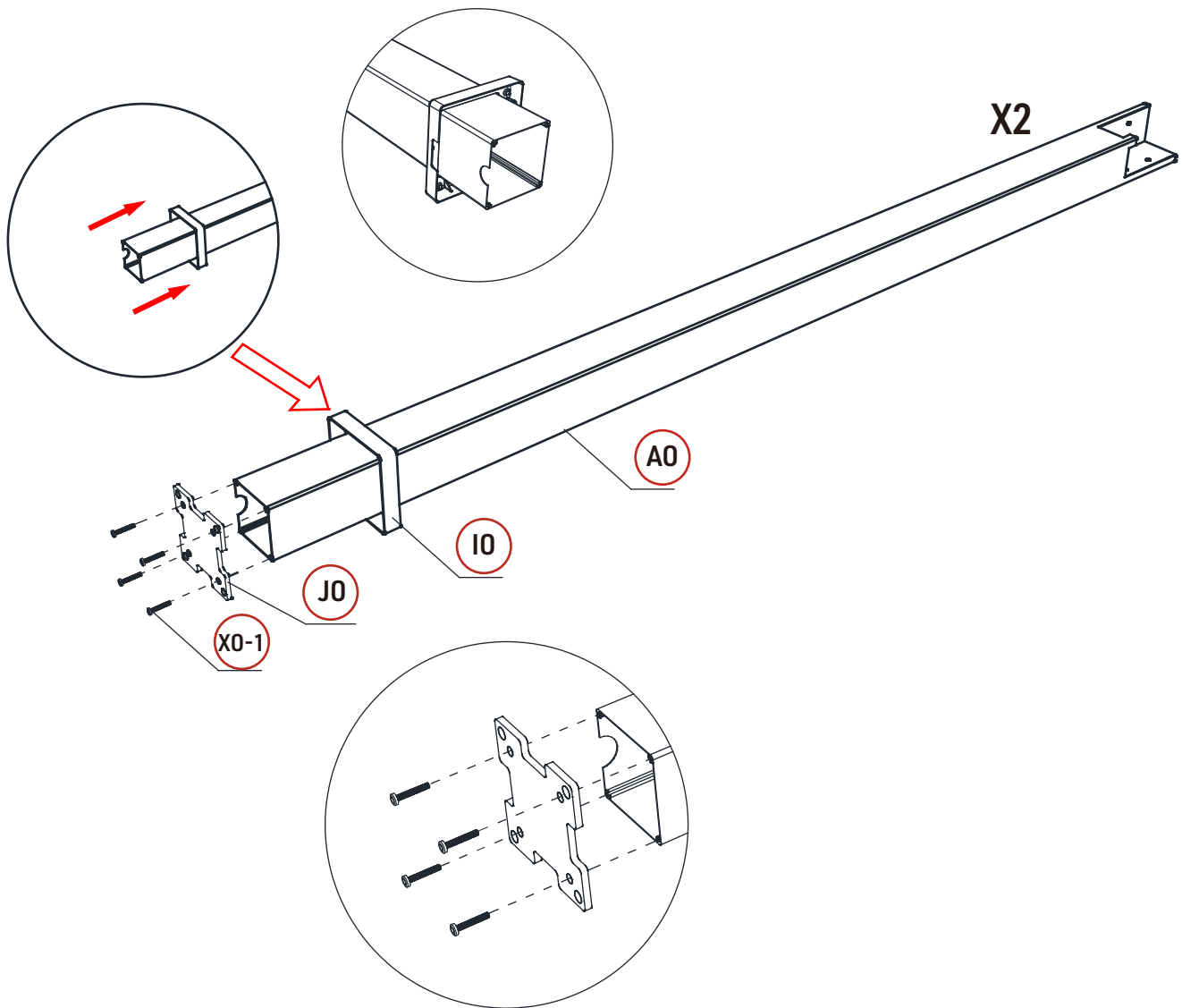
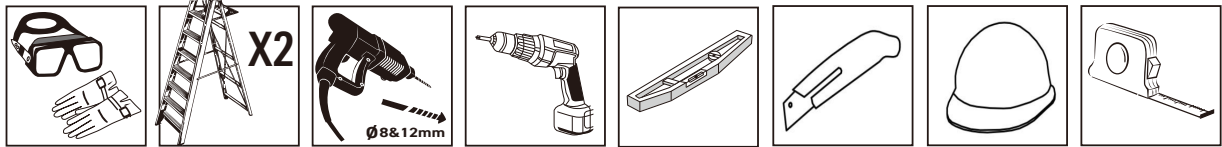
REF	PICTURE	QTY
IO		2PCS
JO		2PCS
KO		1PCS
LO		18PCS
LO-1		19PCS
LO-2		2PCS
MO		37PCS
NO		1PCS
OO		1PCS
PO		1PCS
QO		8PCS
RO		8PCS
SO		38PCS
TO	 10X80	8PCS
TO-1	 8X100	7PCS

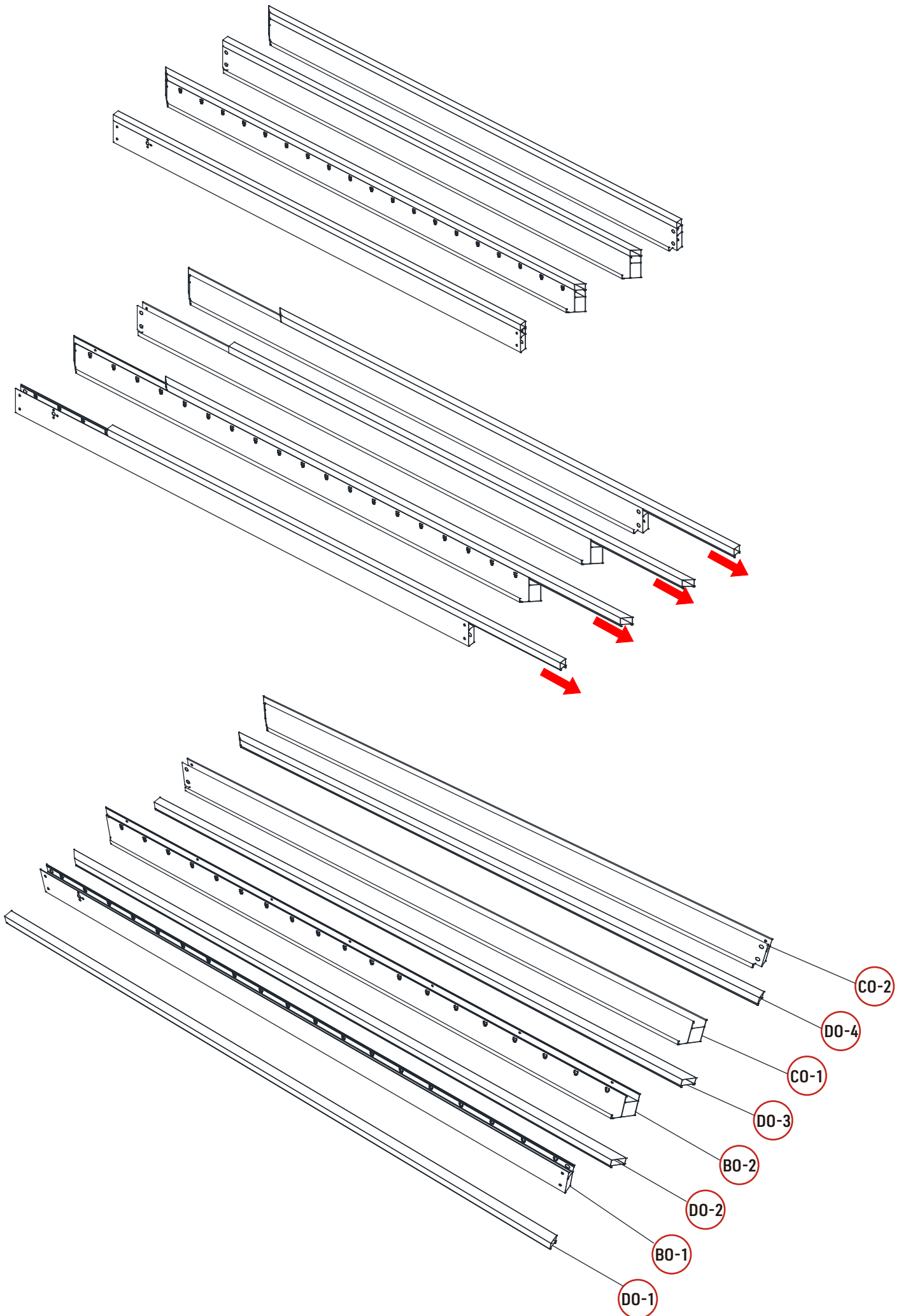
REF	PICTURE	QTY
UO		56PCS
VO		19PCS
WO	 4X16	152PCS
XO	 6X40	37PCS
XO-1	 6X35	8 PCS
XO-2	 5X19	8 PCS
YO	 6X45	3PCS
ZO-1	 4mm	1PCS
ZO-2	 4mm	1PCS
ZO-3	 6mm	1PCS
ZO-4	 6mm	1PCS
ZO-5	 10mm	1PCS
ZO-6	 T20	1PCS
ZO-7		1PCS
ZO-8		1PCS

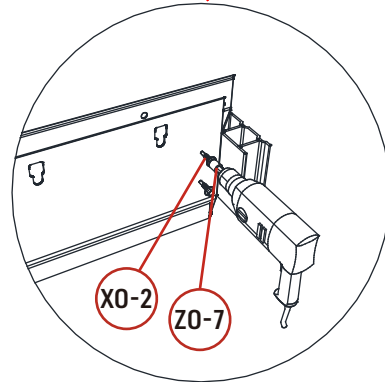
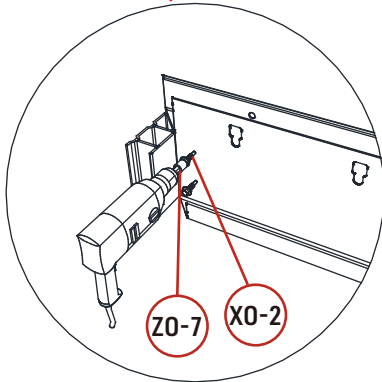
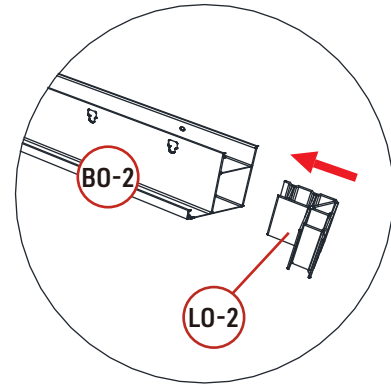
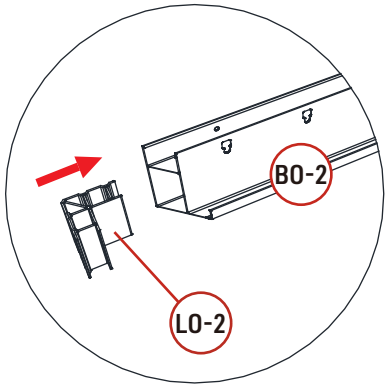
ATTENTION!!!

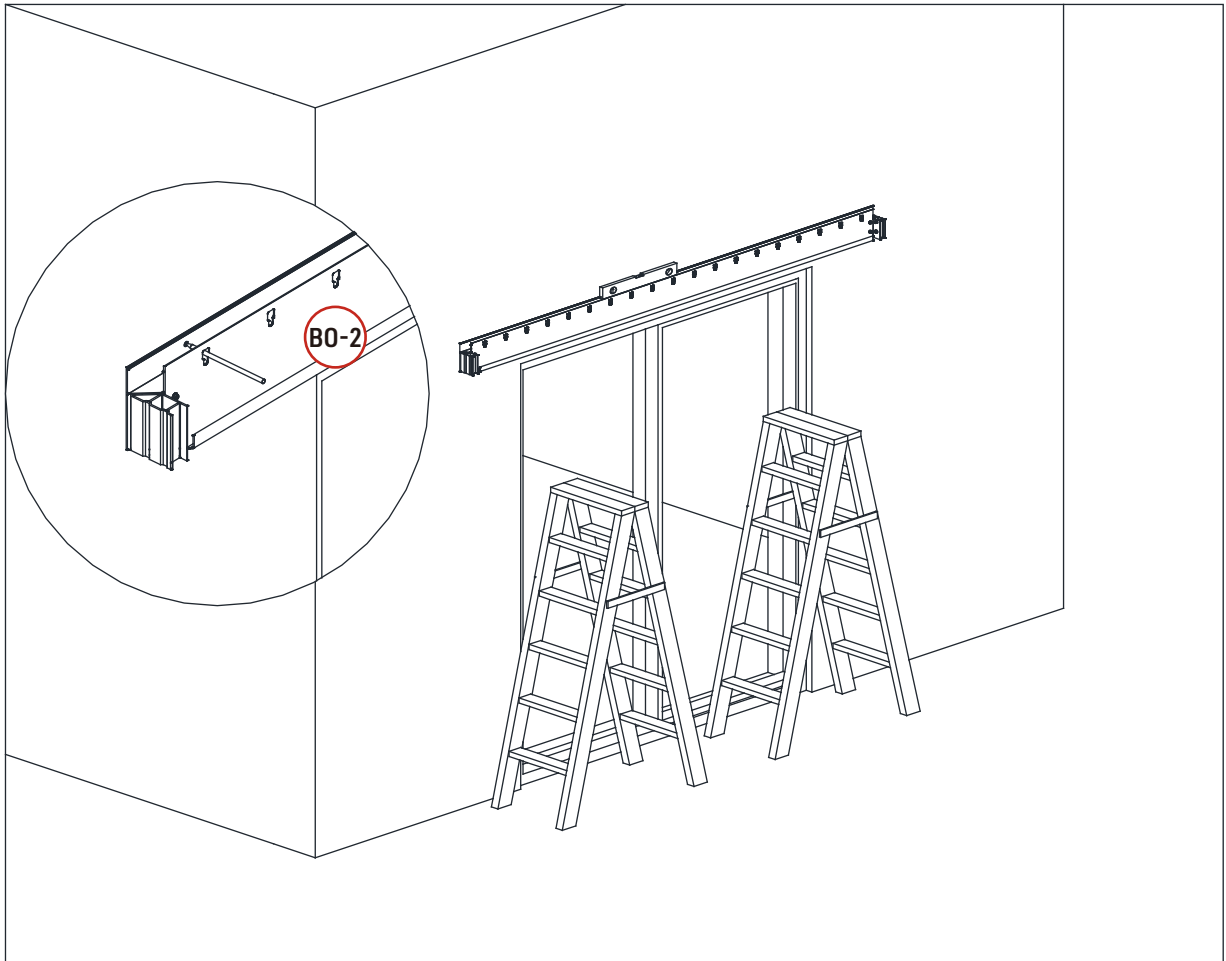
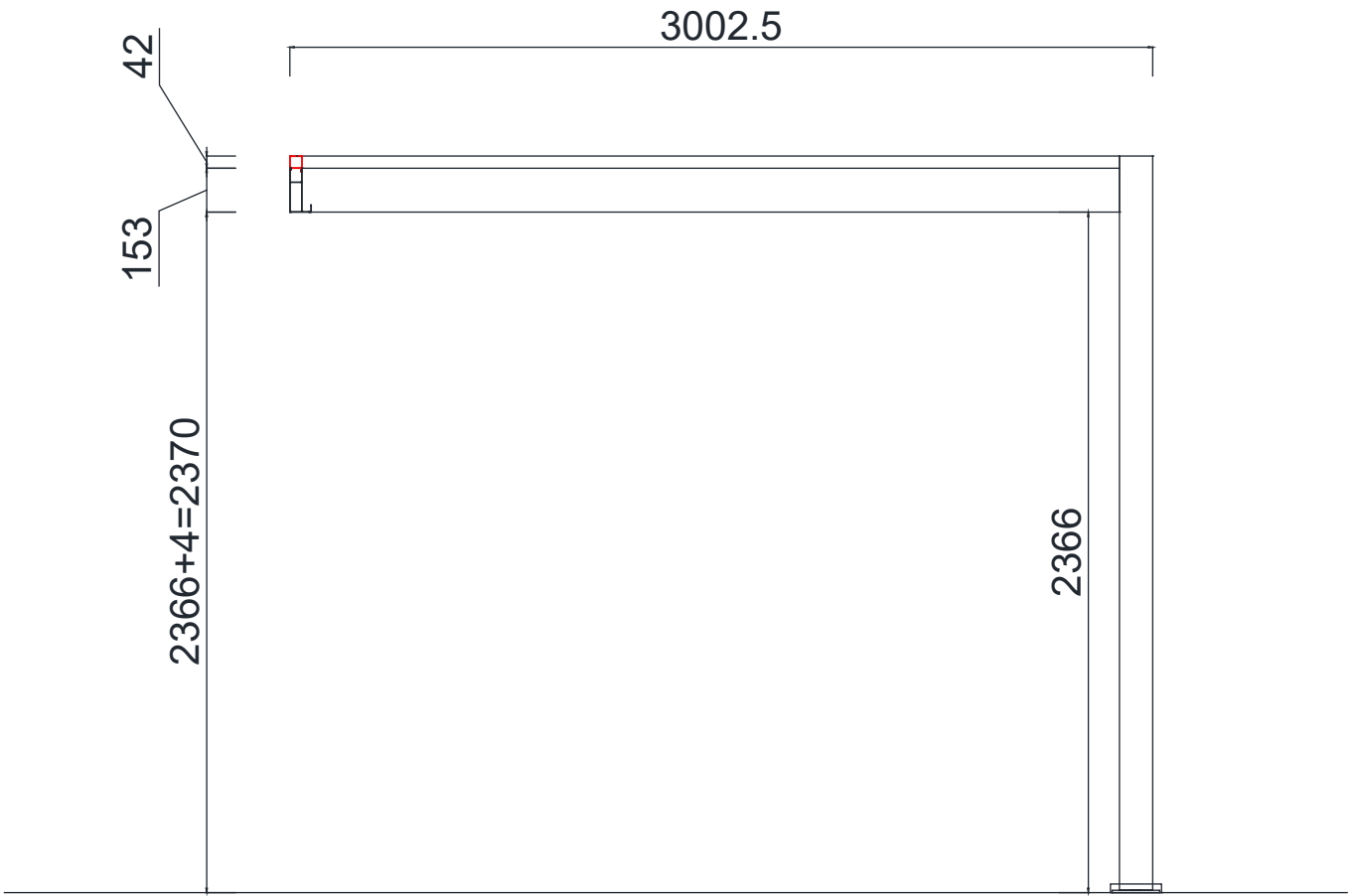
Please open the louvers to vertical in winter and snowing weather to protect your pergola!

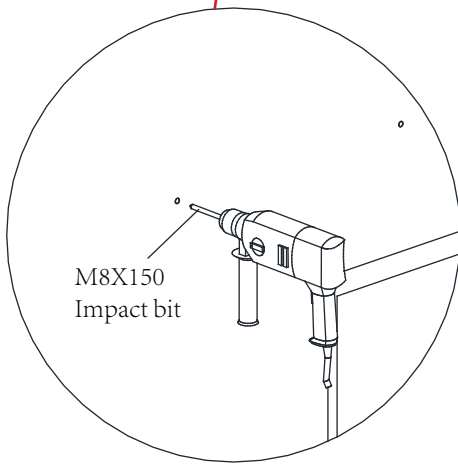
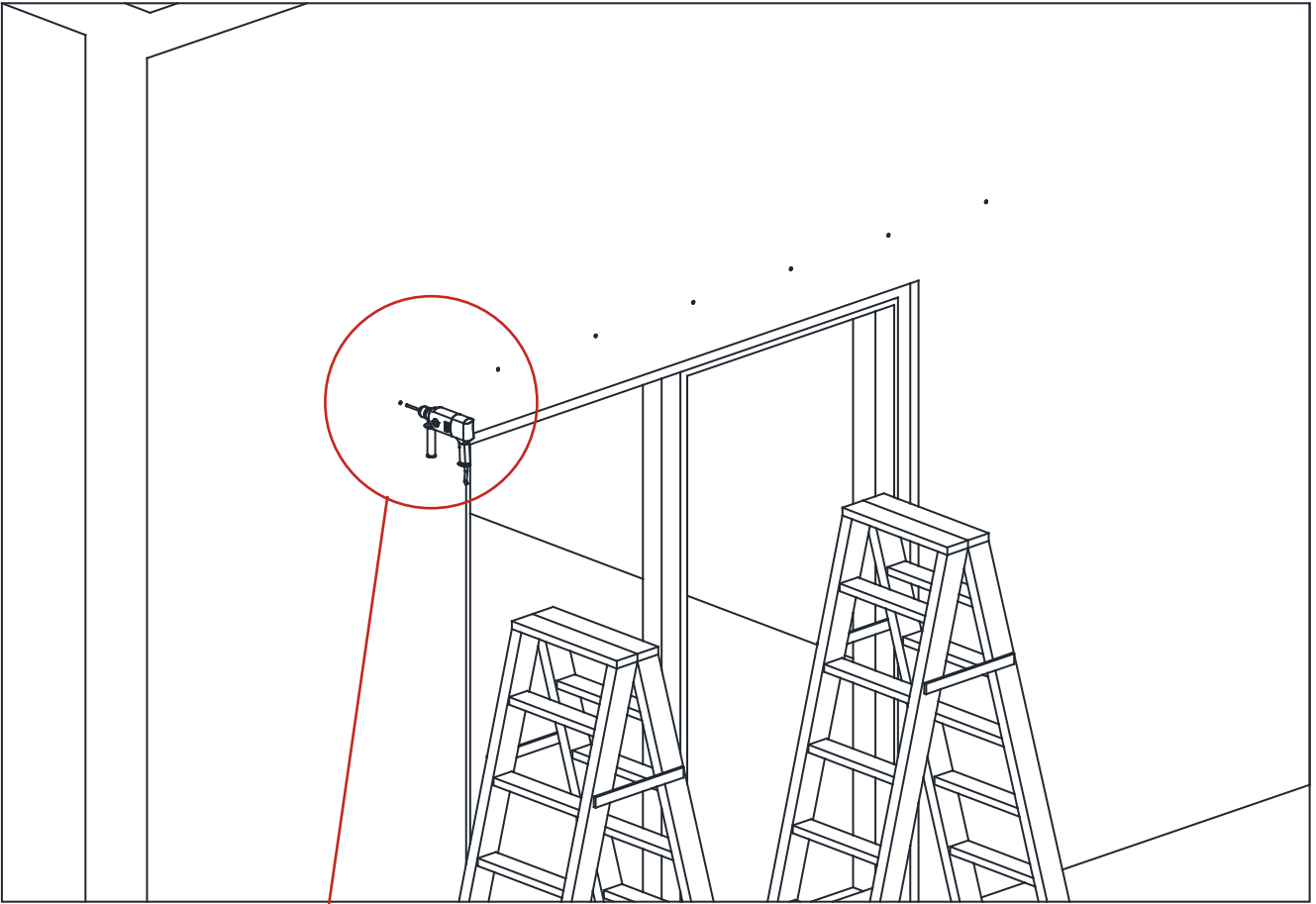
Tools Required for Installation

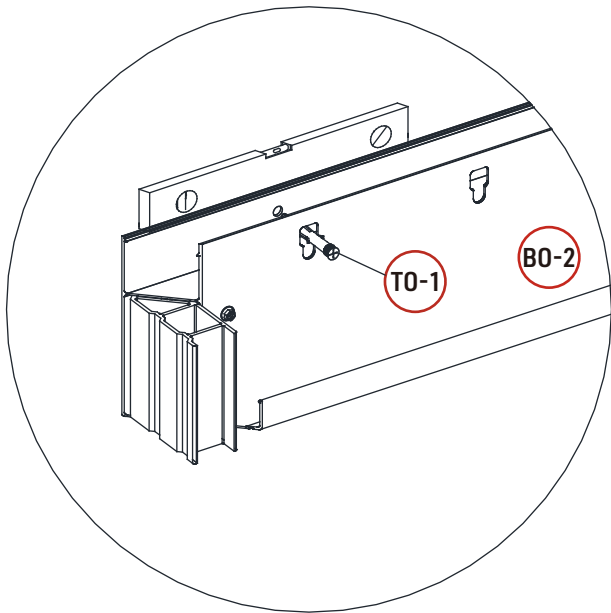
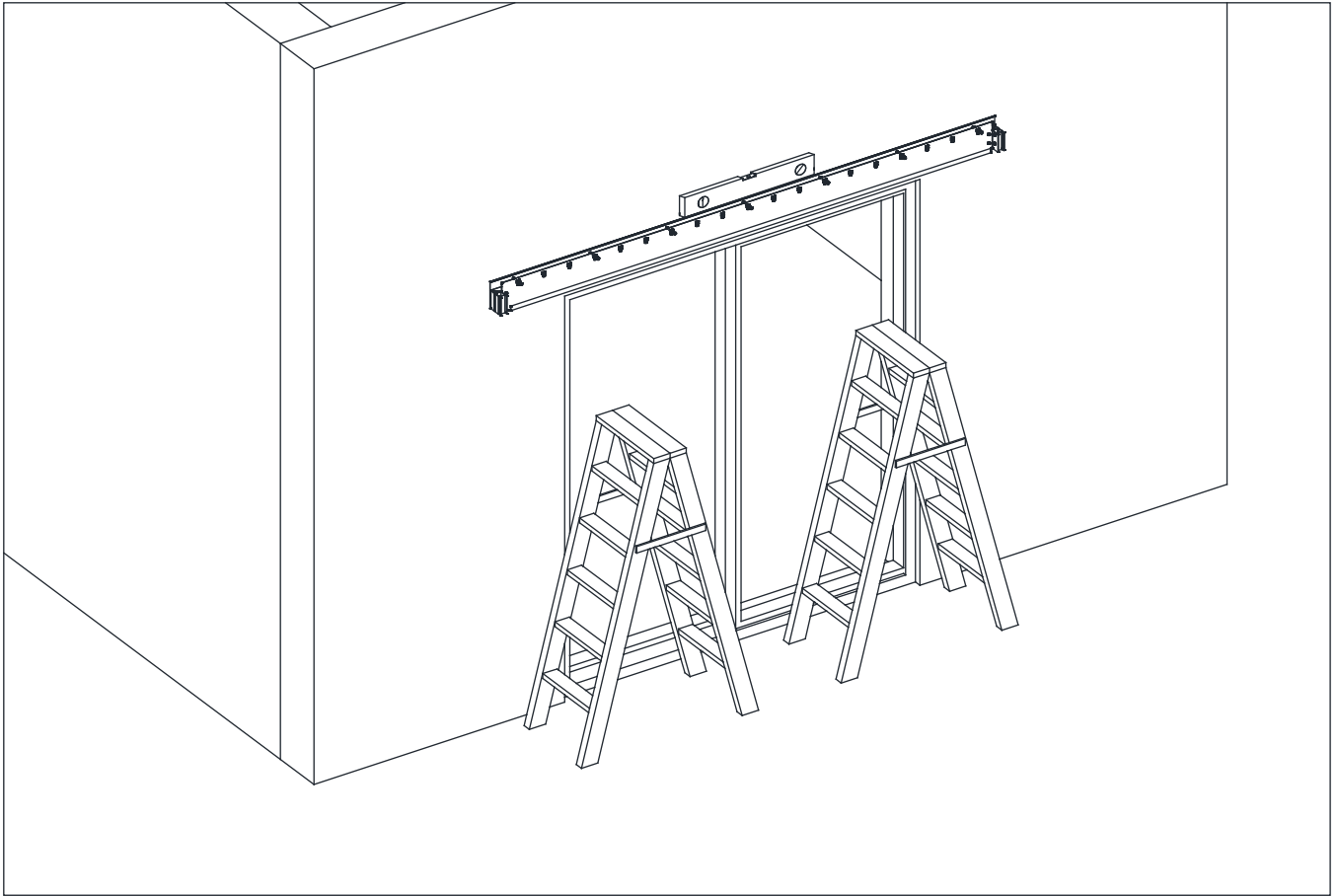


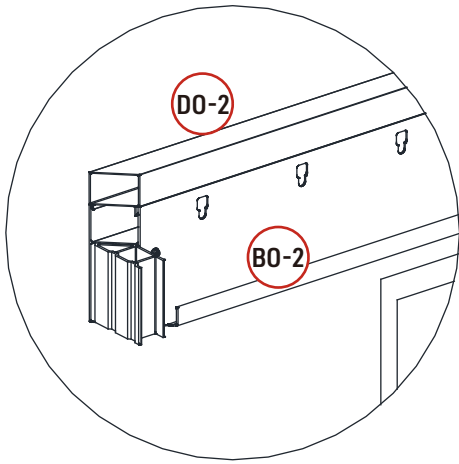
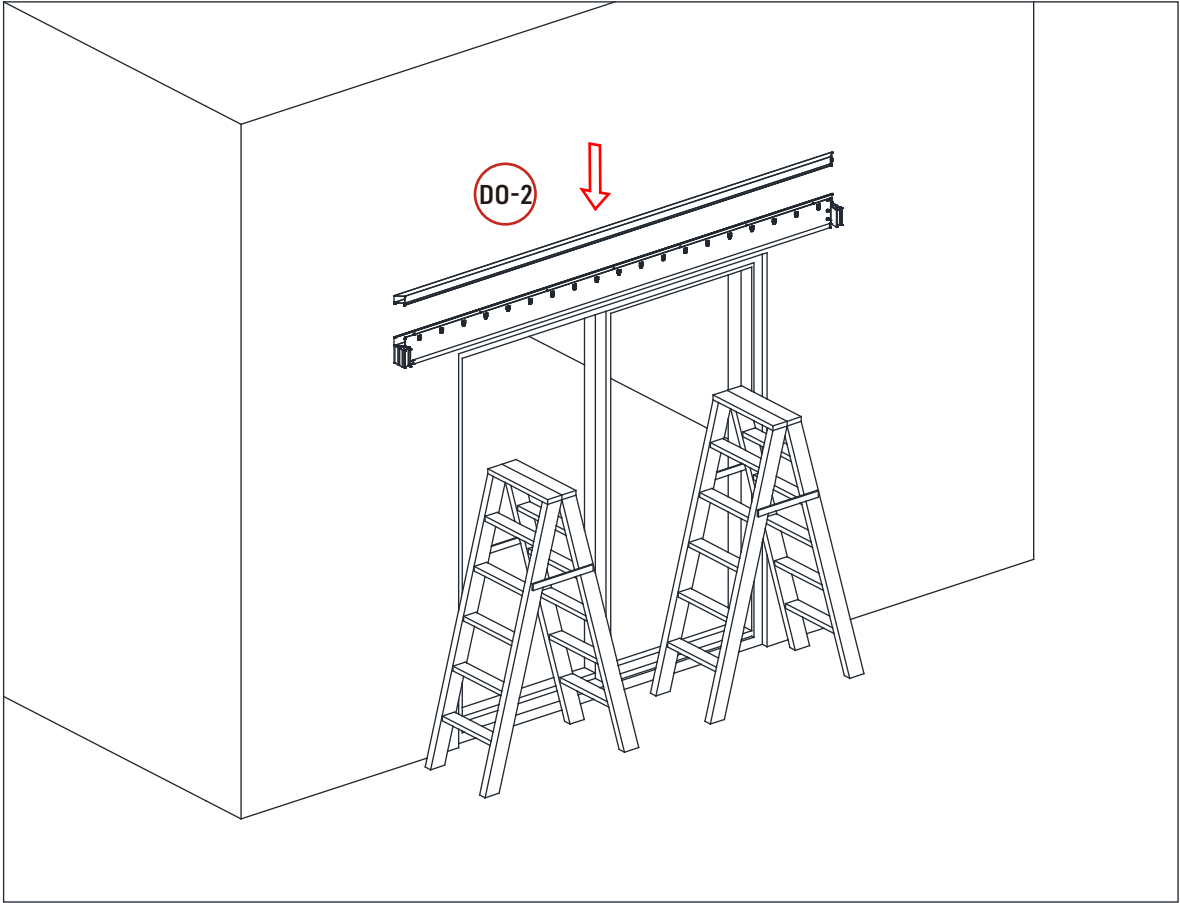


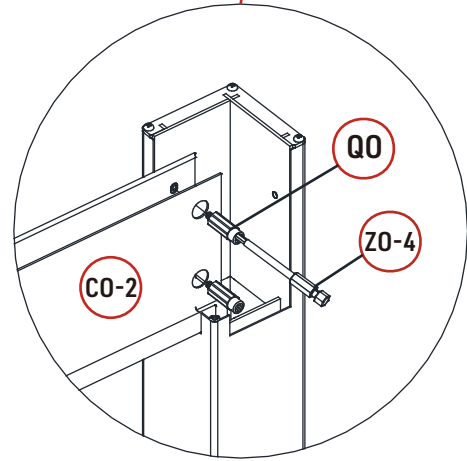
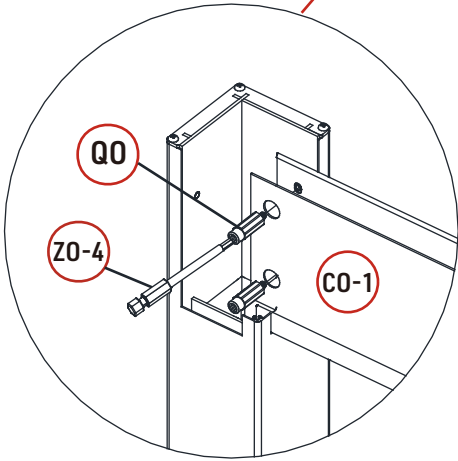
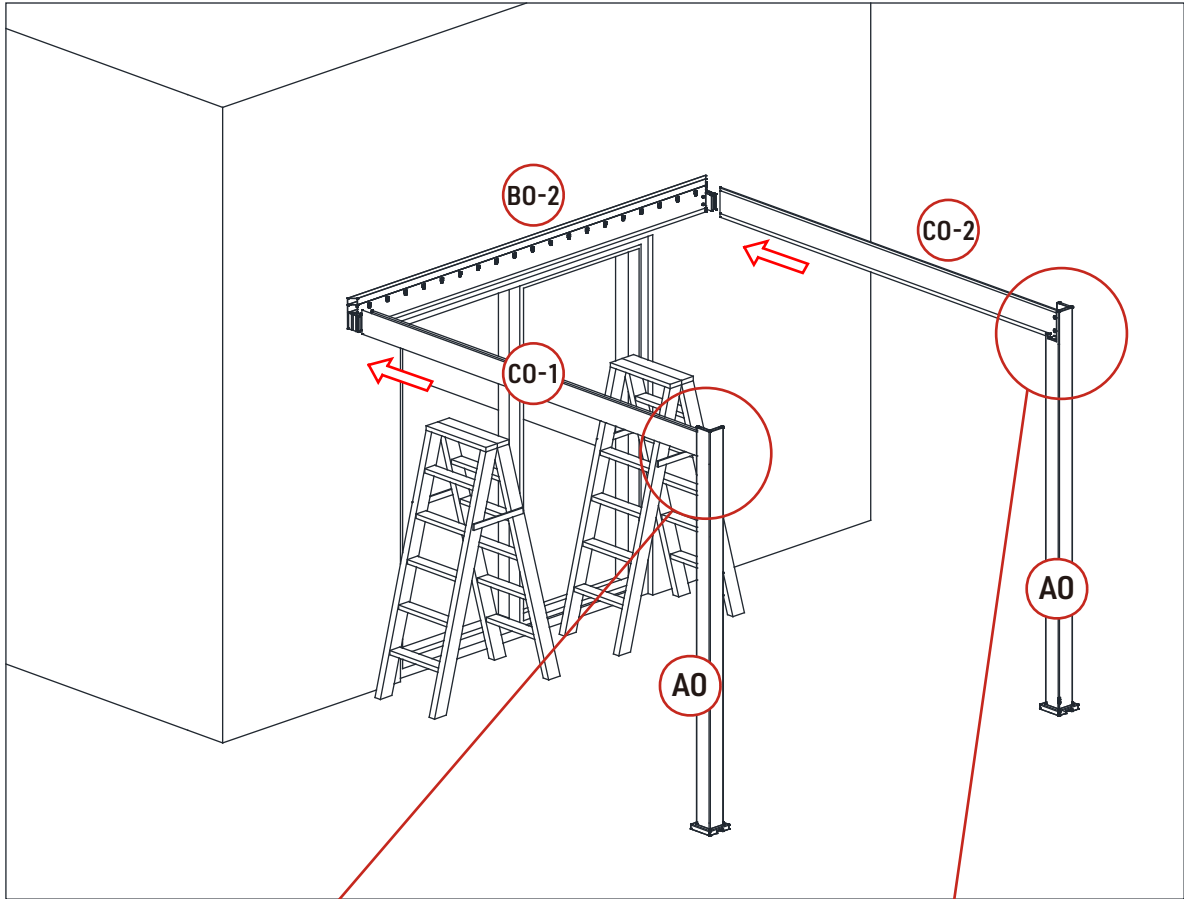


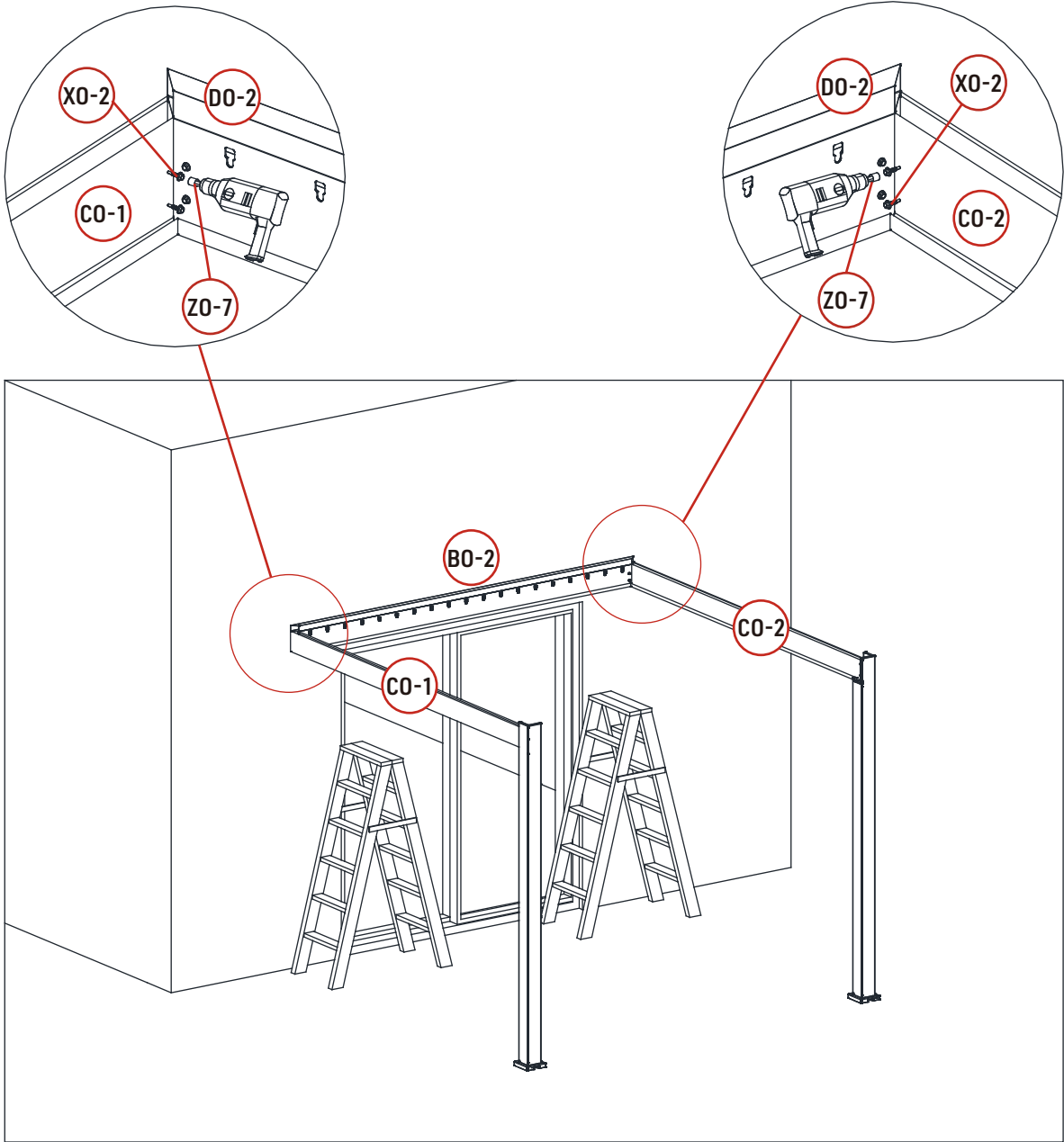


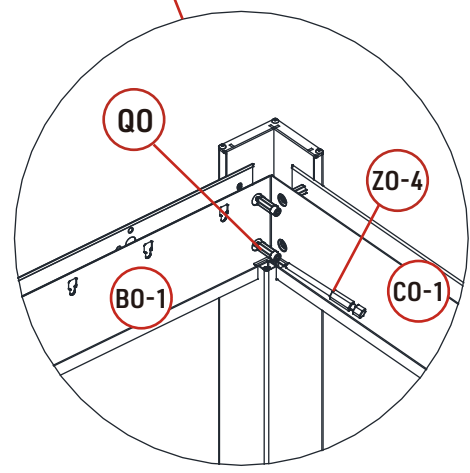
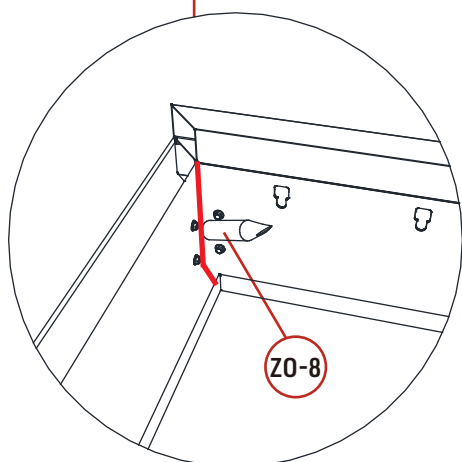
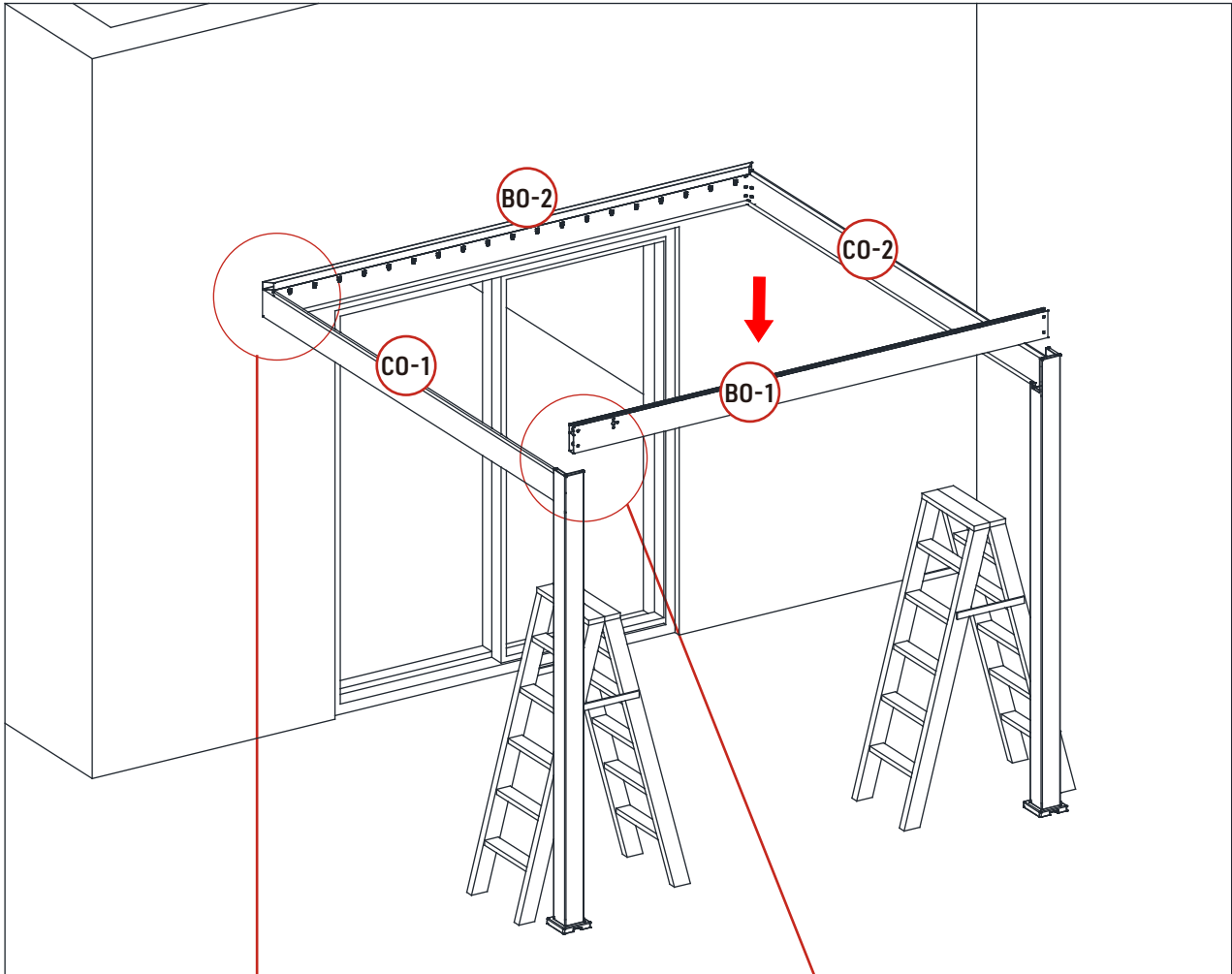


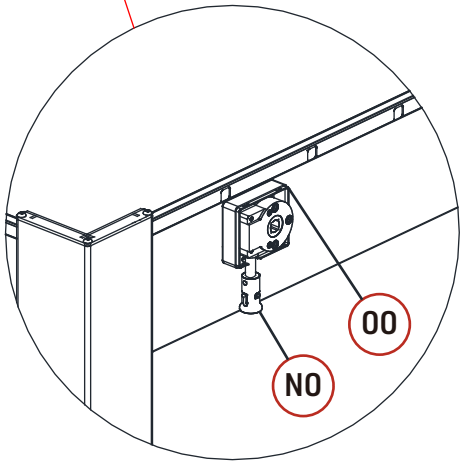
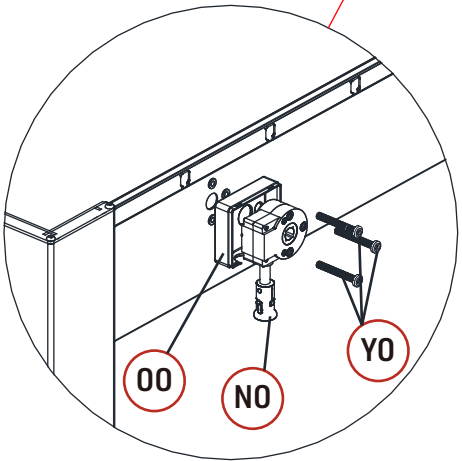
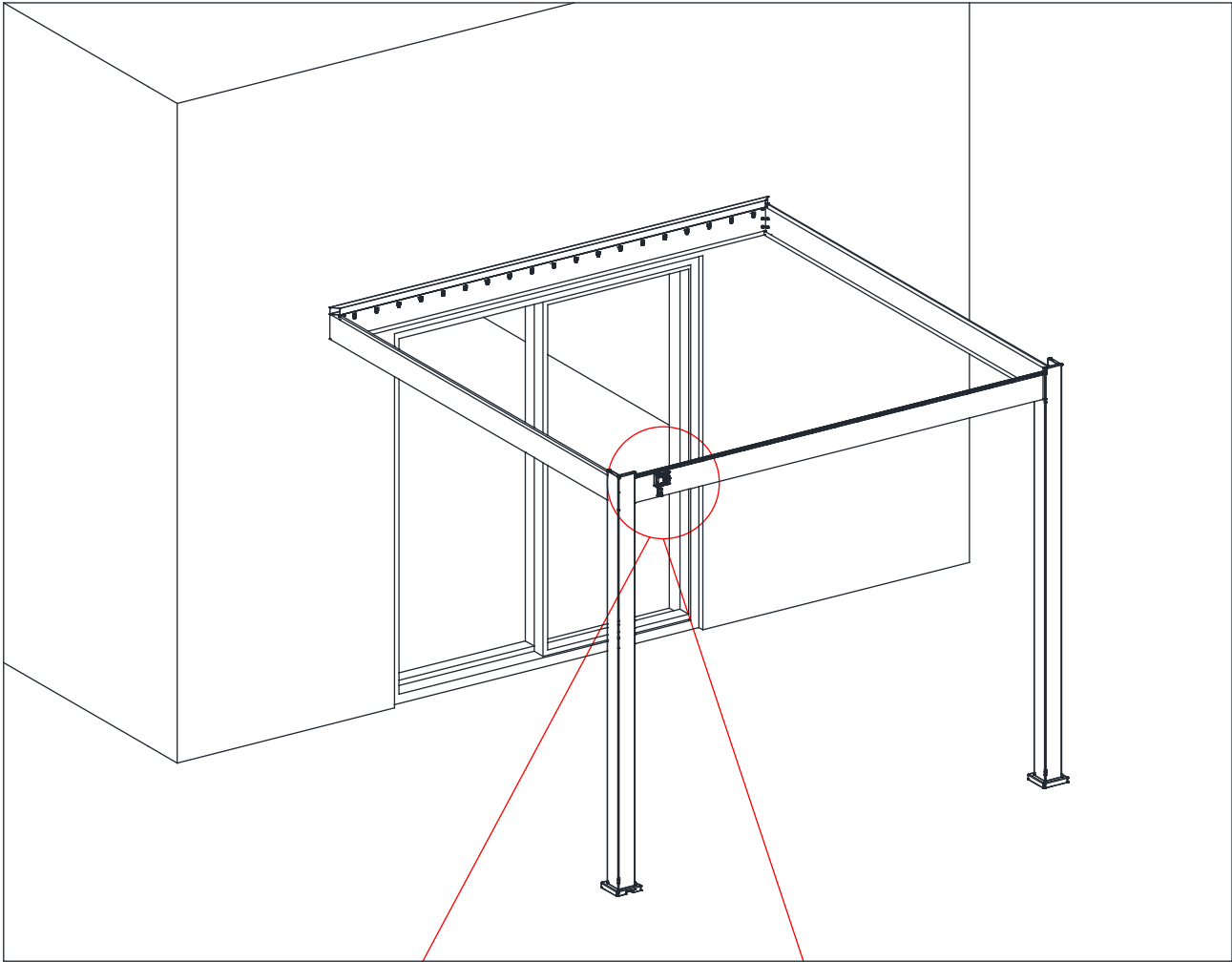


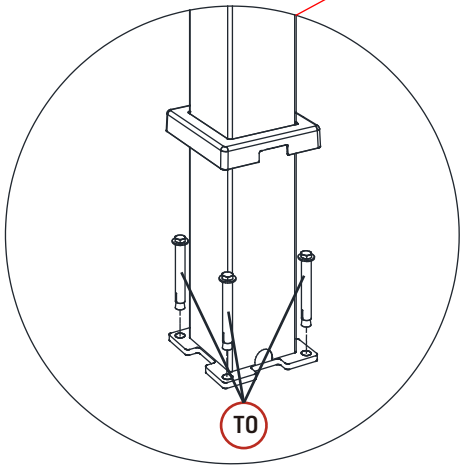
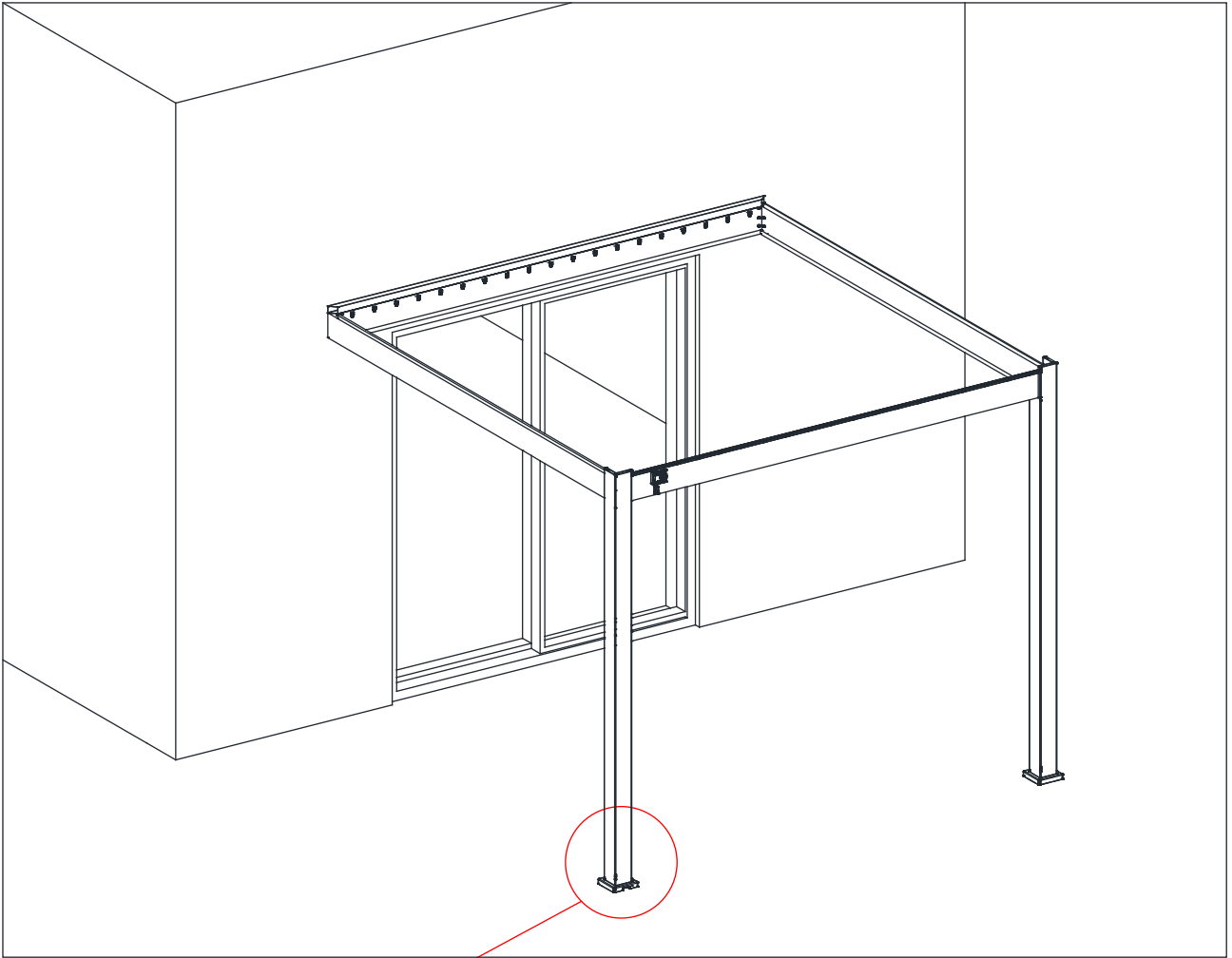




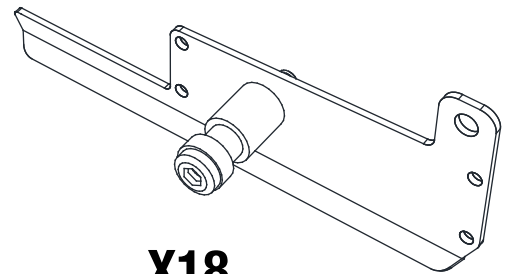
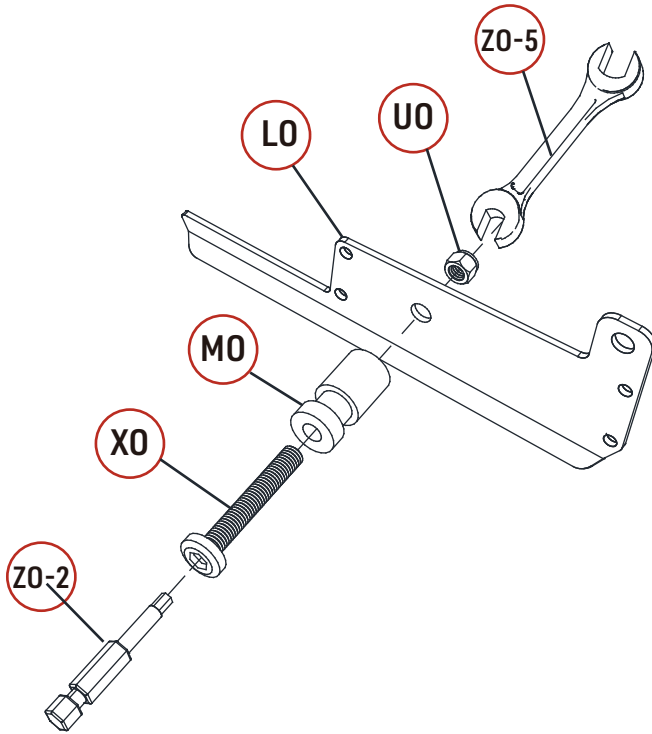
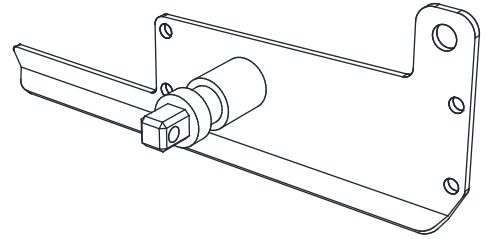




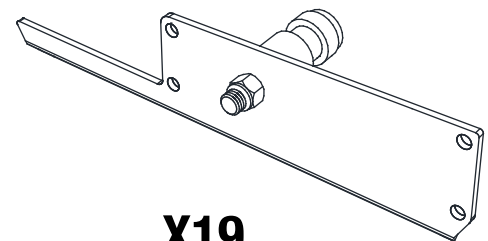
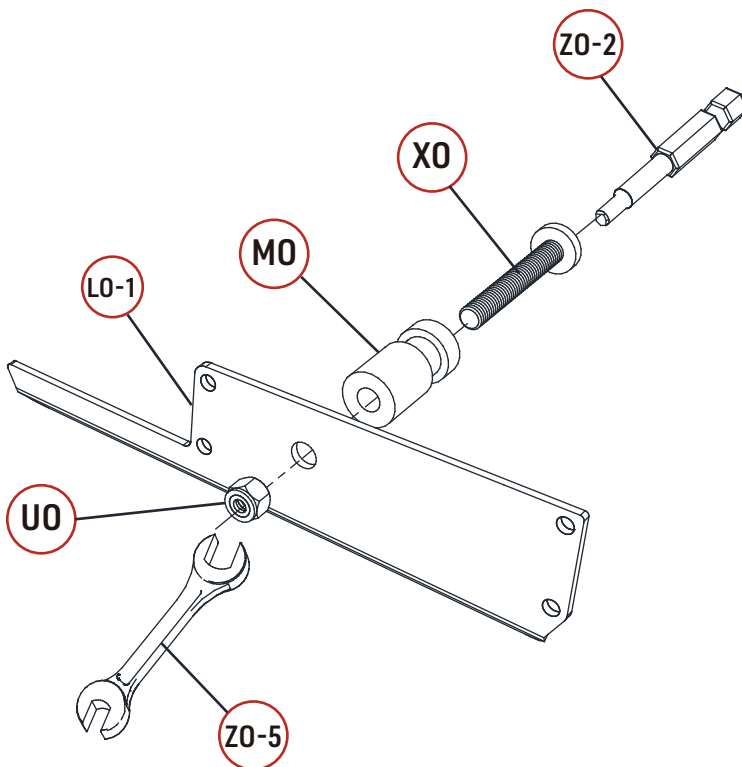




  **X1**

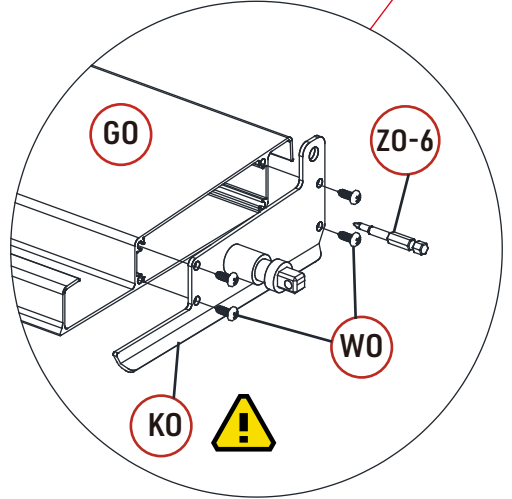
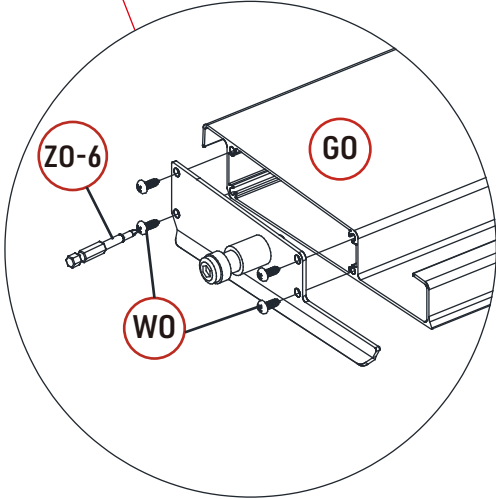
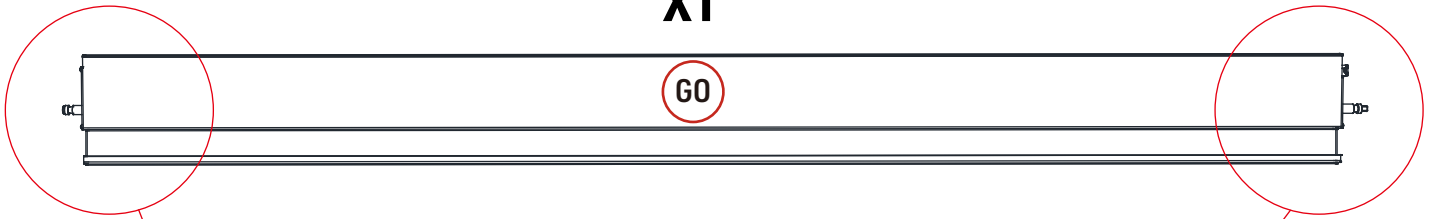


X18

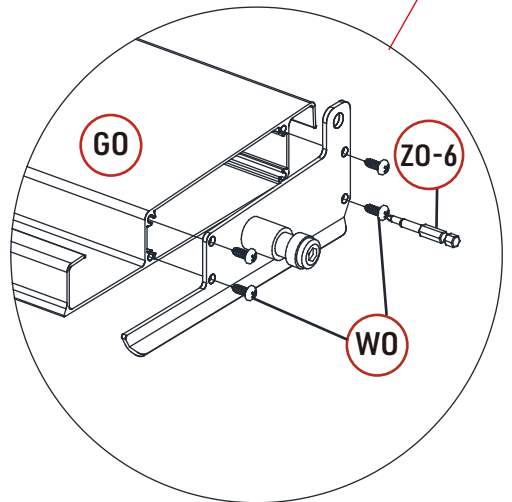
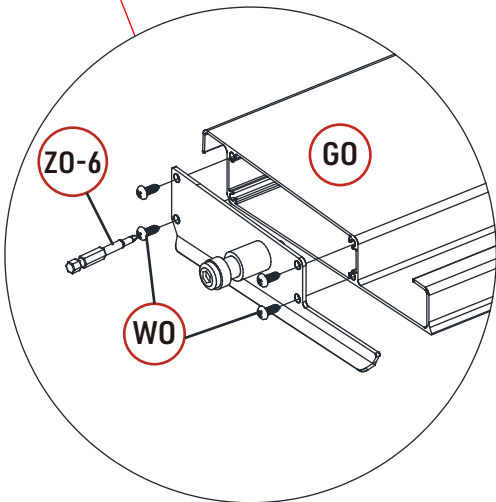
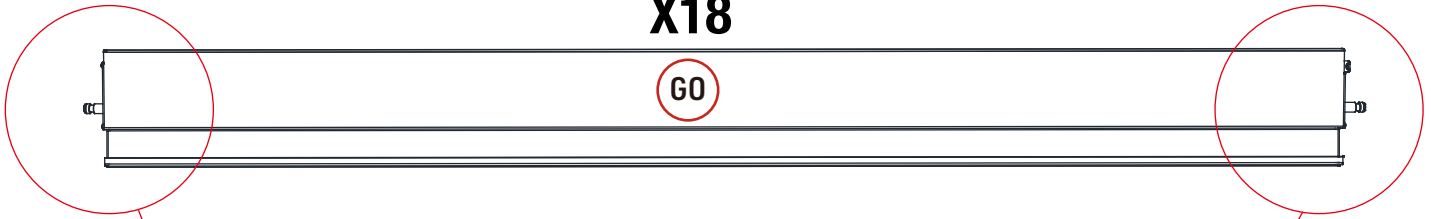


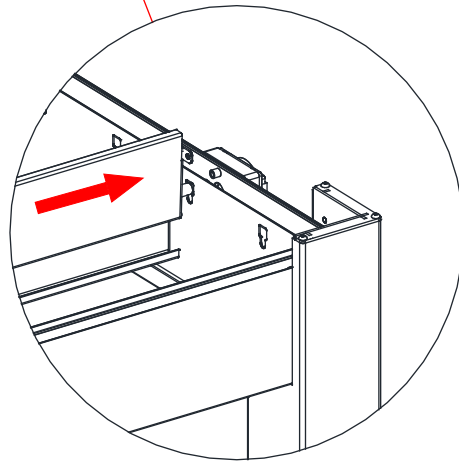
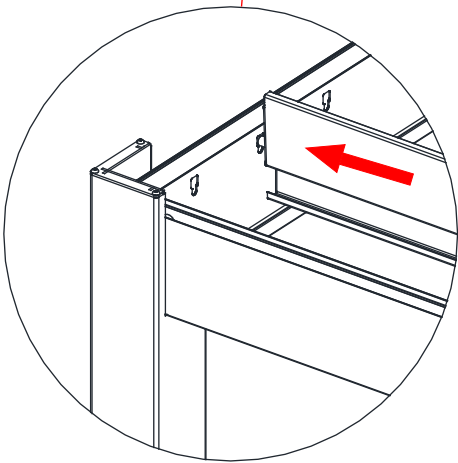
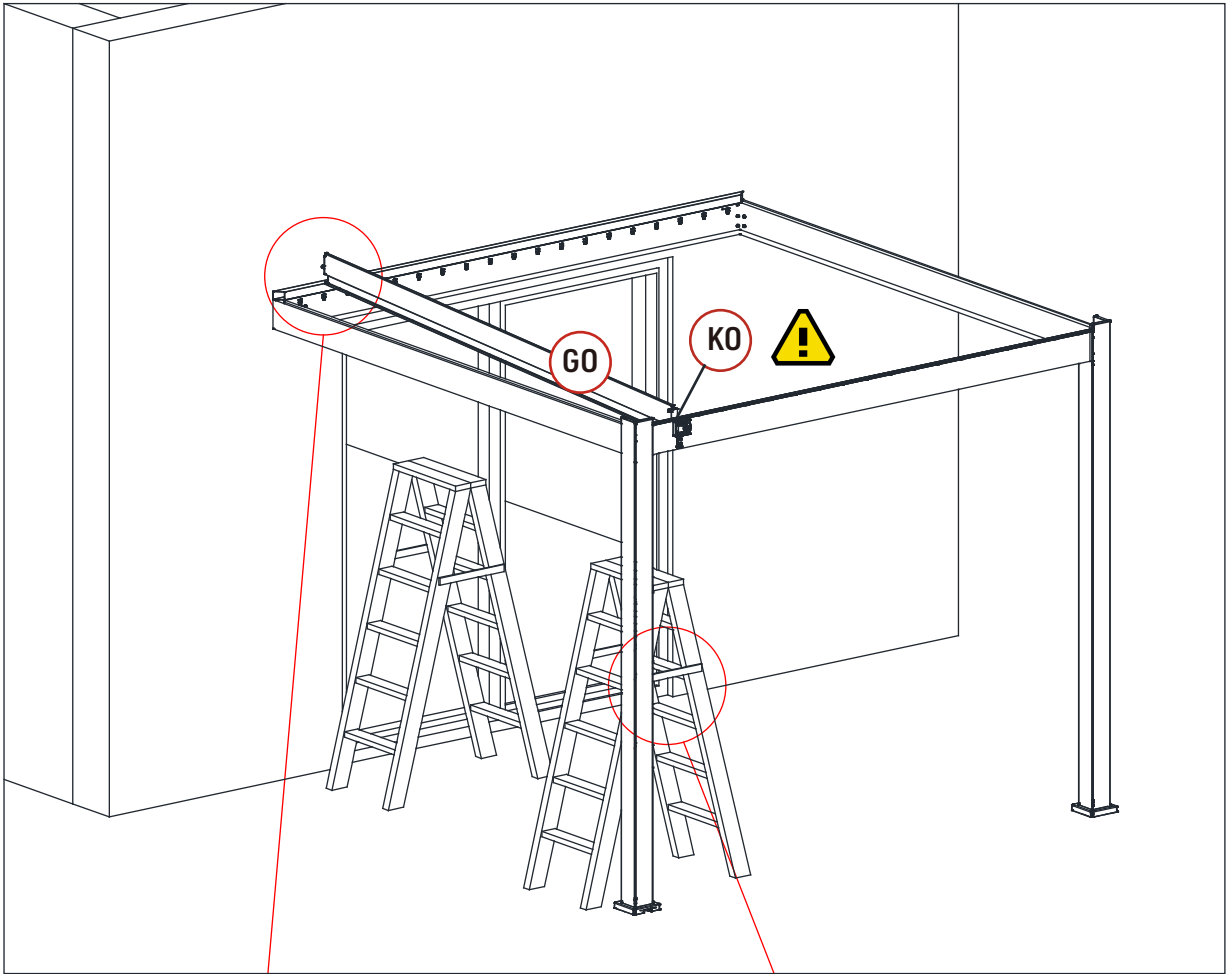
X19

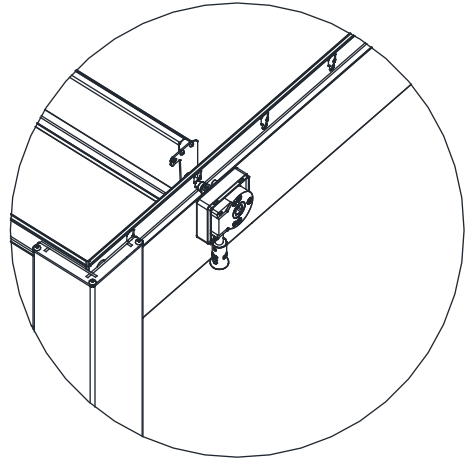
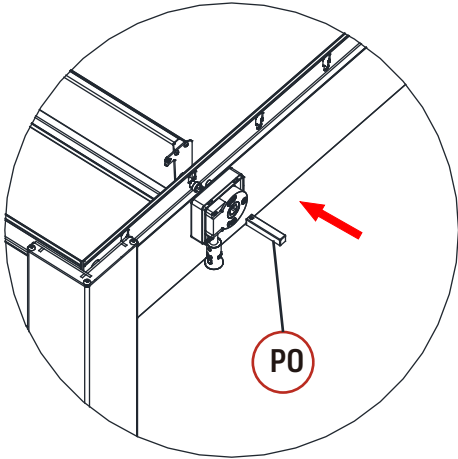
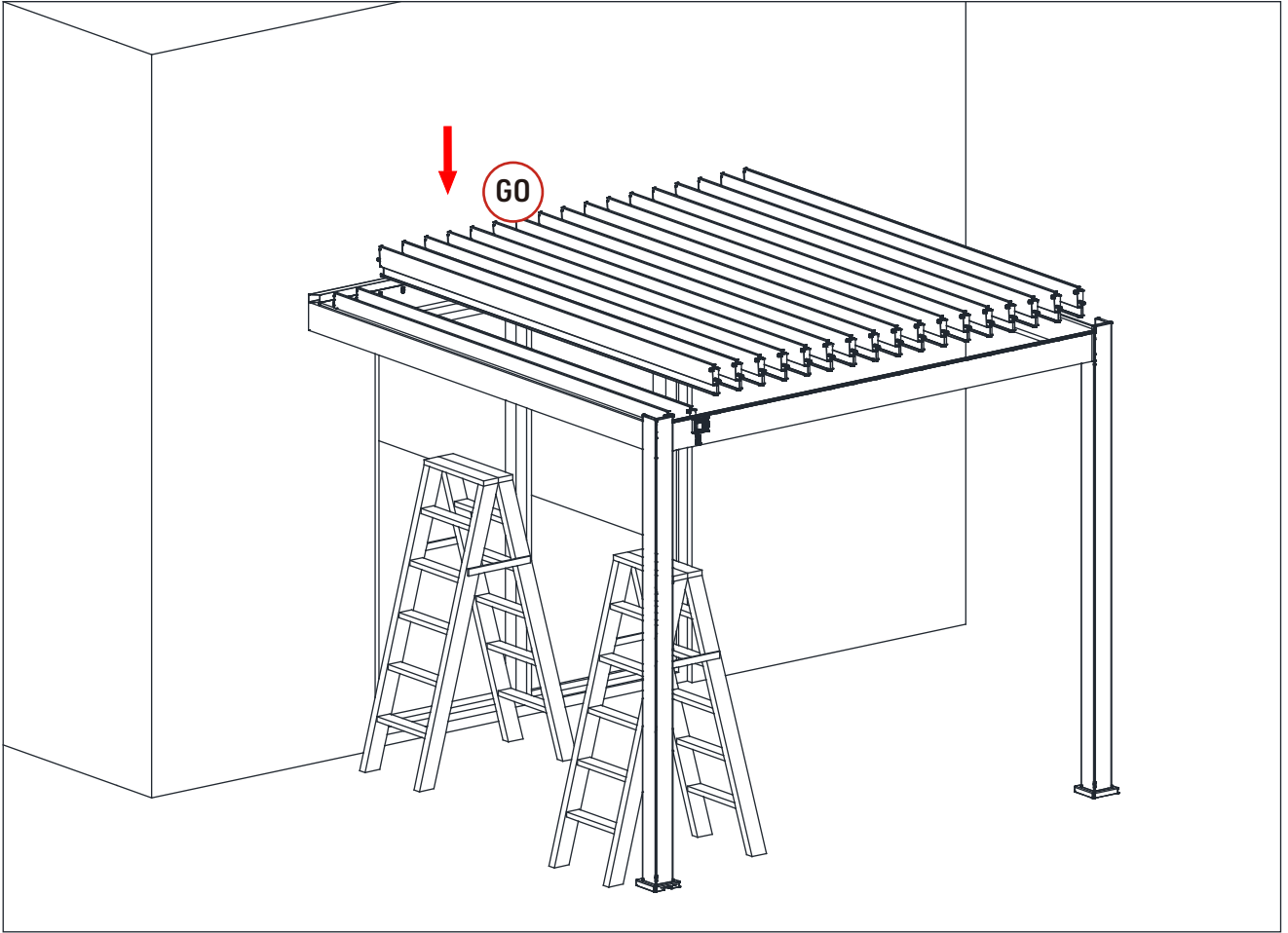
X1

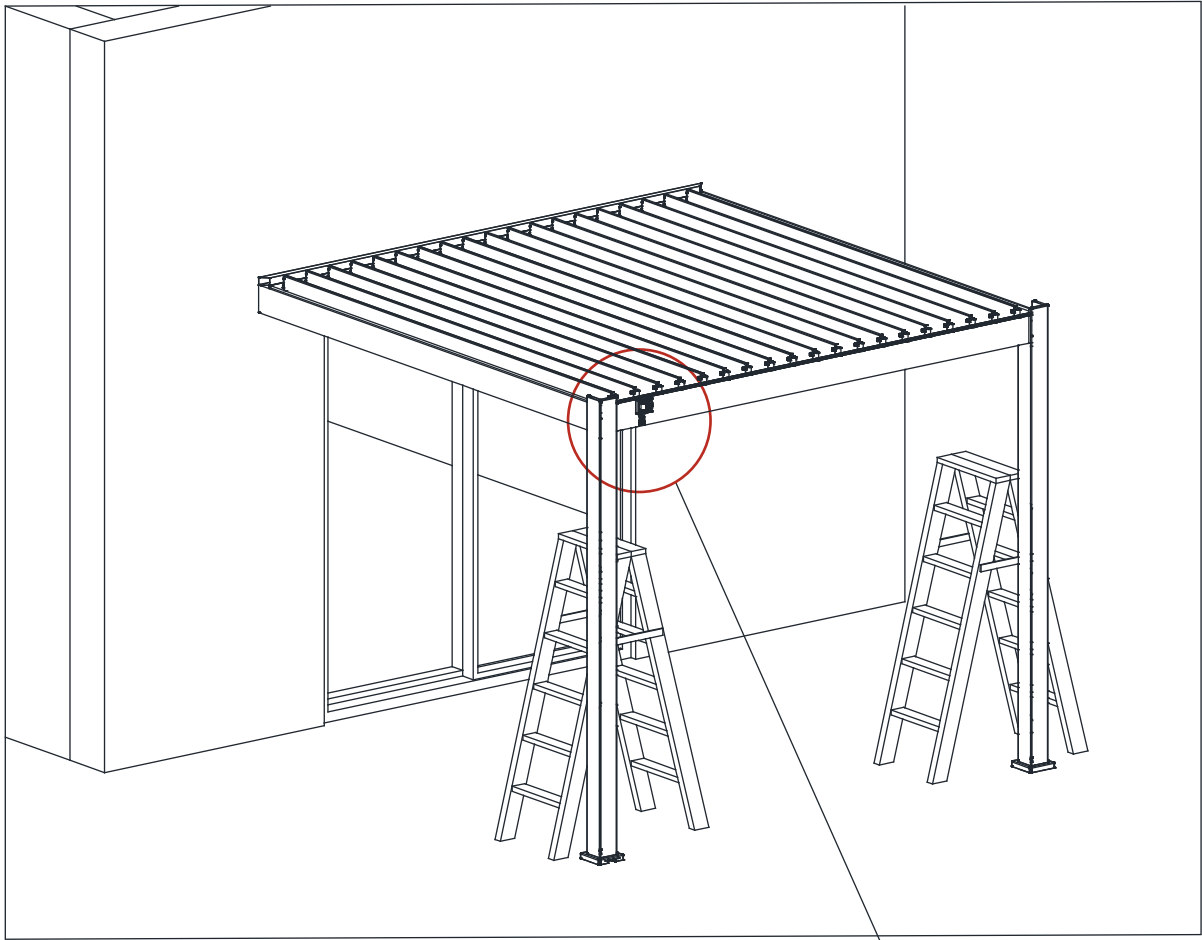


X18









 **2mm**

