

Viking Incognito Solo Saddlebag for Harley Davidson Dyna:



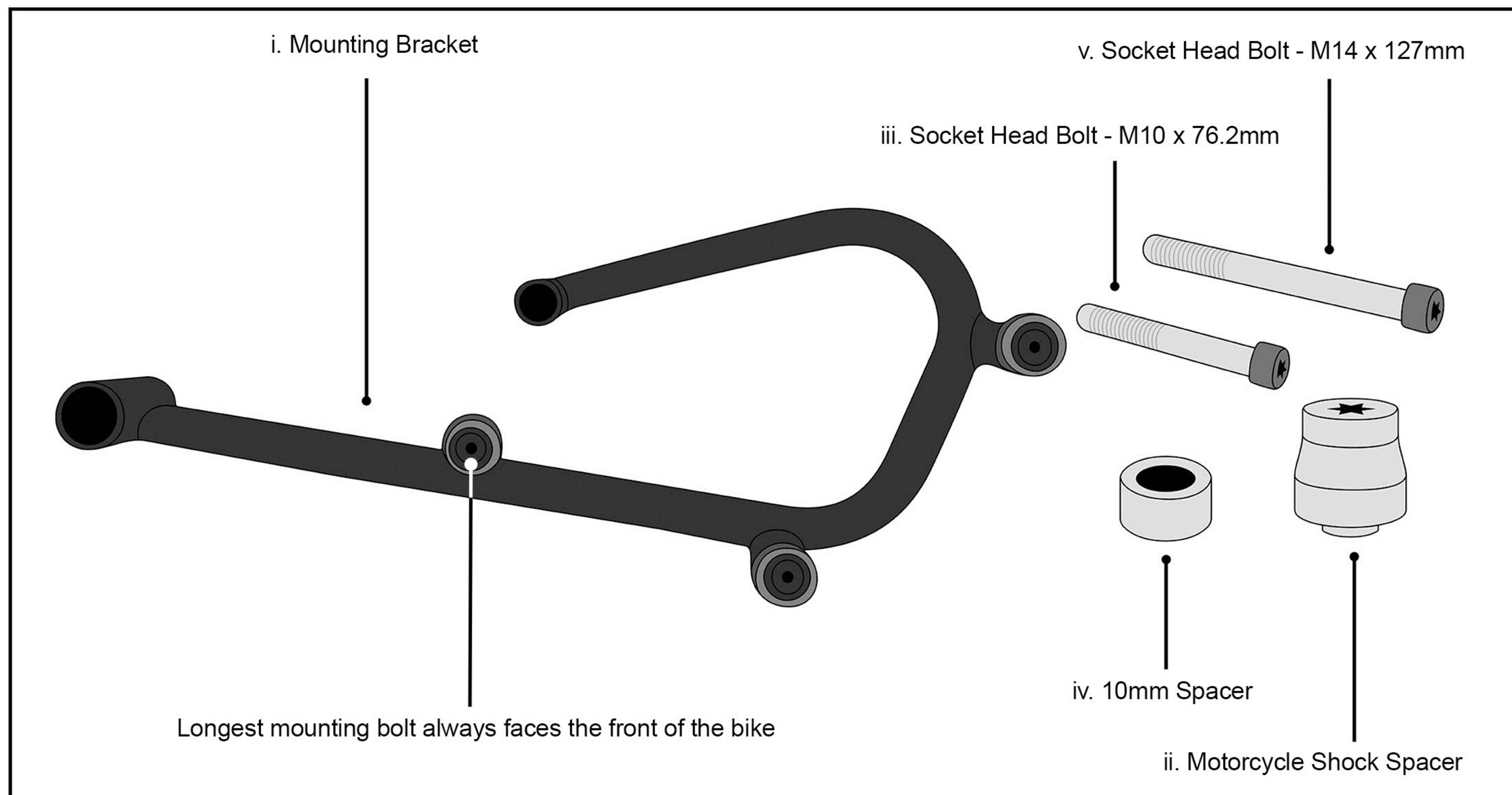
Parts:

i	Mounting Bracket	x1
ii	Motorcycle Shock Spacer	x1
iii	Socket Head Bolt - M10 x 76.2mm	x1
iv	10mm Spacer	x1
v	Socket Head Bolt - M14 x 127mm	x1

Note:

- Before starting step 1 make sure to lift the motorcycle with a suitable motorcycle jack.
- Tighten screws with the manufacturer's specified torque.
- Make sure to use Loctite for the final step.
- This Installation step shows the left-hand side, but the same steps apply to the right-hand side assembly.

Parts Diagram:



Instructions:

Step 1:

Remove your seat.

Remove the OEM fender strut bolt.

Step 2:

Loosen OEM bolts as shown and remove the shock. Store the nuts and bolts in a safe place, you will replace OEM bolts with the provided bolts for this installation. (Fig 1.)

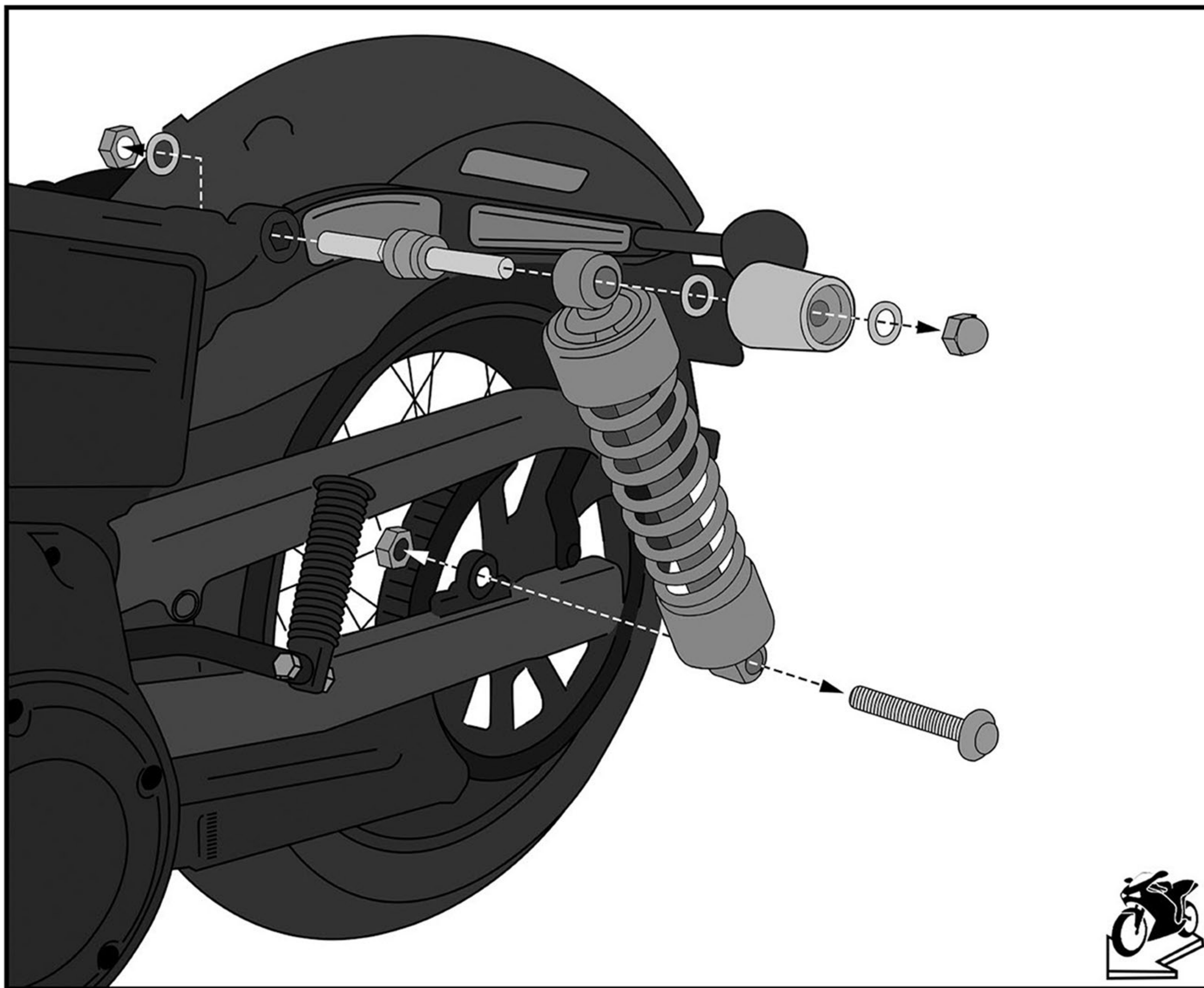


Fig 1. Removing the motorcycle shock

Step 3:

Install the mounting bracket (i) to the fender strut using provided bolts and OEM bolts. (Fig 2.)

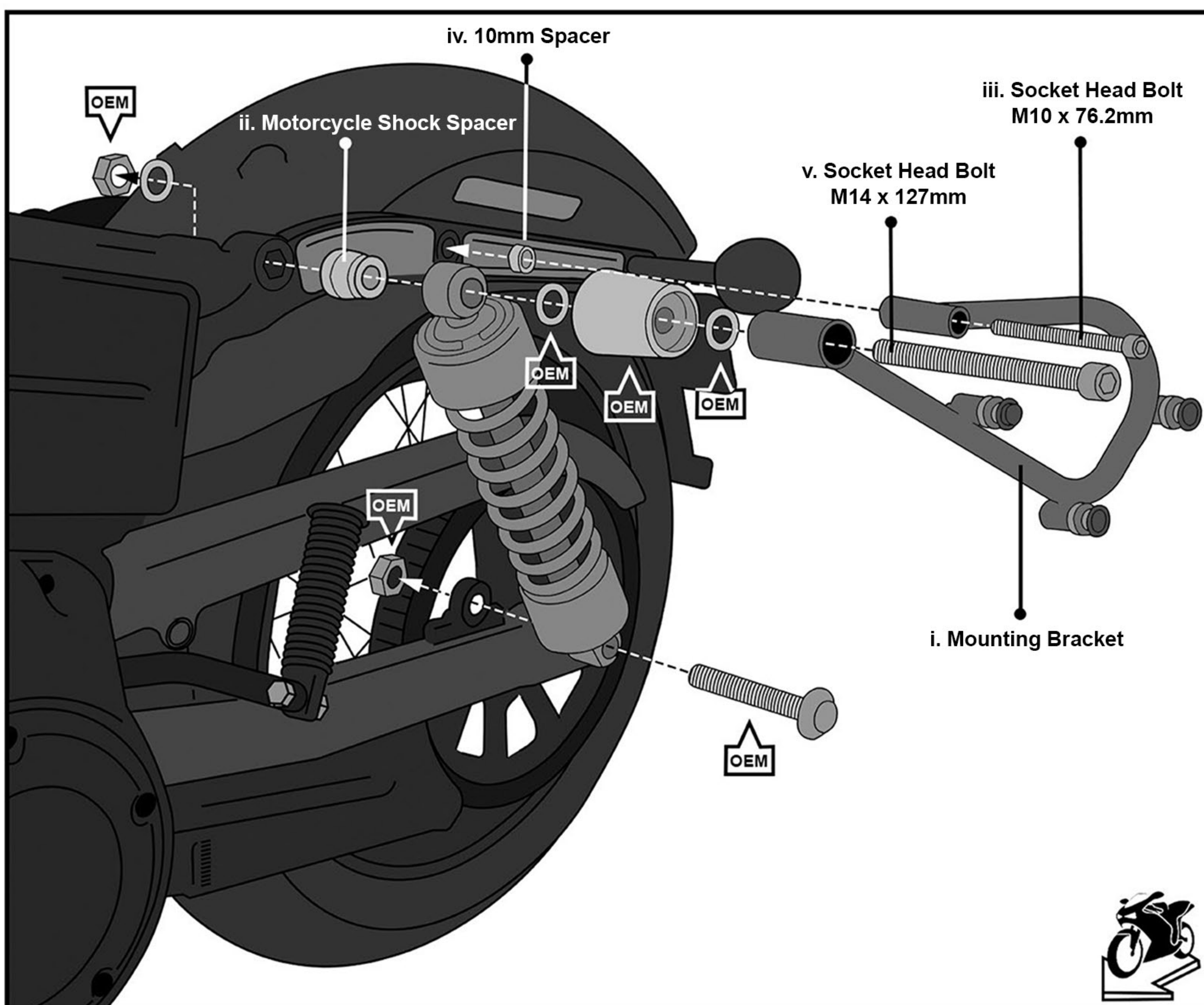


Fig 2. Installing the mounting bracket

Step 4:

Use the pre-installed adapter plate in the back of the Viking Detachable Solo Bag to mount it on the bracket as shown in Fig 3. Press the Solo Bag onto the mounting pegs until it properly rests on the mounting bracket.

To release the bag, press the lever or pull the quick-release cord.

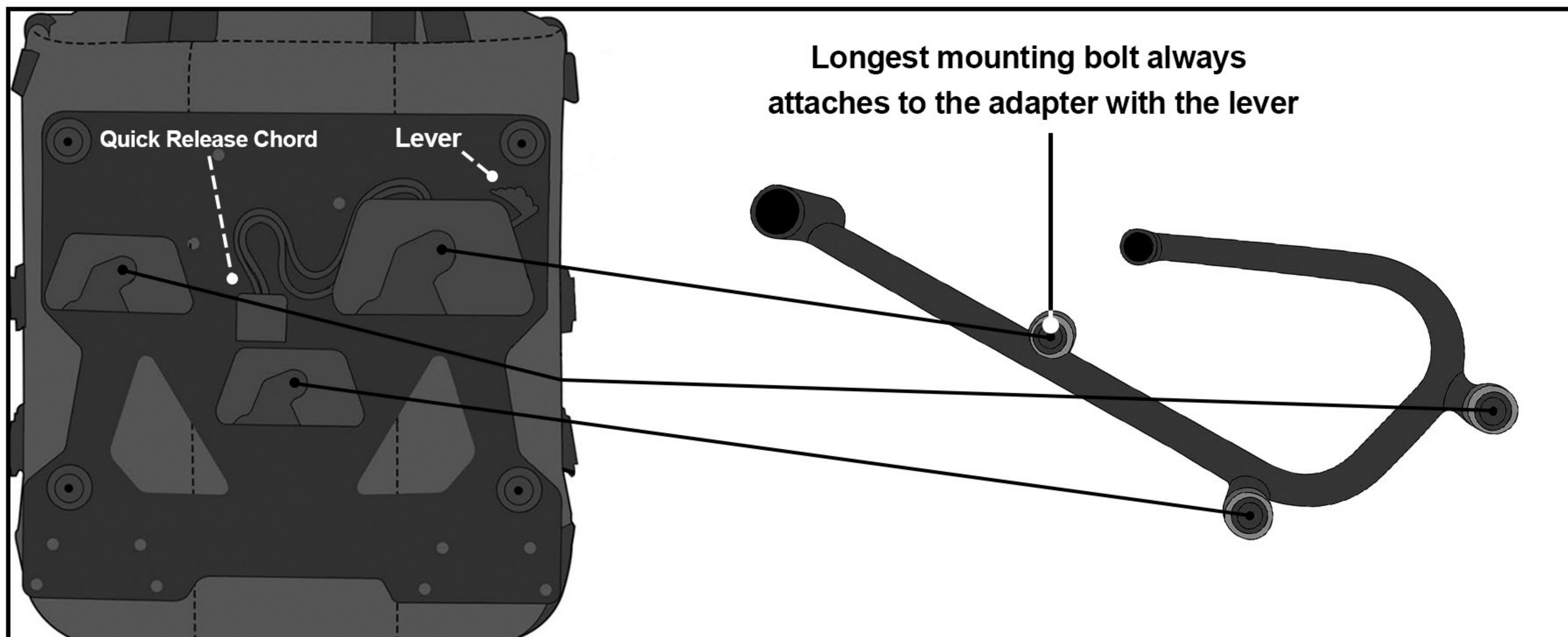
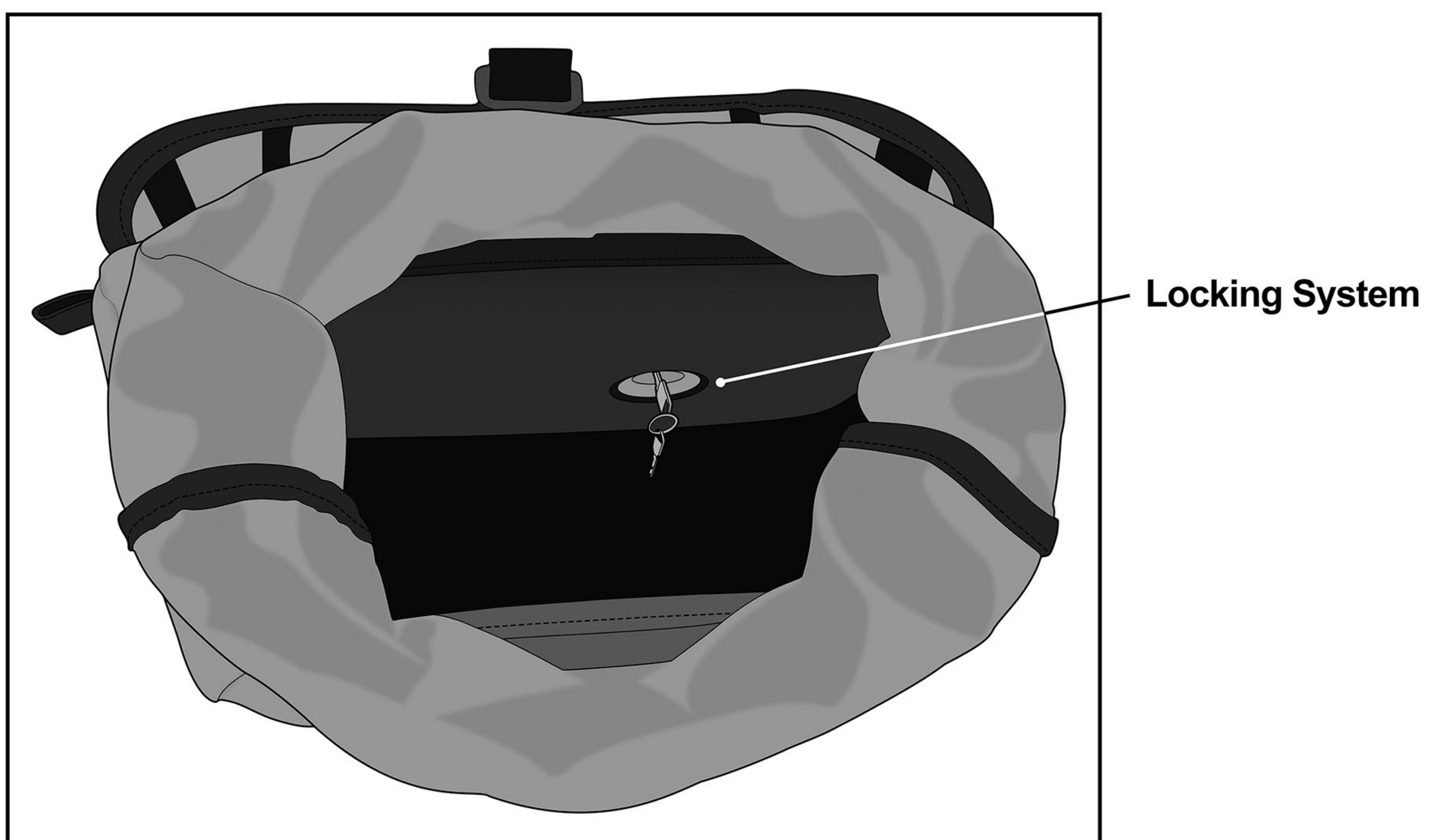


Fig 3. Attaching the bag to the bracket

Tip:

The internal bracket locking system is behind the removable waterproof lining

The quick disconnect system is key lockable. Lock / unlock the quick disconnect system from inside the bag to secure your bag against theft.



Locking system located behind the waterproof liner

Congratulations, your Viking Incognito Solo Bag is installed and you are ready to ride!

Warnings!

- Do not install if any of the mounting hardware is damaged or impaired.
- If you have any questions or concerns about the installation, call Viking Bags or consult a certified motorcycle mechanic.
- Ensure no part of the bag obstructs any of the moving parts of the bike
- Viking Bags is not liable for any damage or injury caused by improper installation or use of the product.
- Improper loading can cause vehicle handling problems, leading to death or severe injury.
- Periodically check for any signs the bags or bolts are loose and that no mounting kit parts are interfering your motorcycle's drive train, suspension, brakes, wheels, etc.

Last Update: July 30, 2024