

Viking Voyage Tank Bag Installation For Harley Softails:



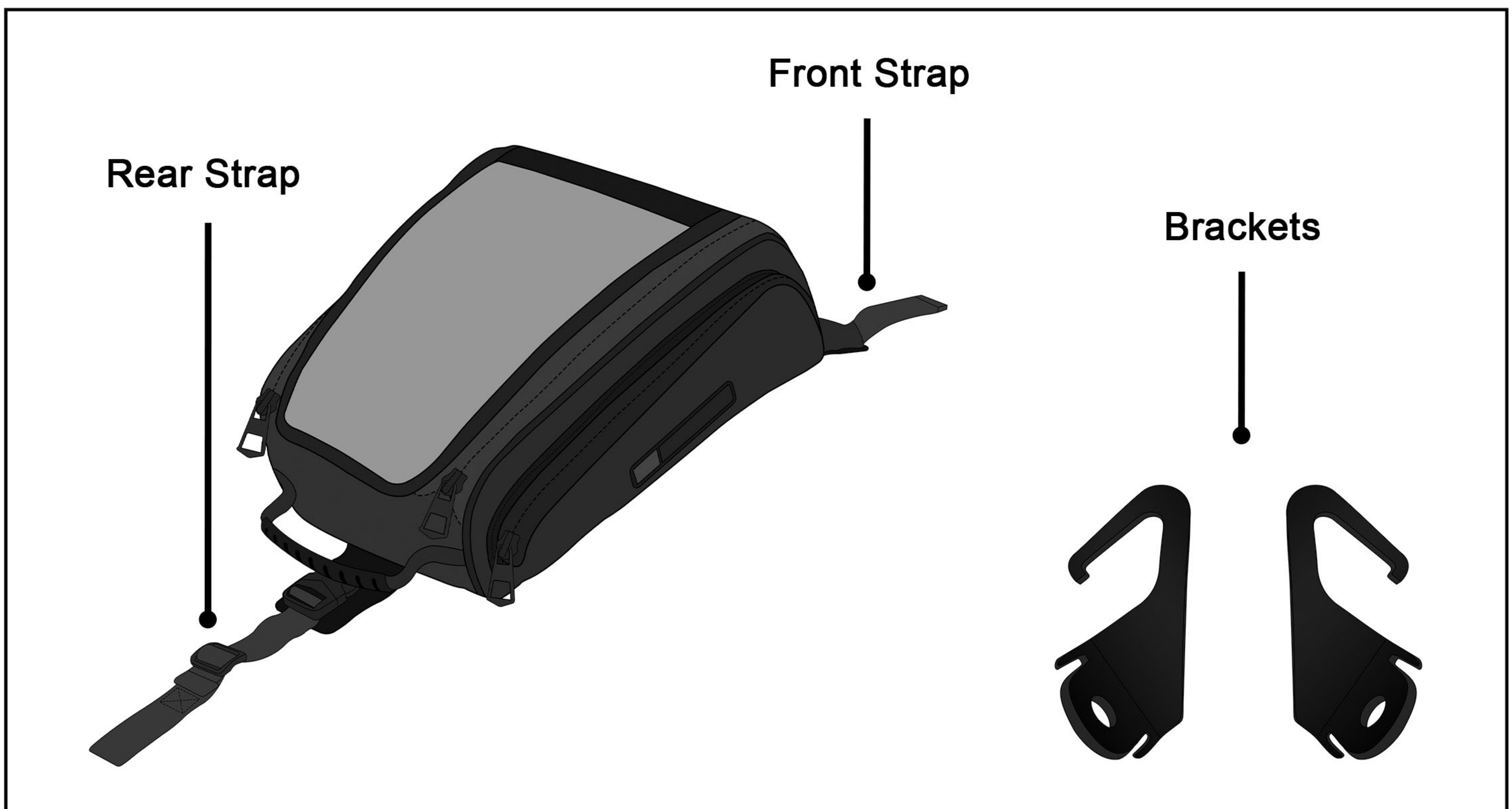
Parts:

- i Voyage Tank Bag
- ii Right Bracket
- iii Left Bracket
- iv Straps (2 top straps and 1 rear strap)
- v Rain Cover

Tips:

Ensure sufficient space between the brackets and the tank when tightening the brackets.

Parts Diagram:



Installation:

Step 1:

Remove motorcycle seat.

Step 2:

Remove the acorn nuts, screws, tank brackets, and washers and put them aside (See Fig 1.).

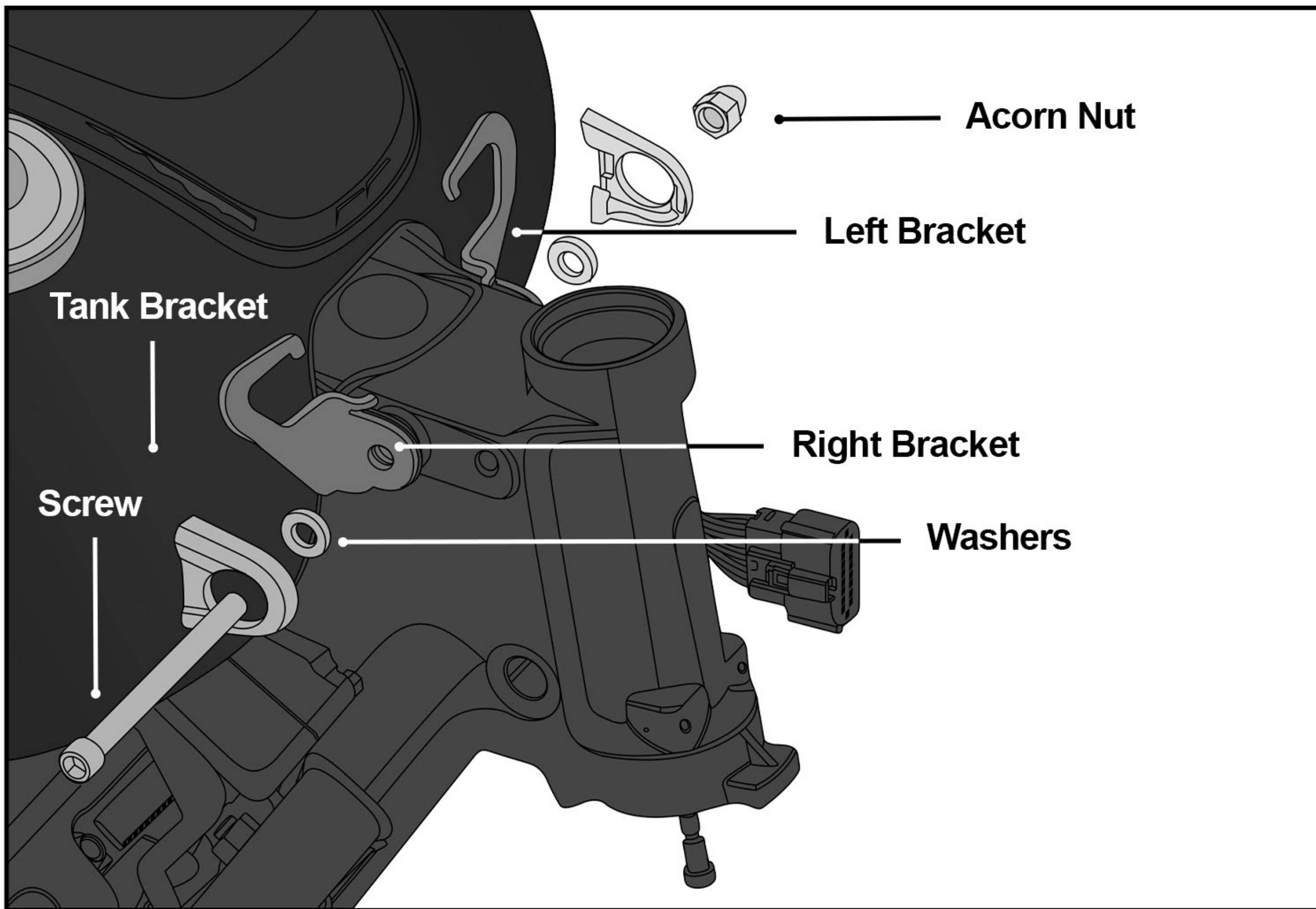


Fig 1. Hardware Installation

Step 3:

Install left and right brackets (II. and III.). Re-install the screw and the acorn nut. Use Loctite and tighten.

Step 4:

Use the two top strap loops to install on the bracket hooks(Fig 2.)

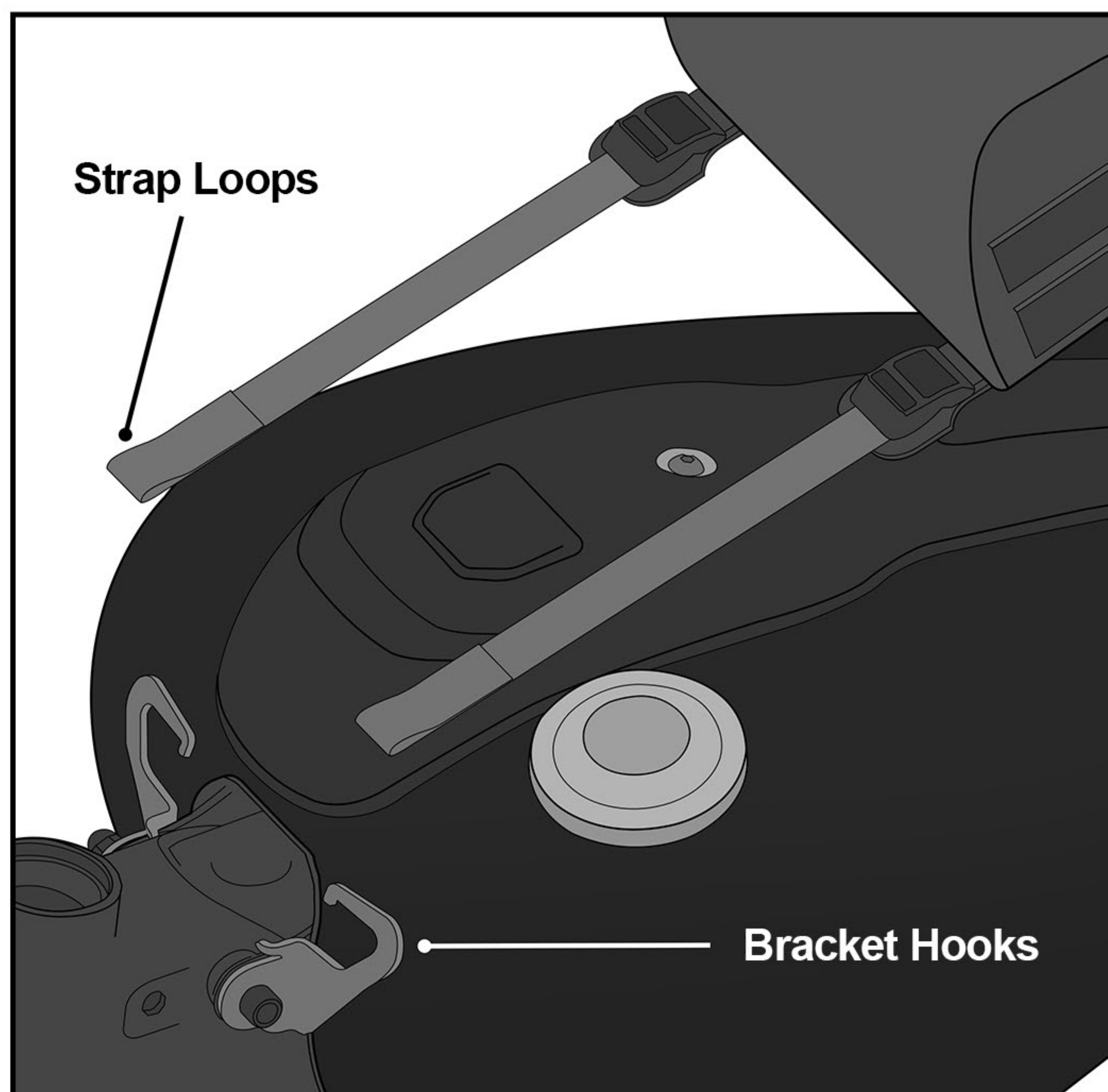


Fig 2. Installing the front straps to the bracket hooks

Step 5:

Loop the rear strap between the seat bracket and the motorcycle frame (Fig 3.)

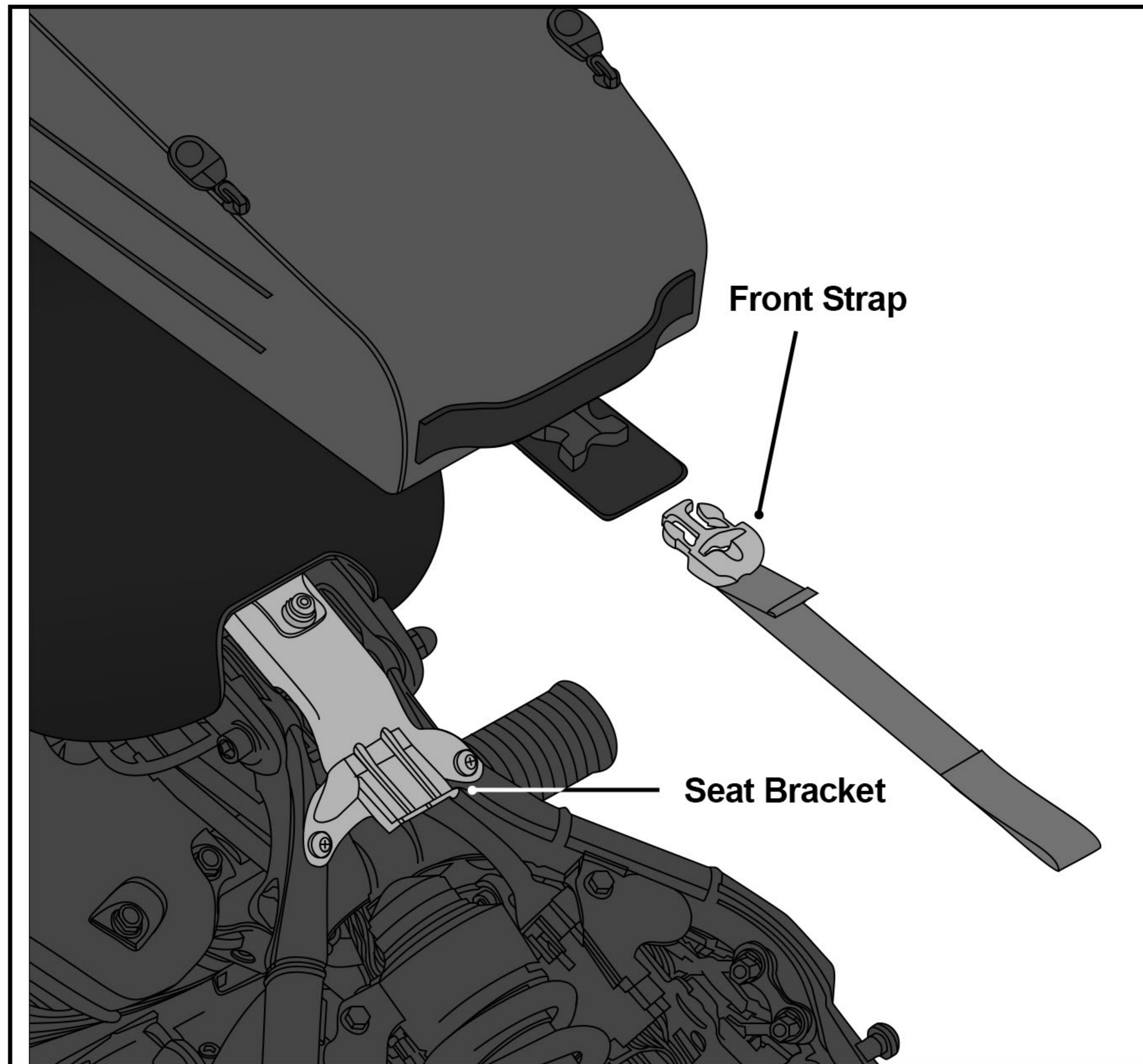


Fig 3. Installing the rear strap to the seat bracket

Step 6:

Strap all the buckles and ensure the rear strap is positioned above the seat bracket when tightened.

Congratulations! You have successfully installed your Viking Voyage Tank Bag and now you are ready to ride!

Warnings !

- Do not install if any of the mounting hardware is damaged or impaired.
- If you have any questions or concerns about the installation, call Viking Bags or consult your local mechanic.
- Ensure no part of the bag obstructs any of the moving parts of the bike.
- Viking Bags is not liable for any damage or malfunctions caused to your motorcycle during the installation process.
- Improper loading can cause vehicle handling problems leading to death or severe injury.
- Periodically check the bolts on your bike for tightness.