



# Viking Bags Quick Disconnect System Installation Guide:



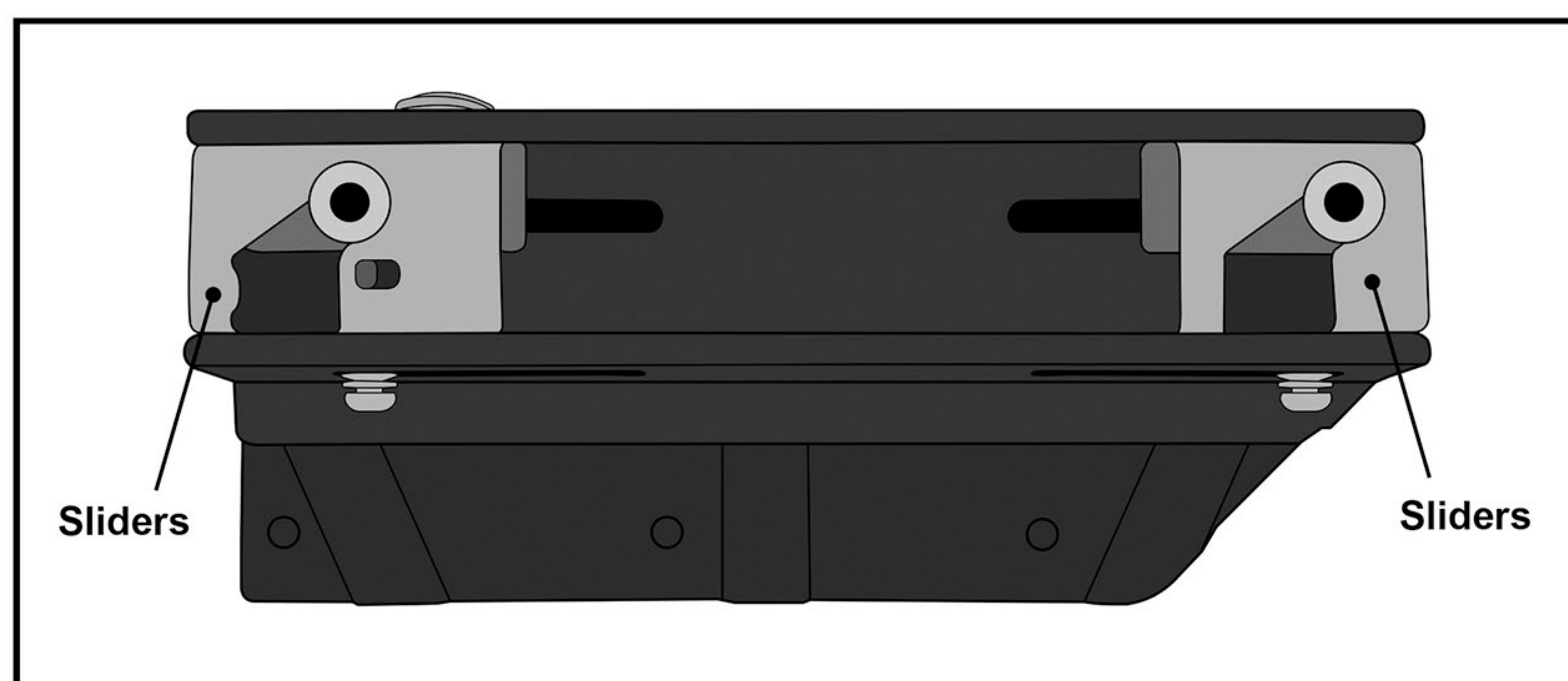
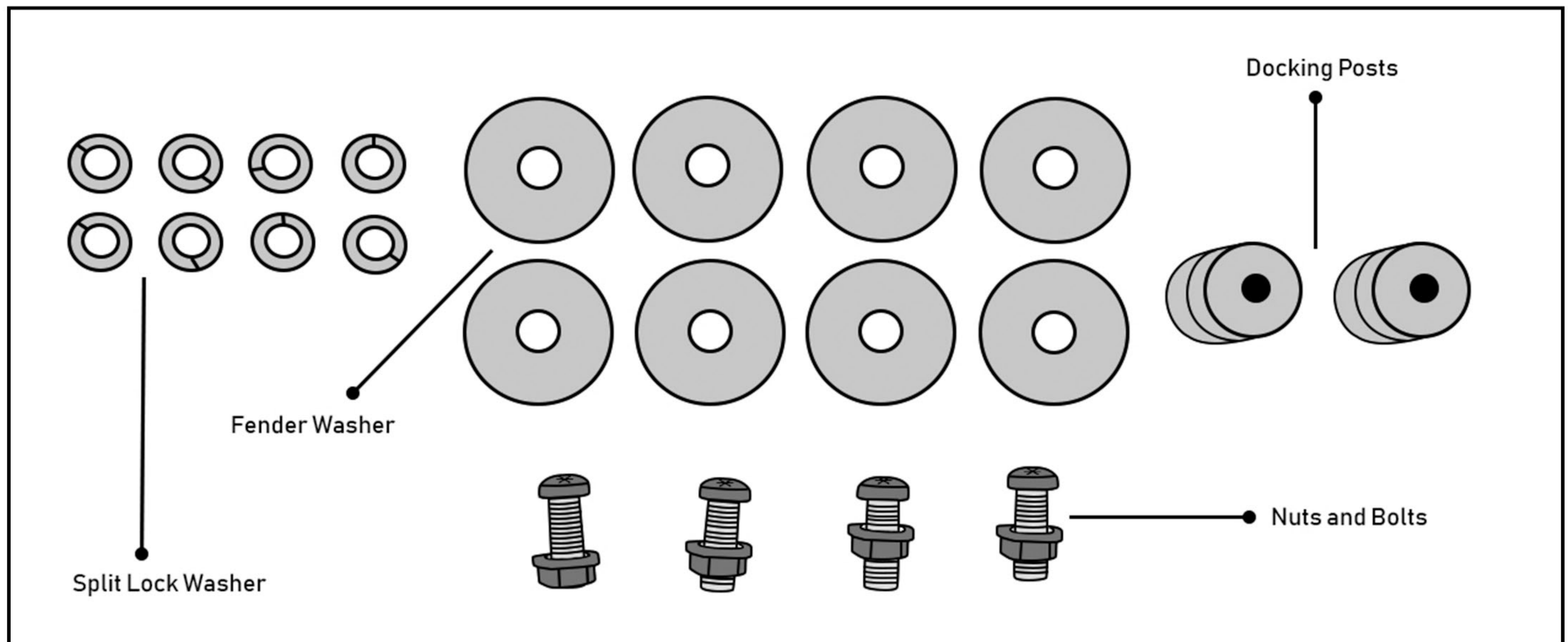
## Parts:

- i 10 mm Docking post (2 installed and 2 in the hardware box) x4
- ii Fender washer x8
- iii Split Lock Washer x8
- iv Nuts x4
- v Bolts x4
- vi Quick Disconnect Hardware x2

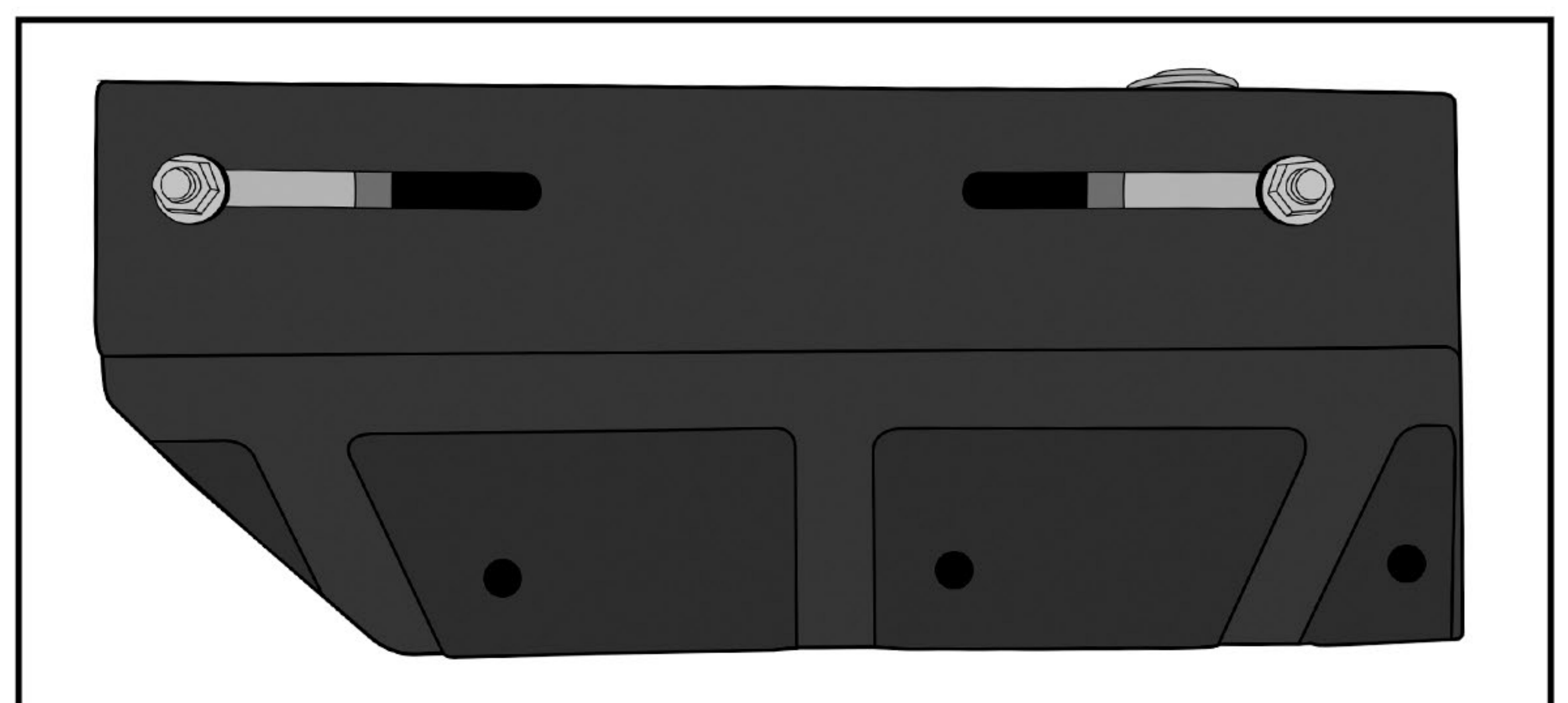
## Tools Needed:

- i Screw Driver
- ii Combination Wrench
- iii Power Drill with 8mm bit
- iv Marker

## Parts Diagram:



Front Side



Back side



## Instructions:

### Step 1:

Remove fender bolts

### Step 2:

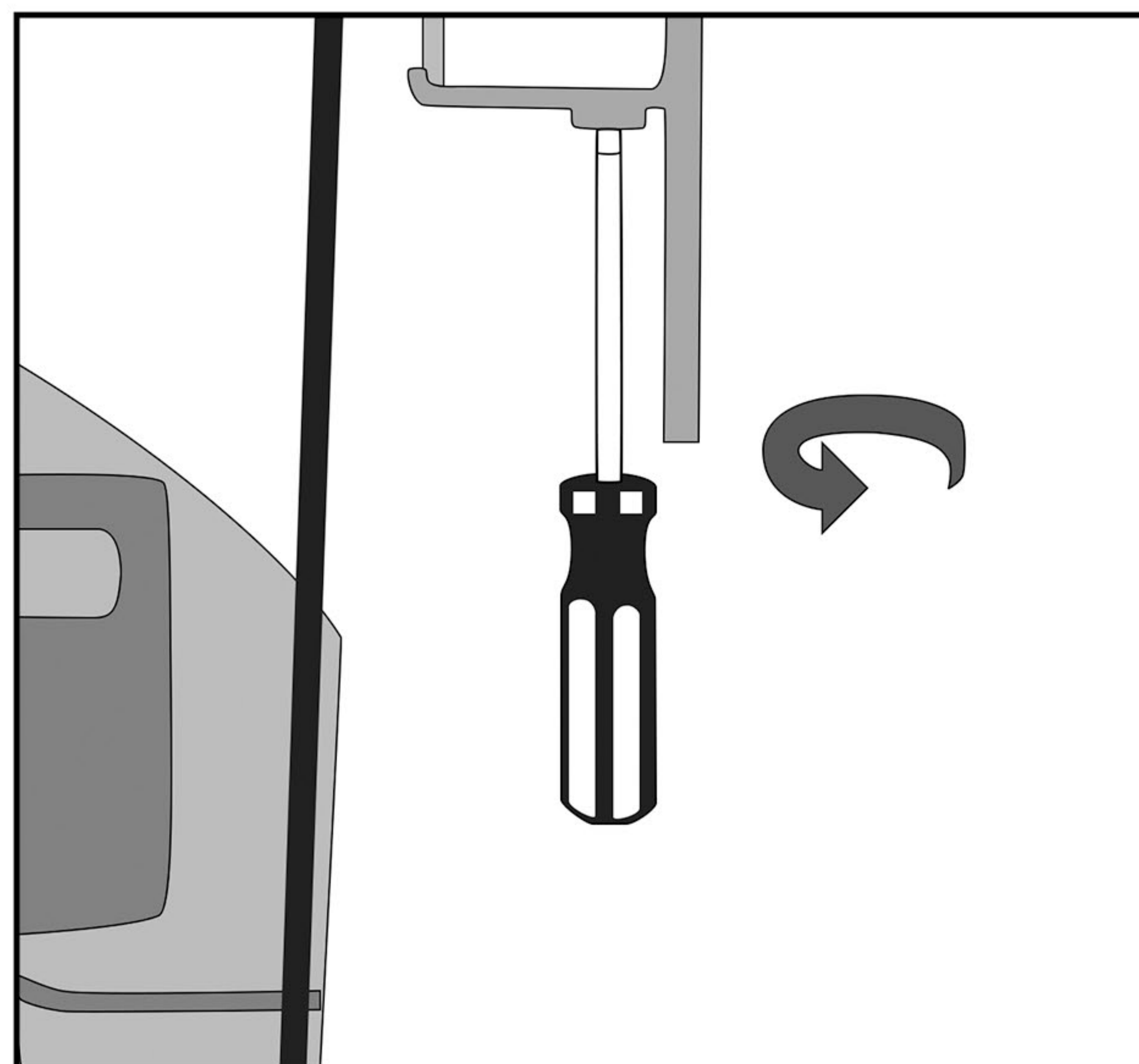
Mount docking posters in each of the two fender holes

### Step 3:

Make sure to put the key lock in unlock position and loosen the bolts on the bracket so the sliders are free. Then you can adjust the slider such that you can easily insert the docking post into the slots in the sliders

### Step 4:

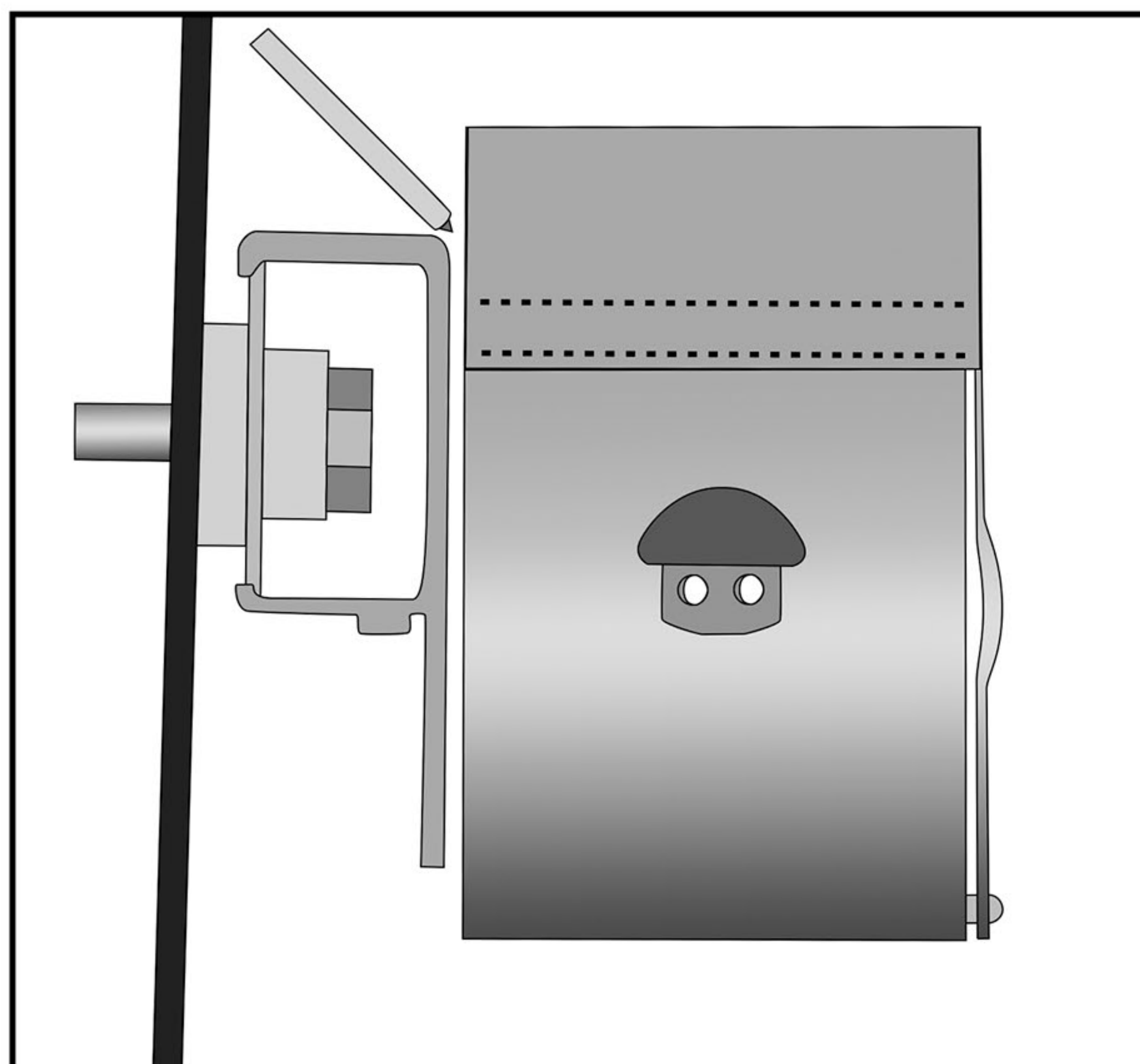
Once installed, tighten the bolts and make sure the fitment is smooth



**Fig 1. Tightening the bolts  
on the bottom**

### Step 5:

Hold the bag onto the bike's bracket, ensuring clearance from moving parts and exhaust. Mark the bracket outline on the bag with chalk or marker.



**Fig 2. Marking the outline of the bracket**

### Step 6:

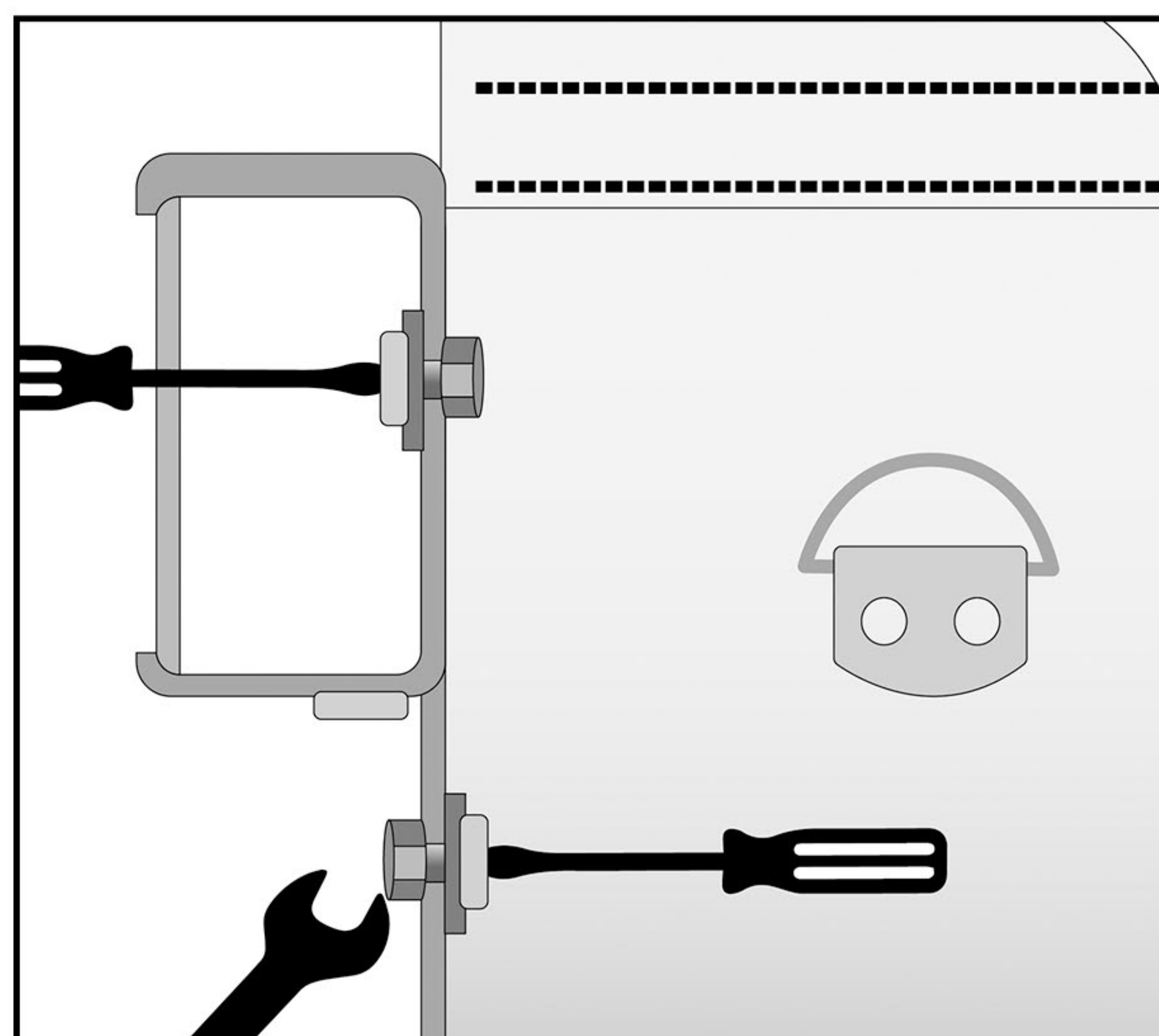
Place the bag on a clean soft surface with back facing up. Unmount the bracket and place it on the back of the bag such the bracket aligns with the marked outline. Then mark the five holes onto the bag. 2 holes are located in the sliding and the other 3 are on the bottom of the bracket.

### Step 7:

Remove the bracket and drill the 5 marked points

### Step 8:

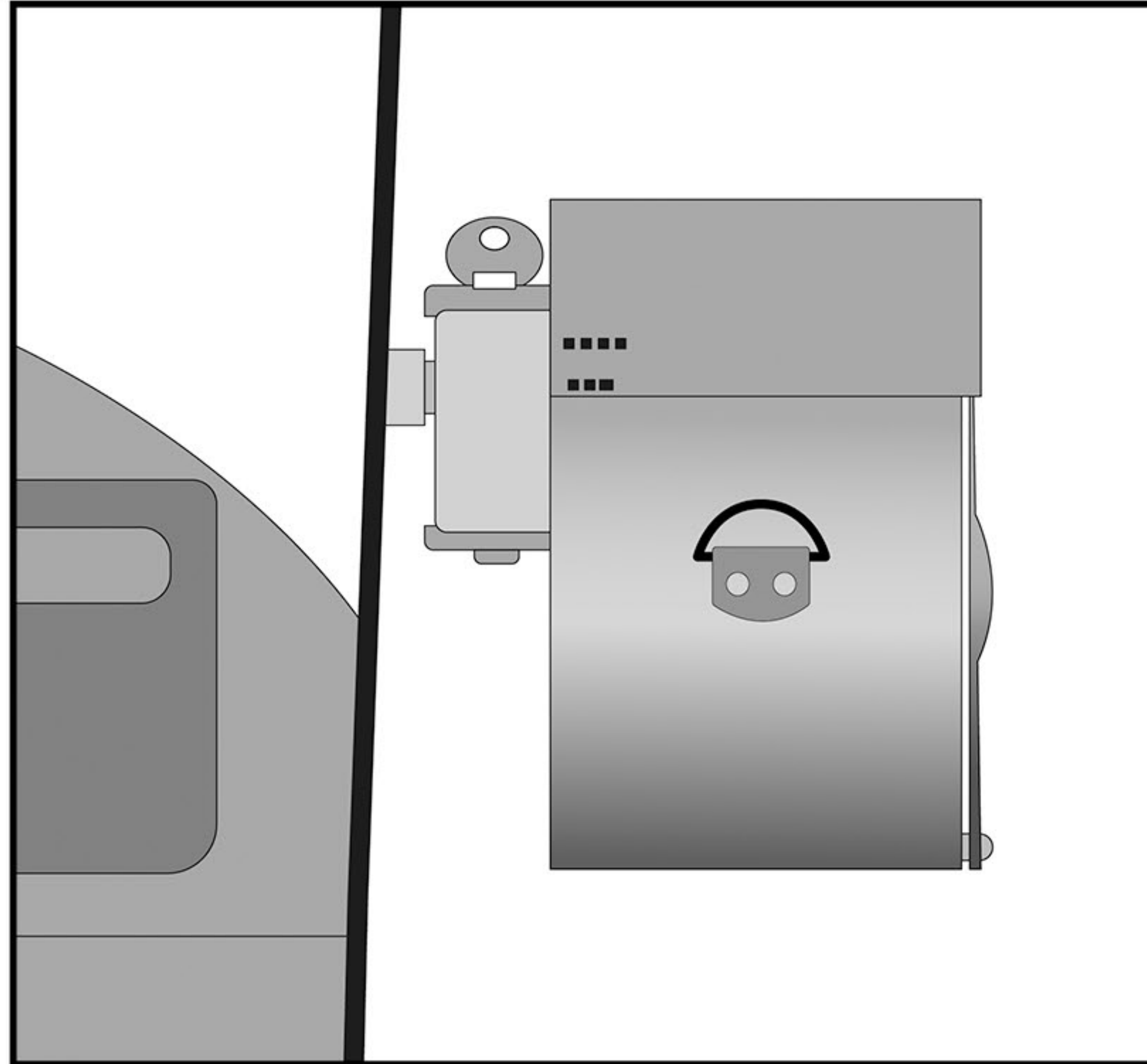
Once drilled, start from inside the bag, pass the mounting bolts on the sliders through the back of the bag and then through the bracket, and tighten the bolts using provided nuts.



**Fig 3. Installing the bracket to the bag**

## Step 9:

Mount the bracket onto the docking posts installed on the fender. Once properly in place, lock the bracket and take away the key. Make sure that all the bolts are tight. We recommended that you use blue lock tight with all the bolts



**Fig 4. Bag mounted on the bike with the Quick Disconnect System**

**Congratulations, your Viking Quick Disconnect System is installed and now you are ready to ride!**

### **Warnings!**

- Do not install if any of the mounting hardware is damaged or impaired.
- If you have any questions or concerns about the installation, call Viking Bags or consult your local mechanic
- Ensure no part of the bag constructs any of the moving parts of the bike
- Viking Bags is not liable for any damage or malfunctions caused to your motorcycle during the installation process
- Improper loading can cause vehicle handling problems leading to death or severe injury.