

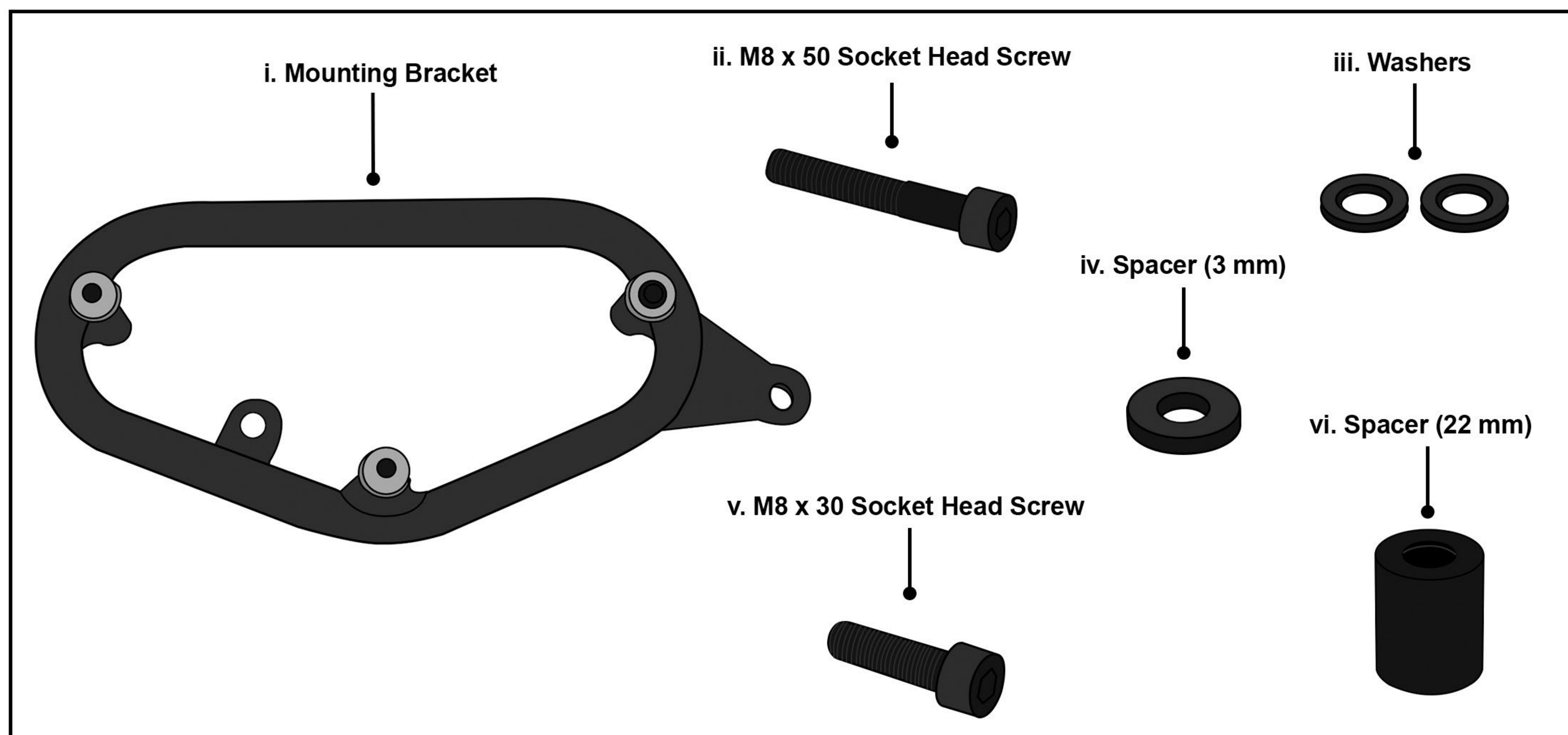
Viking Ironclad Solo Saddlebag Installation for Rebel 300/500:



Parts:

i	Mounting Bracket	x1
ii	M8 x 50 Socket Head Screw	x1
iii	Washers	x2
iv	Spacer (22 mm)	x1
v	M8 x 30 Socket Head Screw	x1
vi	Spacer (3 mm)	x1

Parts Diagram:



Installation:

Step 1:

Remove the 2 existing OEM bolts from the fender.

Step 2:

Install the mounting bracket to the rear of your fender using the provided spacers, screws and washers. Note that the thicker spacer (iv) should be installed towards the front of the mounting bracket and the thinner spacer (vi) should be installed towards the rear side.

See Figure 1.

We recommend using blue loctite. Tighten to 22 N-m.

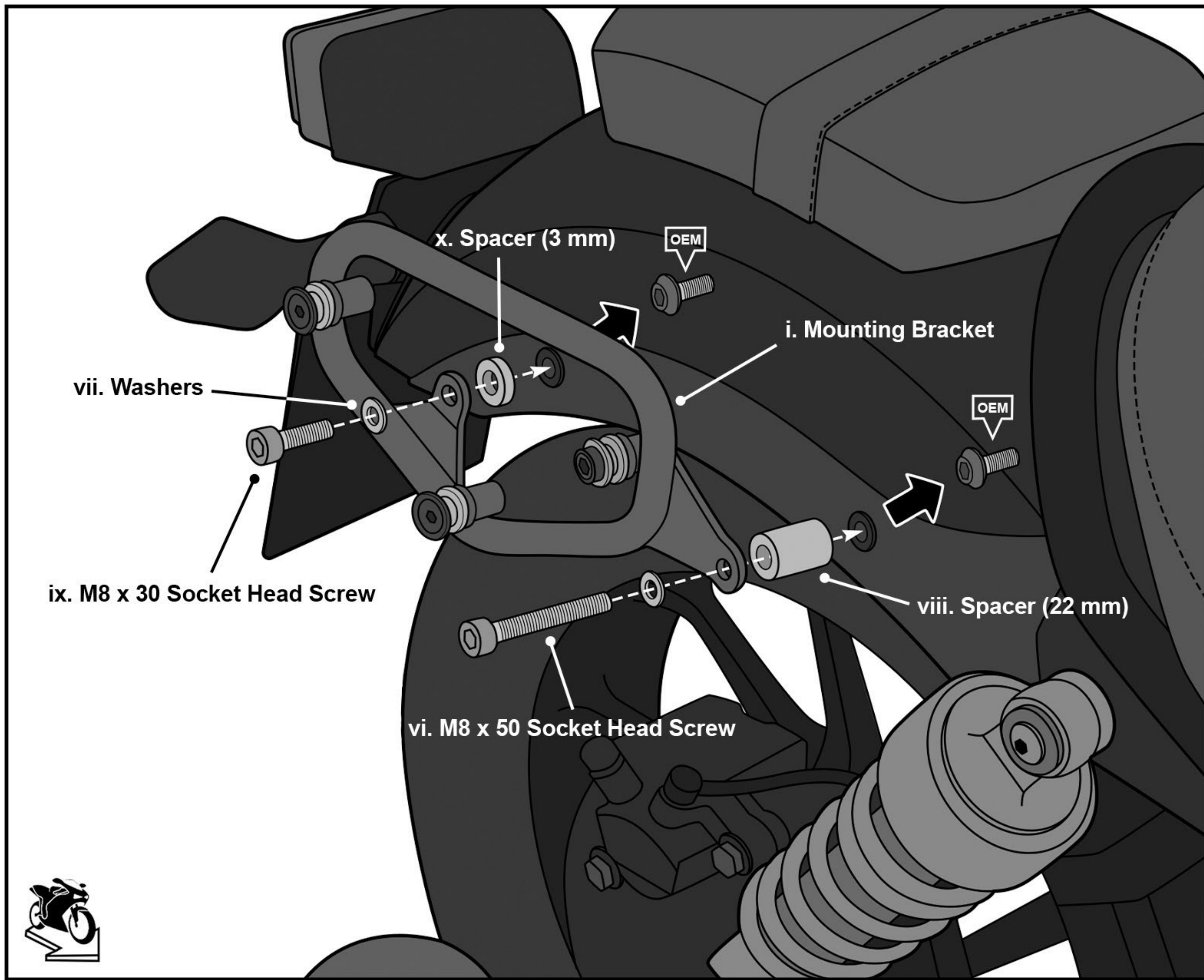


Fig 1. Installing the Mounting Bracket

Step 3:

The back of the bag comes equipped with a quick disconnect bracket. Attach the bag to the mounting bracket by aligning the holes in the quick disconnect bracket with the 3 docking posts. Push the bag downwards so that the docking posts engage with the grooves in the bracket and the bag locks in. See Figure 2.

Pull the lever to disengage the lock and remove the bag.

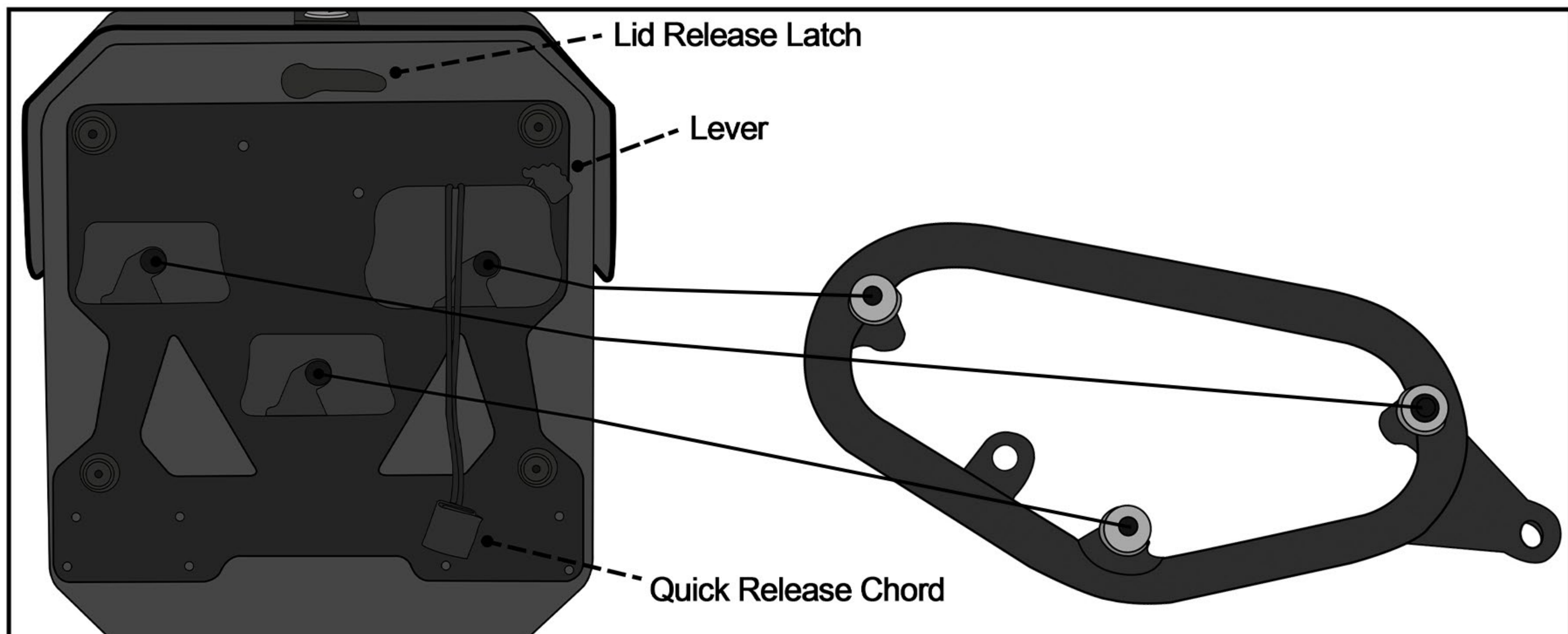
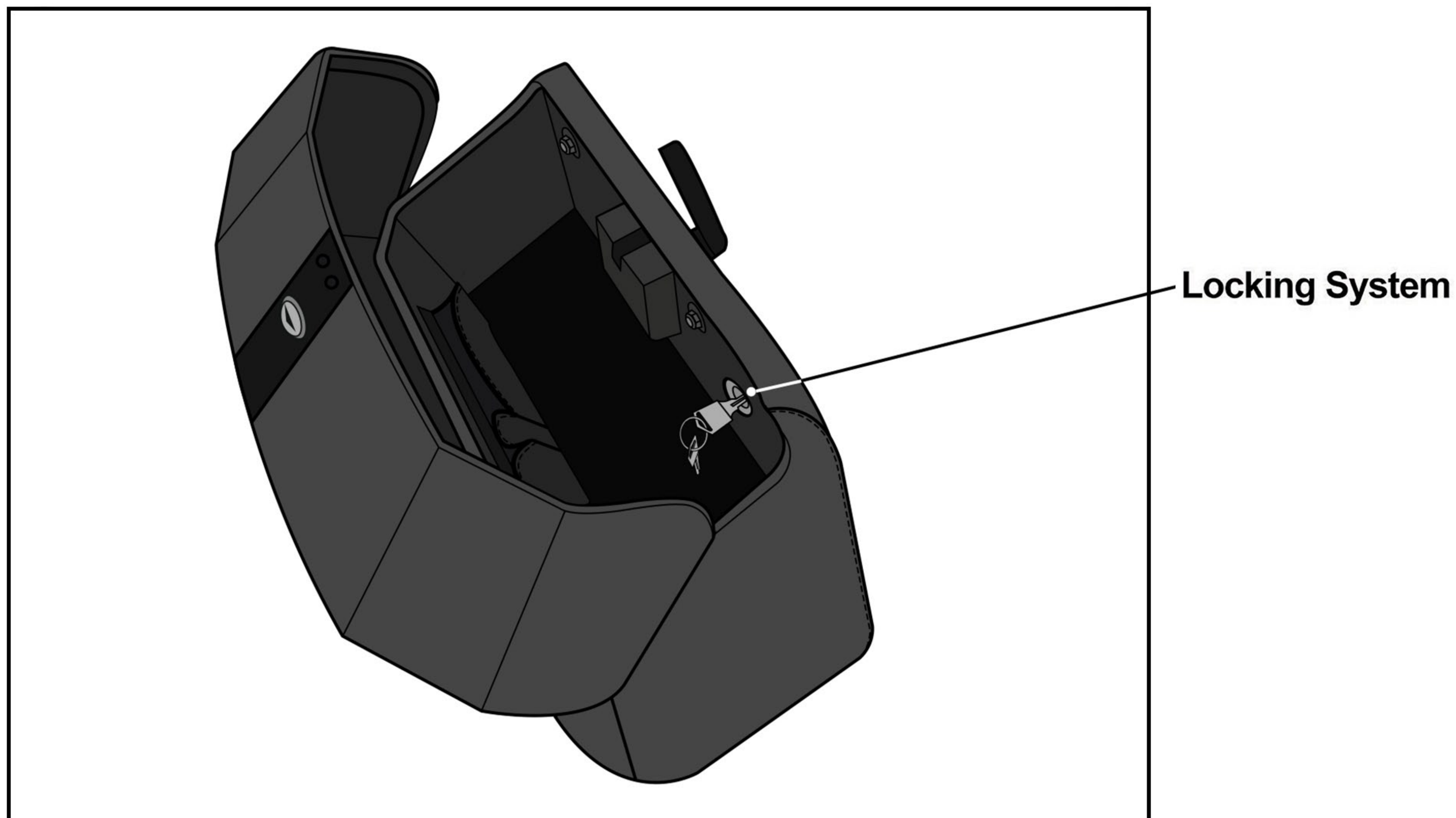


Fig 2. Attaching the Saddlebag

Tip:

The quick disconnect system is key lockable. Lock / unlock the quick disconnect system from inside the bag to secure your bag against theft.



Locking System

Congratulations, your Viking Ironclad Solo Bag is installed and you are ready to ride!

Warnings!

- Do not install if any of the mounting hardware are damaged or impaired.
- If you have any questions or concerns about the installation, call Viking Bags or consult your local mechanic
- Ensure no part of the bag constructs any of the moving parts of the bike
- Viking Bags is not liable for any damage or malfunctions caused to your motorcycle during the installation process
- Improper loading can cause vehicle handling problems leading to death or severe injury.
- Periodically check the bolts on your bike for tightness.