

Viking Detachable Solo Saddlebag:



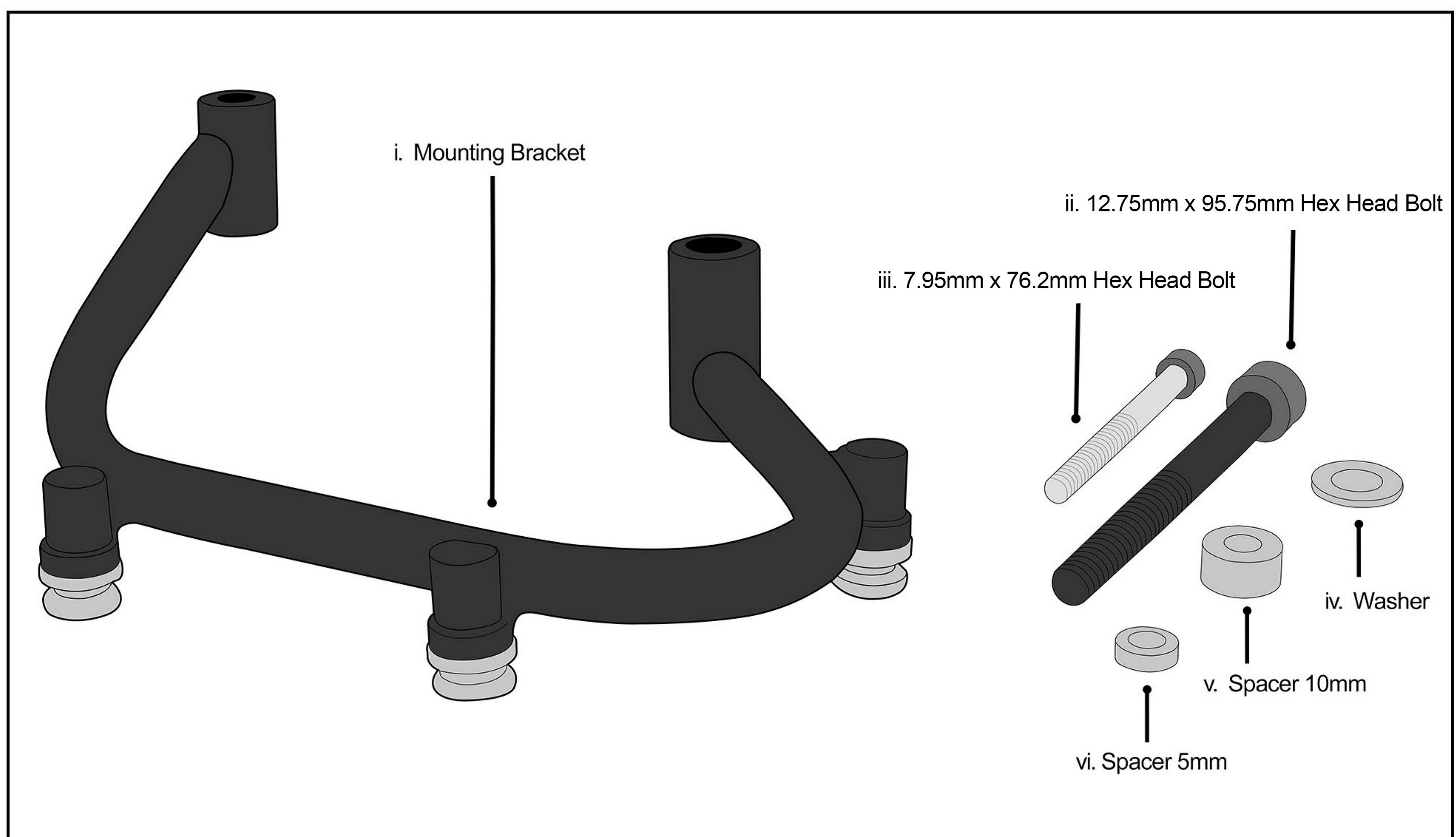
Parts:

i	Mounting Bracket	x 1
ii	12.75mm x 95.75mm Hex Head Bolt	x 1
iii	7.95mm x 76.2mm Hex Head Bolt	x 1
iv	Washer	x 1
v	Spacer 10mm	x 1
vi	Spacer 5mm	x 1
vii	Detachable Solo Bag	x 1

Note:

- Before starting step 1 make sure to lift up the motorcycle with a suitable motorcycle jack
- The mounting Steps 1 and 2 show the mounting of the left mounting bracket only

Parts Diagram:



Step 1

Remove the bolts from the shock strut and motorcycle frame as shown in Fig 2.

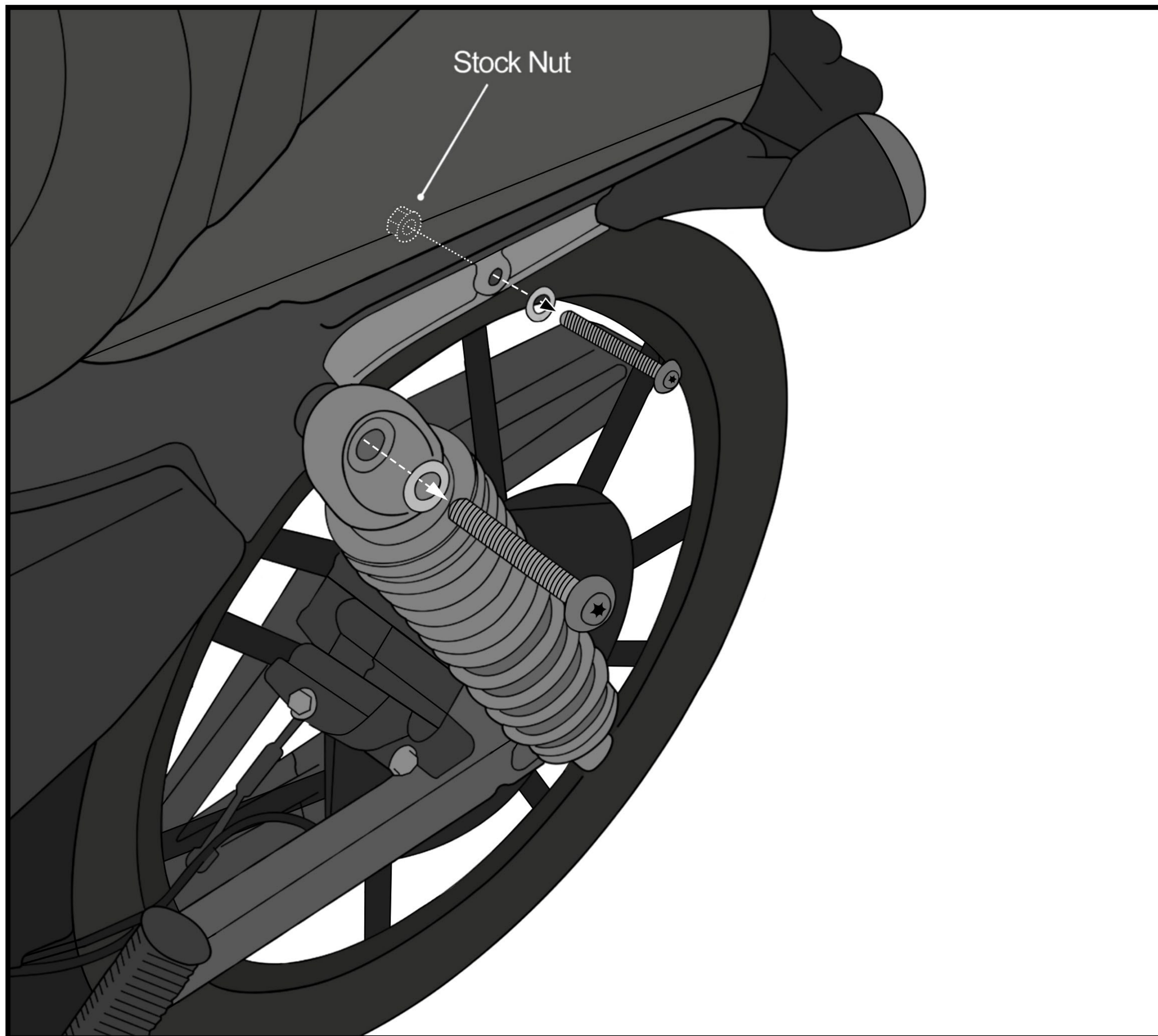
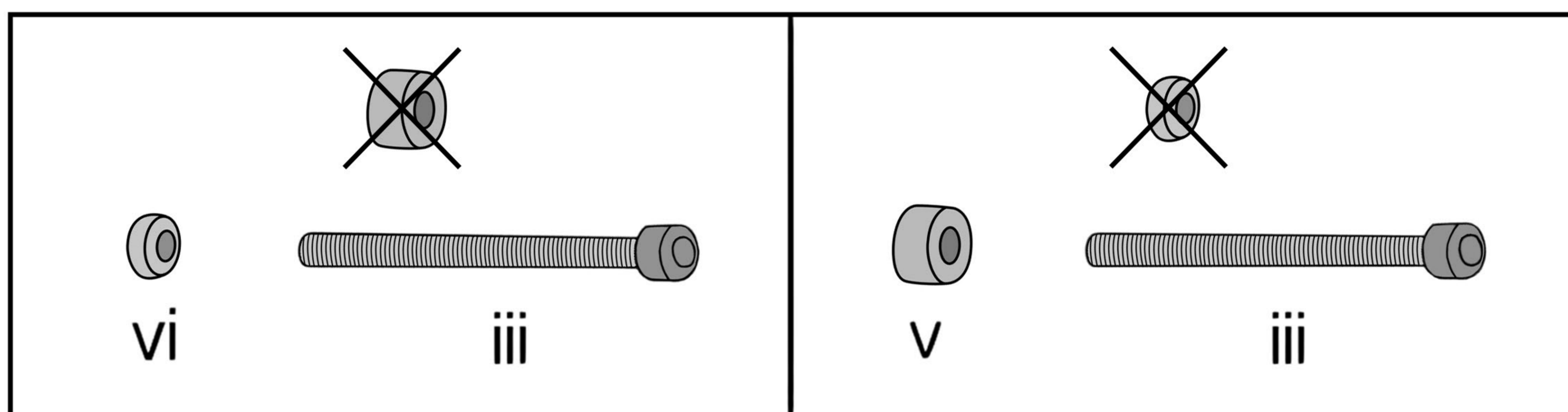


Fig2. Removing the bolts

Note:

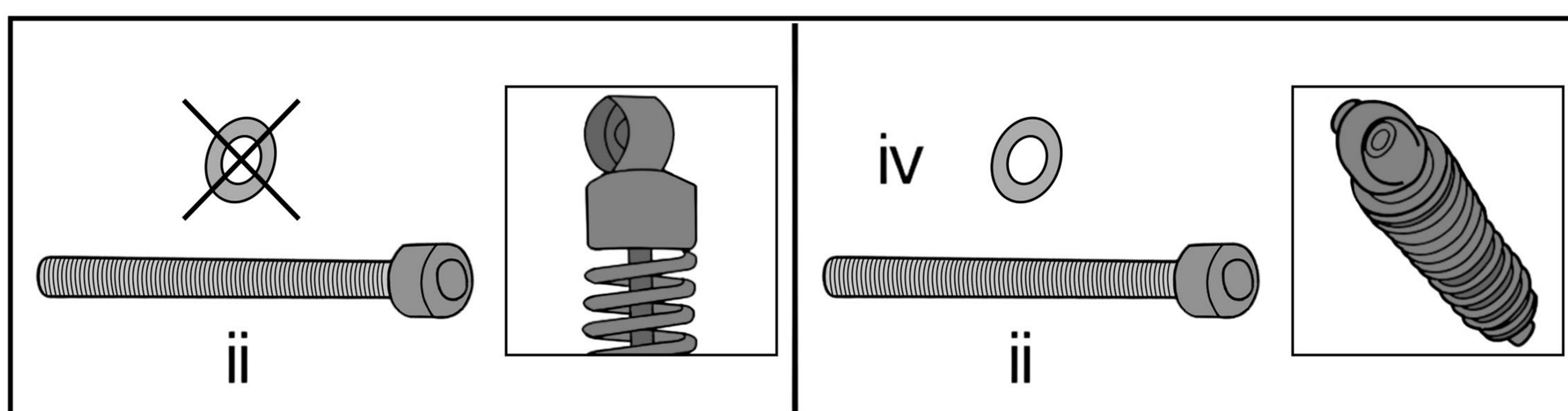
i. Use the correct configuration of mounting hardware for your motorcycle model as shown in Fig 3. and Fig 4. before step 2



All other models

1200 Sportster 2016 and up
and 1200 Roadster

Fig 3. Configuration of Fender Strut



Shock Strut without Cap

Shock Strut with Cap

Fig 4. Configuration of Shock Strut

Step 2

Attach the mounting bracket (i) to the motorcycle frame as shown in Fig 5 and use the stock nut. Make sure to tighten the bolts using the manufacturer's recommended torque.

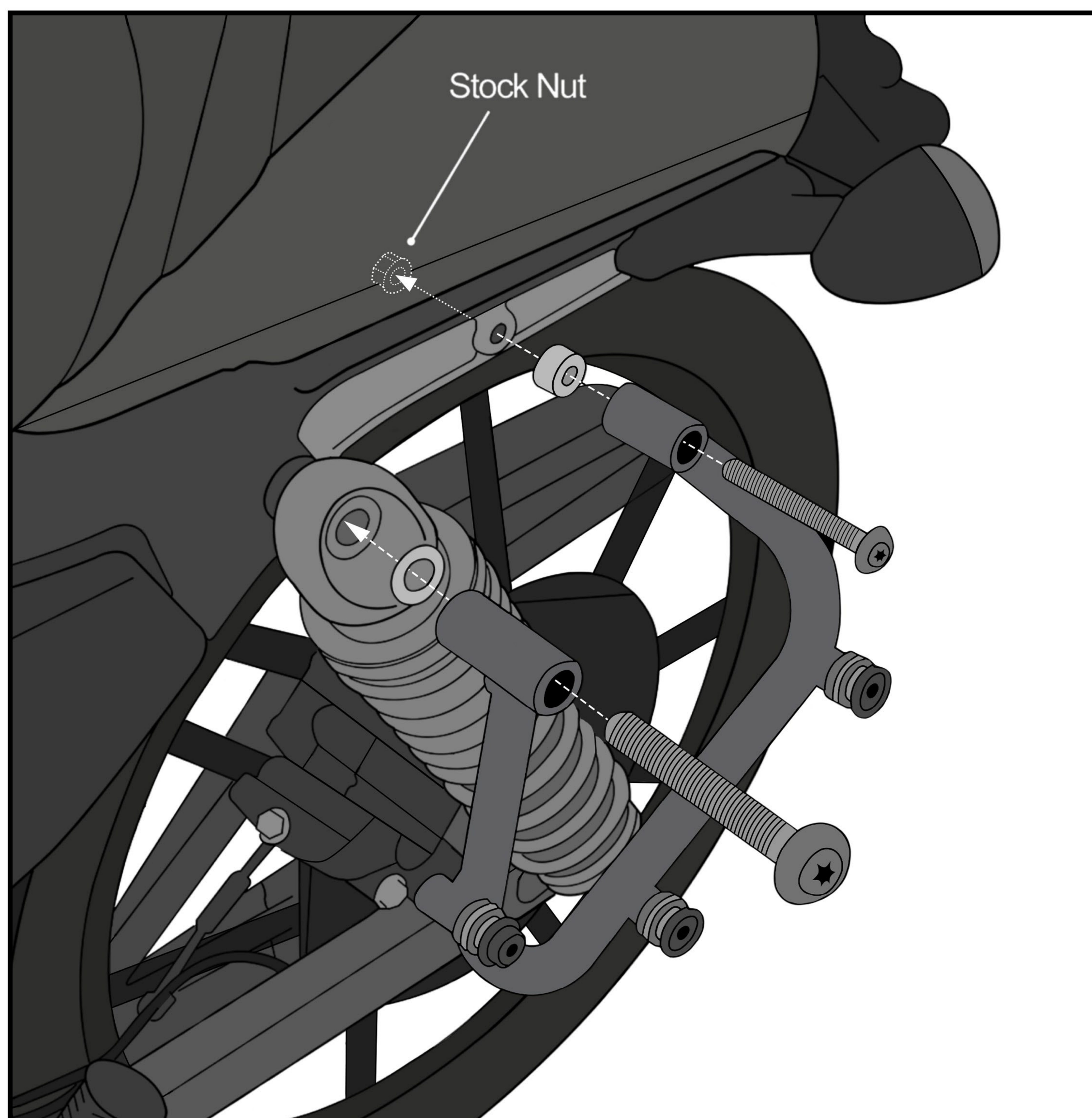


Fig 5. Installing the mounting bracket

Step 3

Use the pre-installed adapter plate in the back of the Viking Detachable Solo Bag to mount it on the bracket as shown in Fig 6. Press the Solo Bag onto the mounting pegs until it properly rests on the mounting bracket.

In order to release the bag, press the lever or pull the quick-release cord.

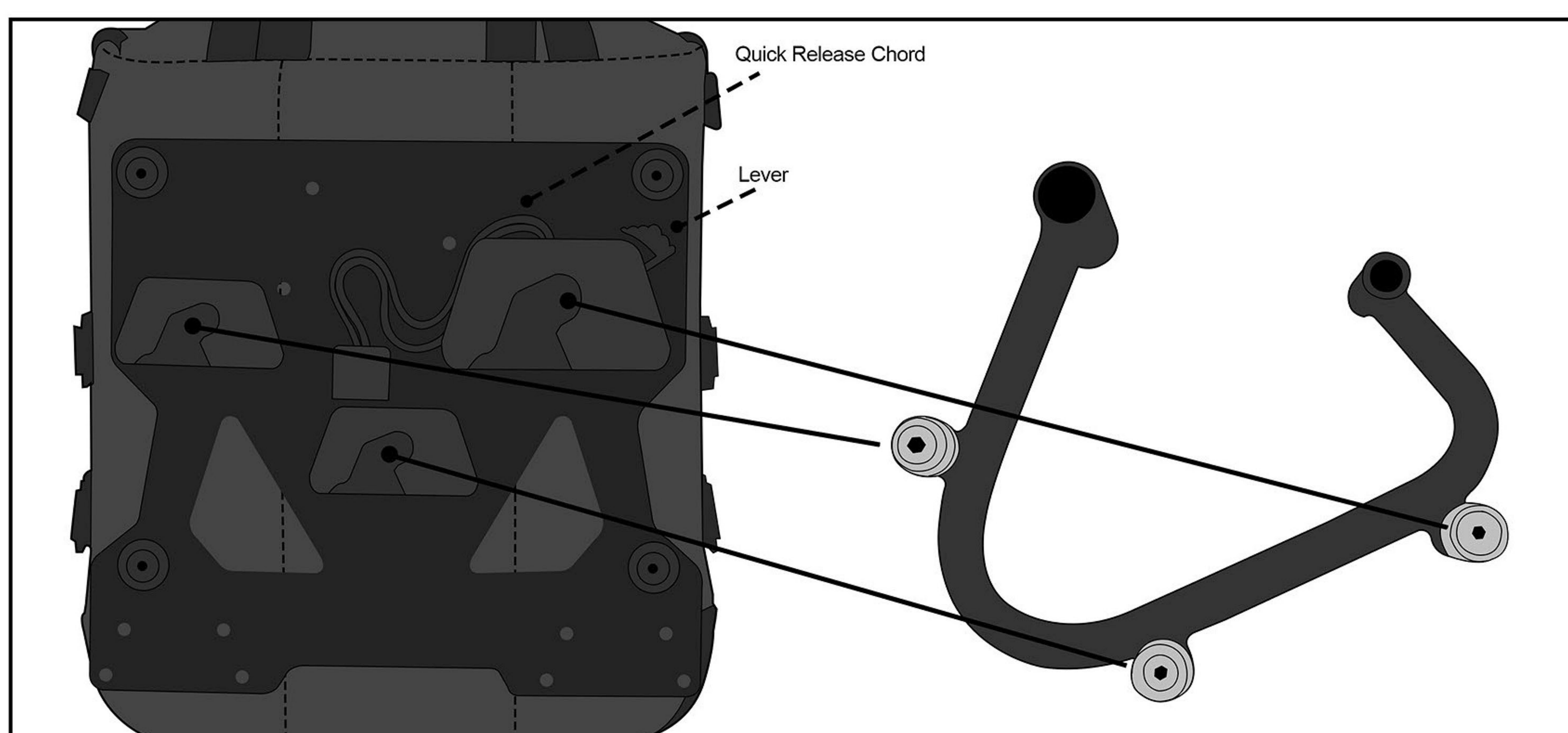
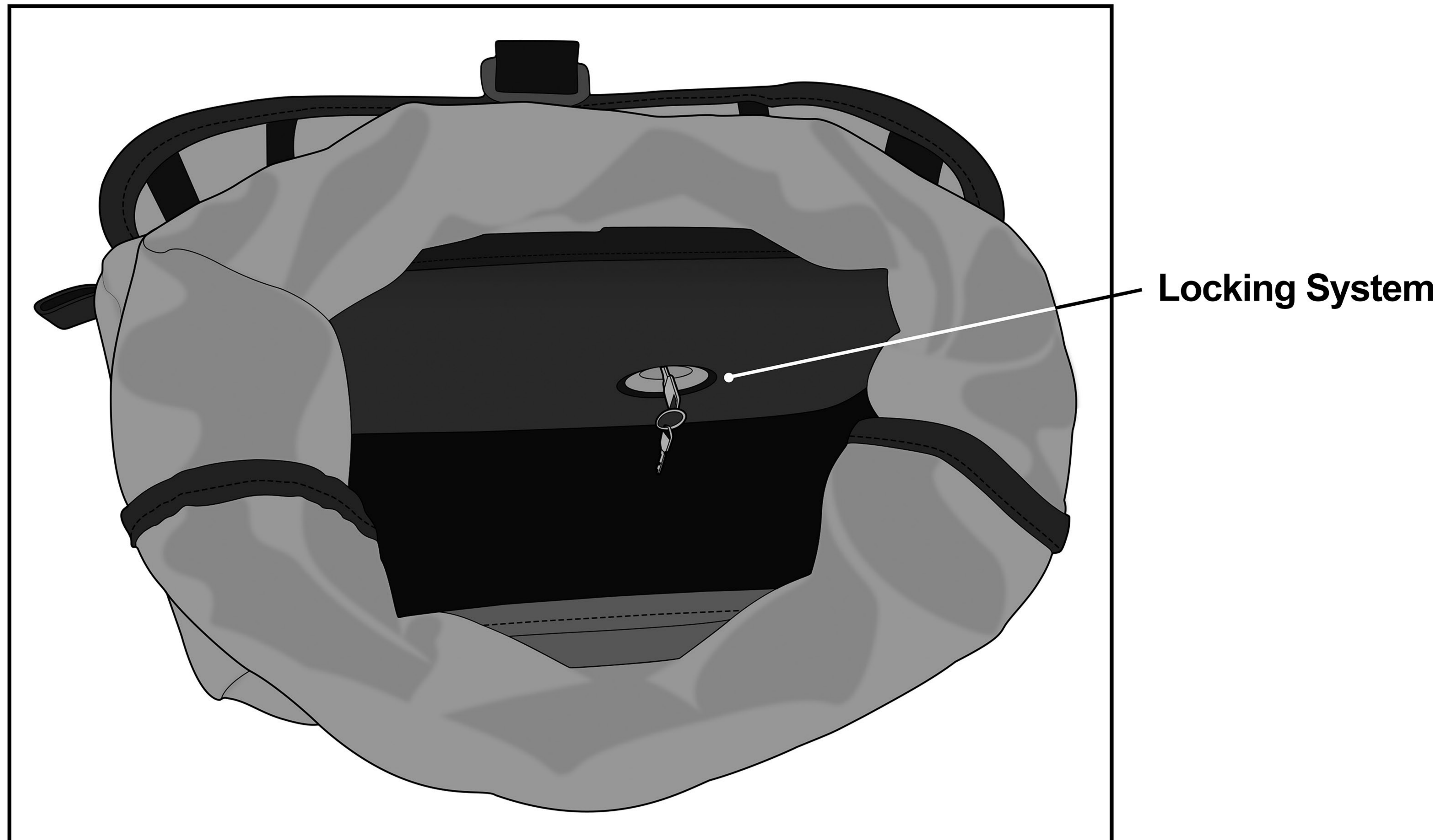


Fig 6. Installing bag on the mounting bracket

Tip:

The Quick Detach Mounting System of the bag is lockable. Use the provided set of keys to secure the quick detach mounting system of the bag.



locking system located below the waterproof liner

**Congratulations, your Viking Detachable Solo Bag is
installed and you are ready to ride!**

Warnings !

- Do not install if any of the mounting straps are damaged or impaired.
- If you have any questions or concerns about the installation, call Viking Bags or consult your local mechanic
- Ensure no part of the bag constructs any of the moving parts of the bike
- Viking Bags is not liable for any damage or malfunctions caused to your bike during the installation process
- Improper loading can cause vehicle handling problems leading to death or severe injury.