

Viking Quick Mount Saddlebag Installation for Yamaha Bolt:



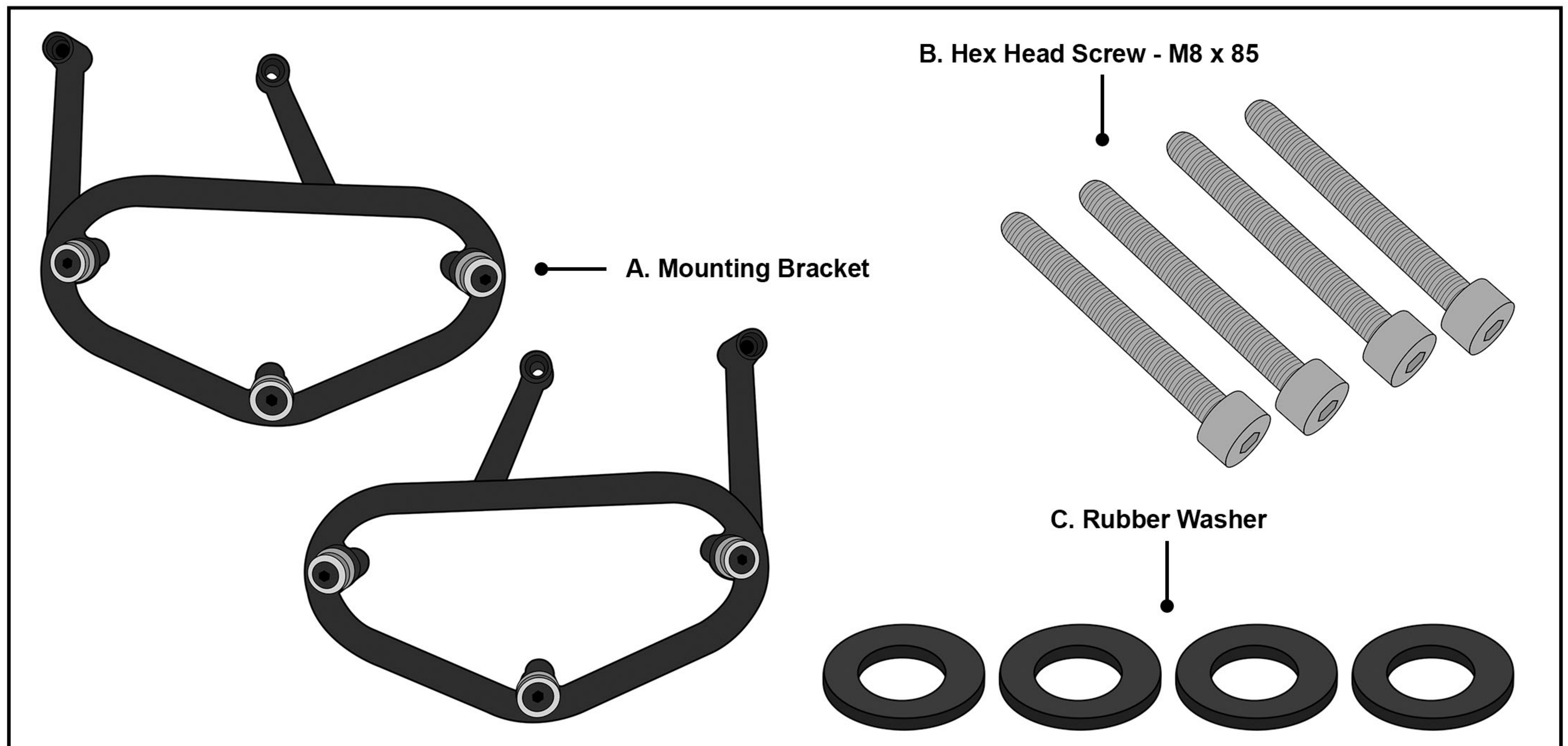
Parts List:

A	Mounting Bracket	x2
B	Hex Head Screw - M8 x 85	x4
C	Rubber Washer	x4

Note:

- The installation shows mounting on one side only, you can follow the same steps for the other side.

Parts Diagram:



Parts Diagram

Installation Instructions:

Step 1:

Remove the OEM bolts from the motorcycle fender.

Step 2:

Install the motorcycle mounting bracket (A) using the provided hardware. Refer to Fig 1.

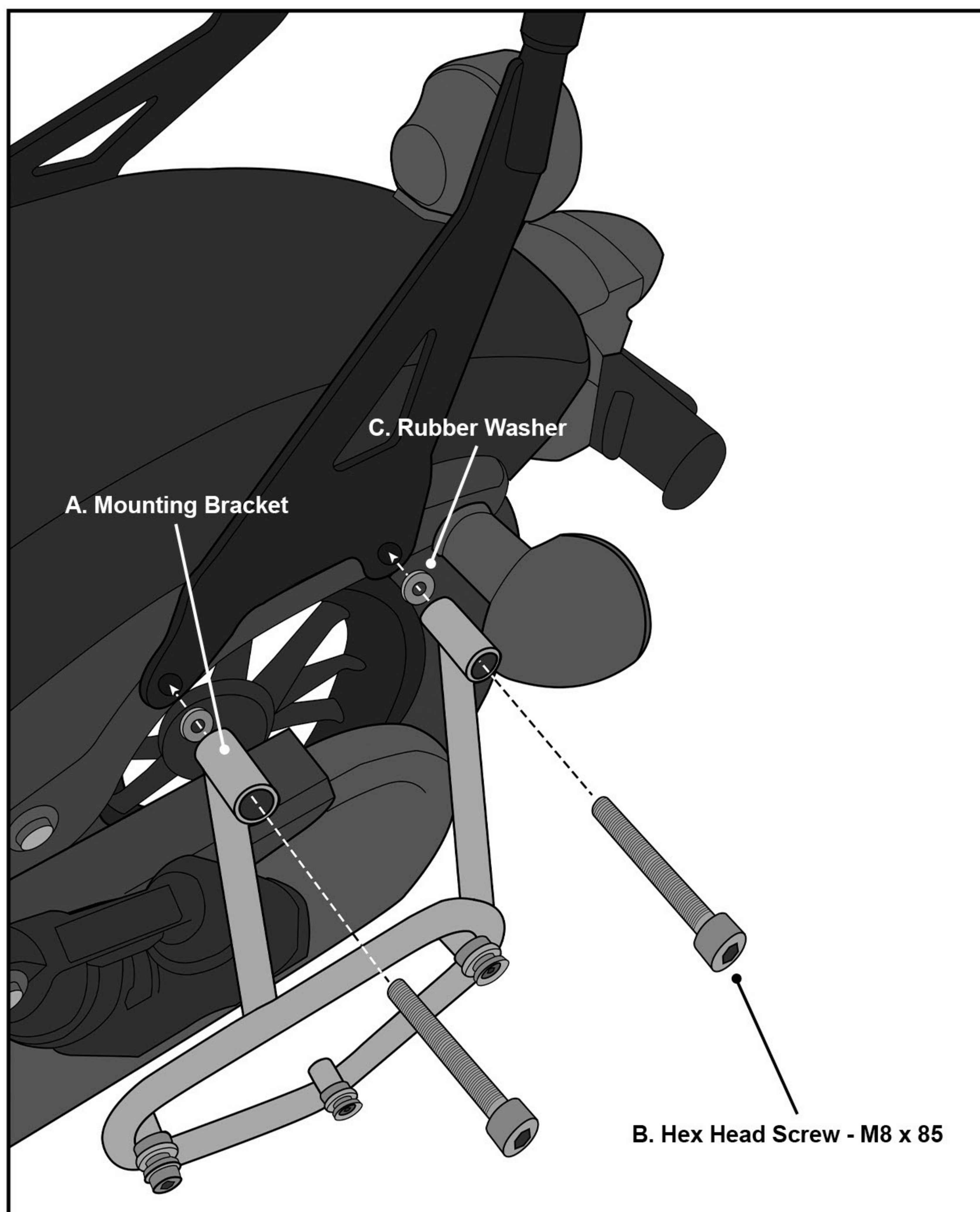


Fig 1. Attaching the Mounting Bracket

Step 3:

Use the pre-installed adapter plate in the back of the Viking Detachable Bag to mount it on the bracket as shown in Fig 2. Press the Bag onto the mounting pegs until it properly rests on the mounting bracket.

To release the bag, press the lever or pull the quick-release cord.

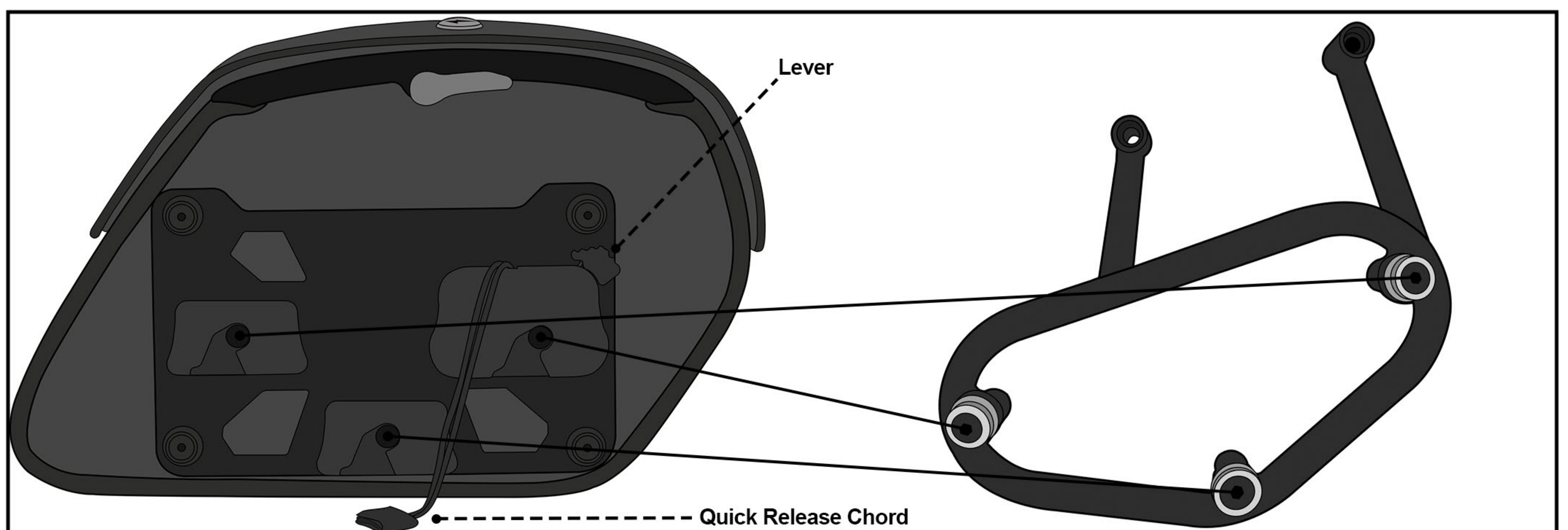


Fig 2. Attaching the Saddlebag

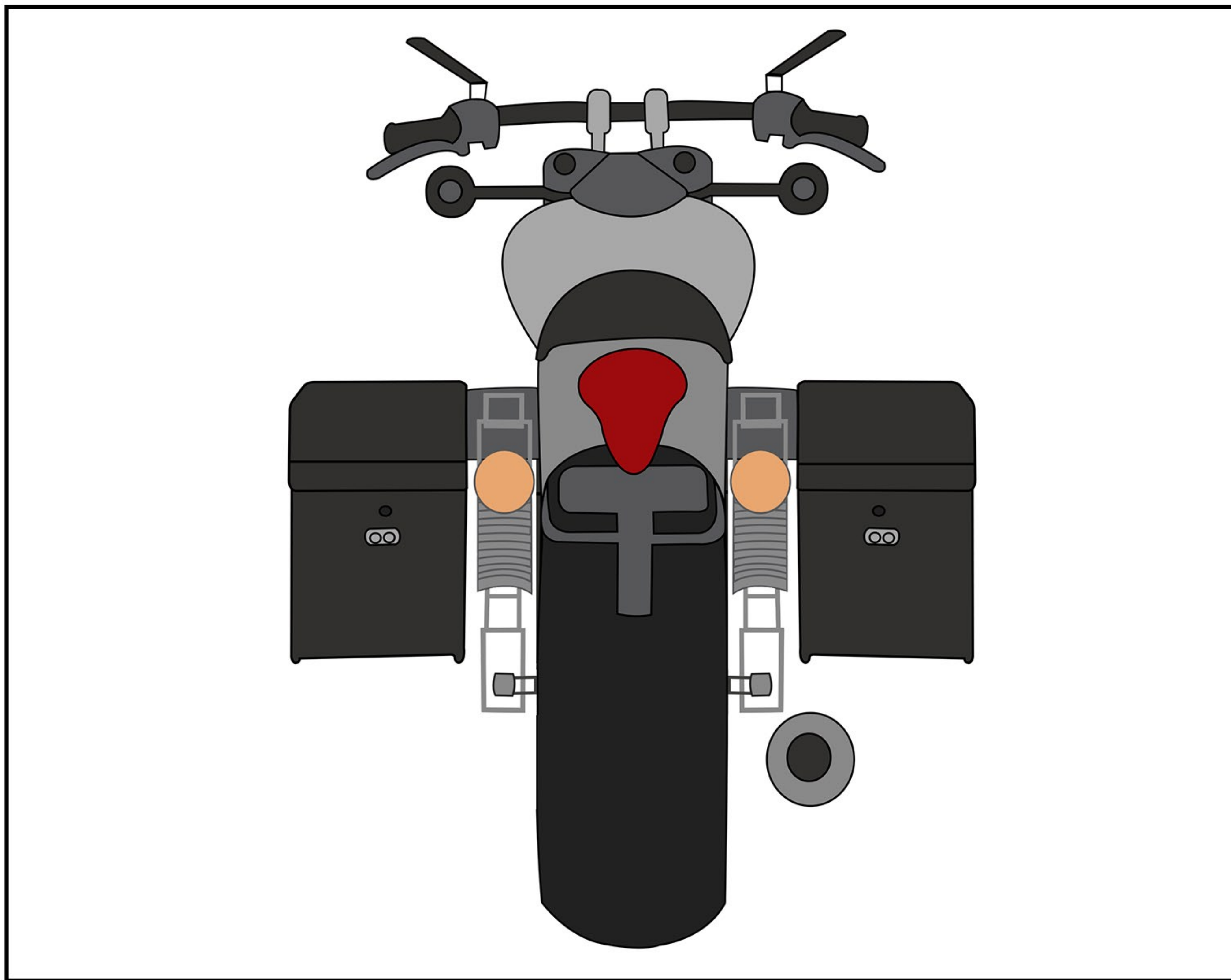
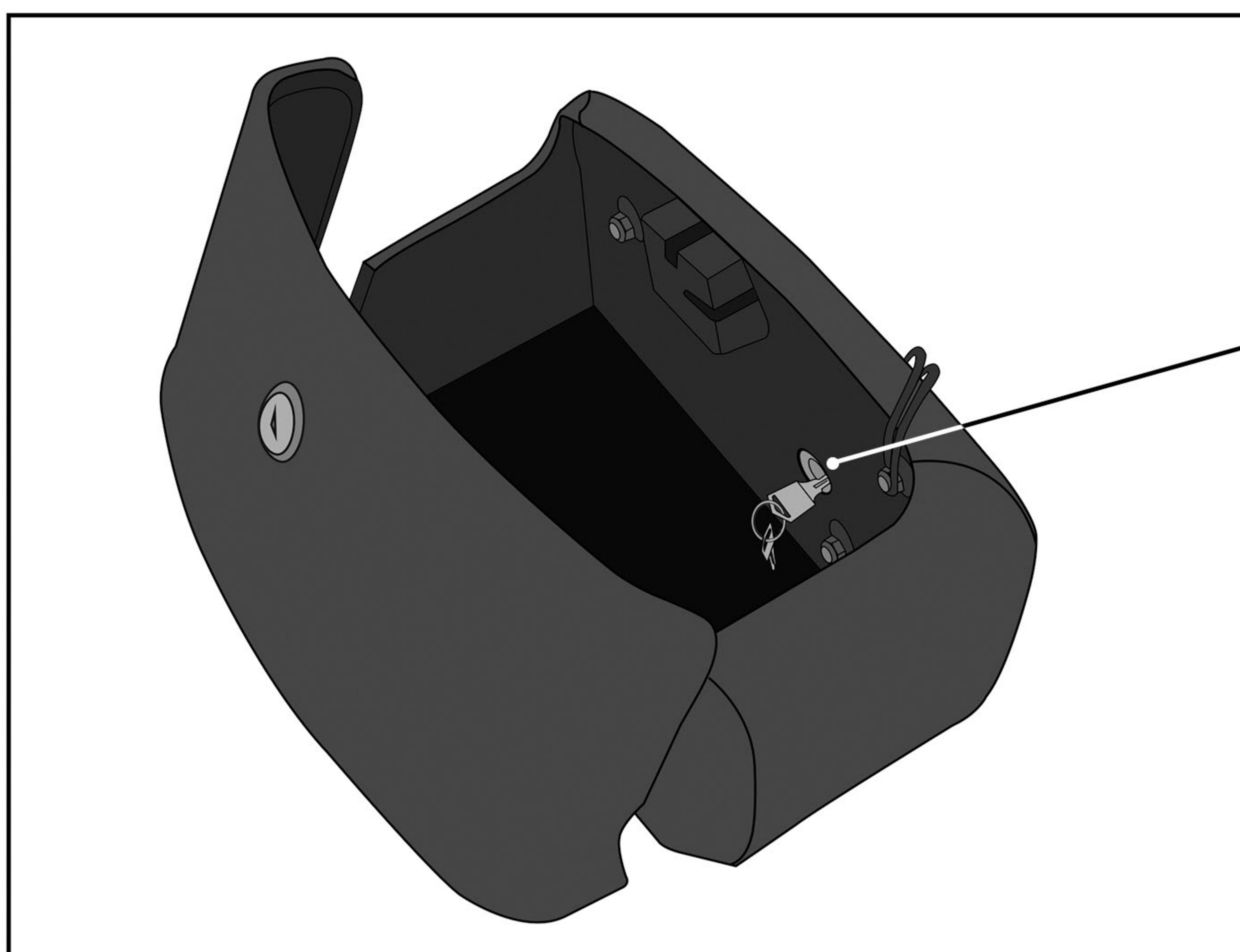


Fig 3. Both Saddlebags Installed

Tip:

The quick disconnect system is key lockable. Lock / unlock the quick disconnect system from inside the bag to secure your bag against theft.



Locking System

Locking System

Congratulations, your Viking Quick Mount SaddleBag is installed and you are ready to ride!

Warnings!

- Do not install if any of the mounting hardware are damaged or impaired.
- If you have any questions or concerns about the installation, call Viking Bags or consult your local mechanic
- Ensure no part of the bag constructs any of the moving parts of the bike
- Viking Bags is not liable for any damage or malfunctions caused to your motorcycle during the installation process
- Improper loading can cause vehicle handling problems leading to death or severe injury.
- Periodically check the bolts on your bike for tightness.