

Viking Quick Mount Saddlebag for Triumph Bonneville T100/T120:



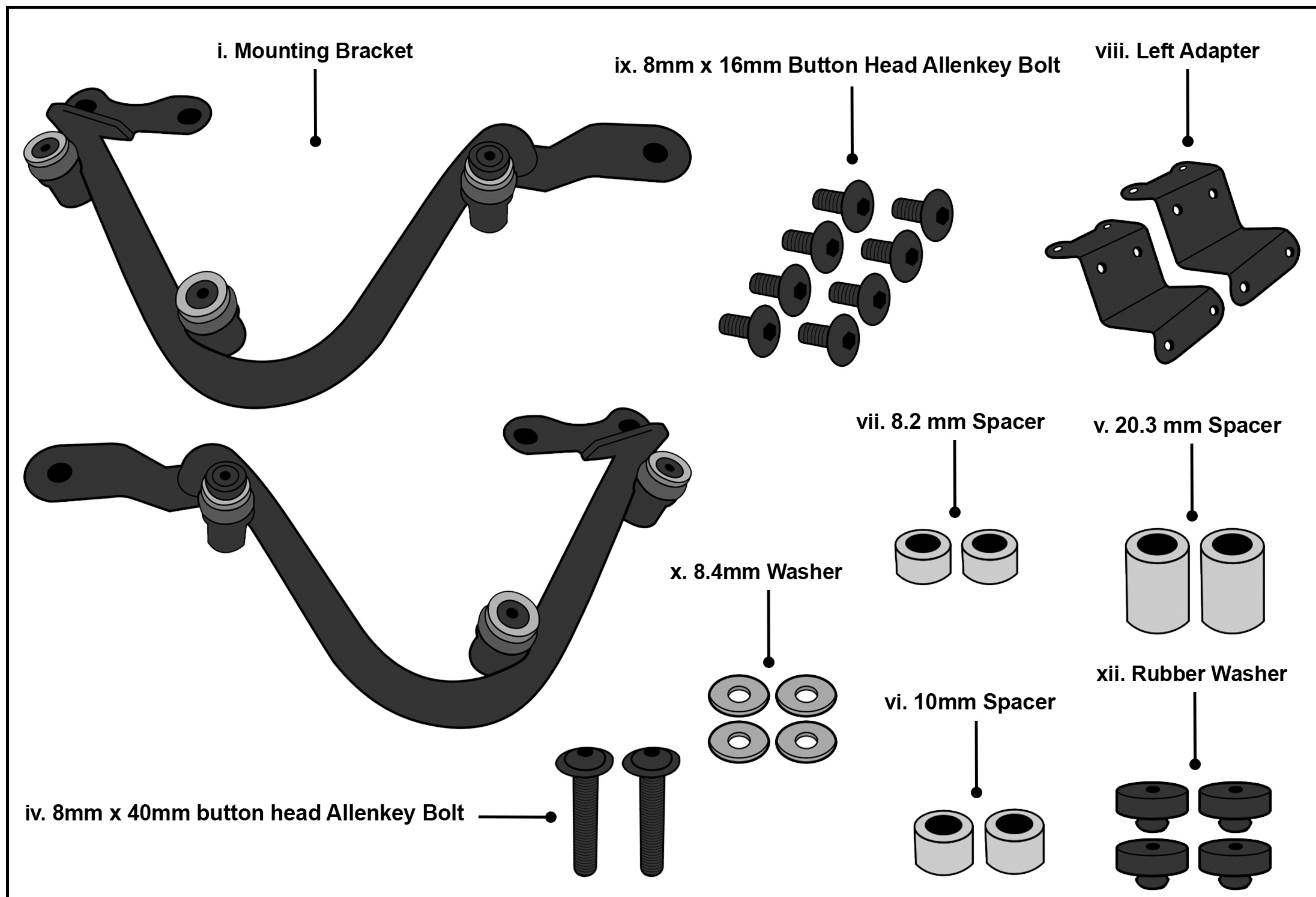
Parts:

| | | |
|------|--------------------------------------|----|
| i | Left Mounting Bracket | x2 |
| ii | Guide Bolt | x6 |
| iii | Lock Bolt | x2 |
| iv | 8mm x 40mm button head Allenkey Bolt | x2 |
| v | 20.3 mm Spacer | x2 |
| vi | 10mm Spacer | x2 |
| vii | 8.2 mm Spacer | x2 |
| viii | Left Adapter | x2 |
| ix | 8mm x 16mm Button Head Allenkey Bolt | x8 |
| x | 8mm Spring Washer | x8 |
| xi | 8.4mm Washer | x4 |
| xii | Rubber Washer | x4 |

Note:

- i. The installation shows mounting on one side only, you can follow the same steps for the other side.
- ii. You may not use all the provided bolts in the kit depending on your motorcycle set up

Parts Diagram:



Parts List

Instructions:

Step 1:

Remove your motorcycle seat.

Step 2:

Note: This step is for motorcycles with a passenger grab rail, if you do not have a passenger grab rail move to step 3

Install the left mounting bracket using the provided 20.3mm spacer (v.), 8mm x 40mm button head allenkey bolts, and your motorcycle

OEM shock bolt. (move to step 5)

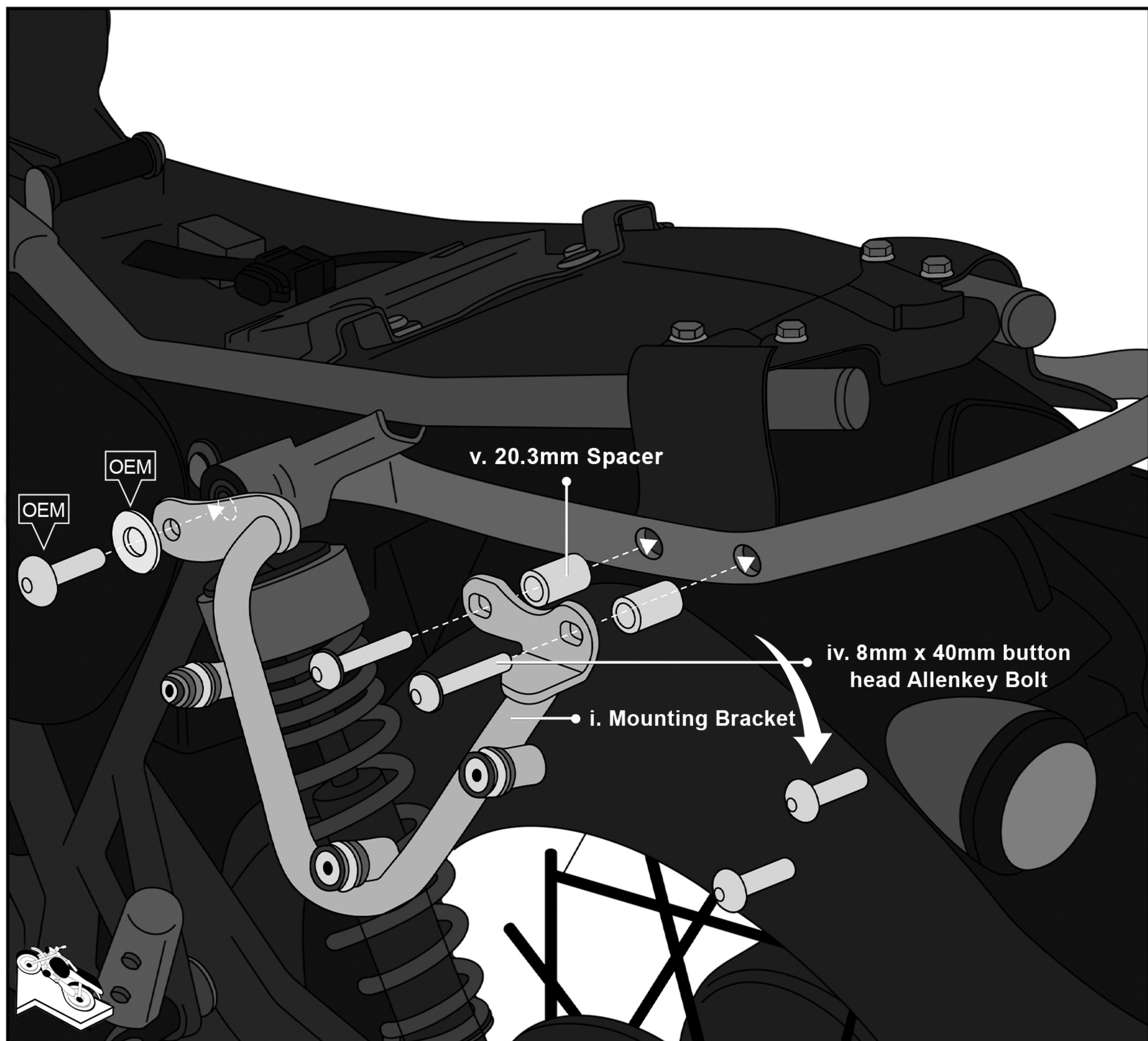


Fig 1. Installing the bracket

Step 3:

Note: Follow these steps if you do not have a passenger grab rail

Insert the rubber washer into the center openings of the adapter and take off your shock bolt. Now install the adapter (VIII.) with the provided 8mm x 16mm Button Head Allenkey bolts (IX). See Fig 2.

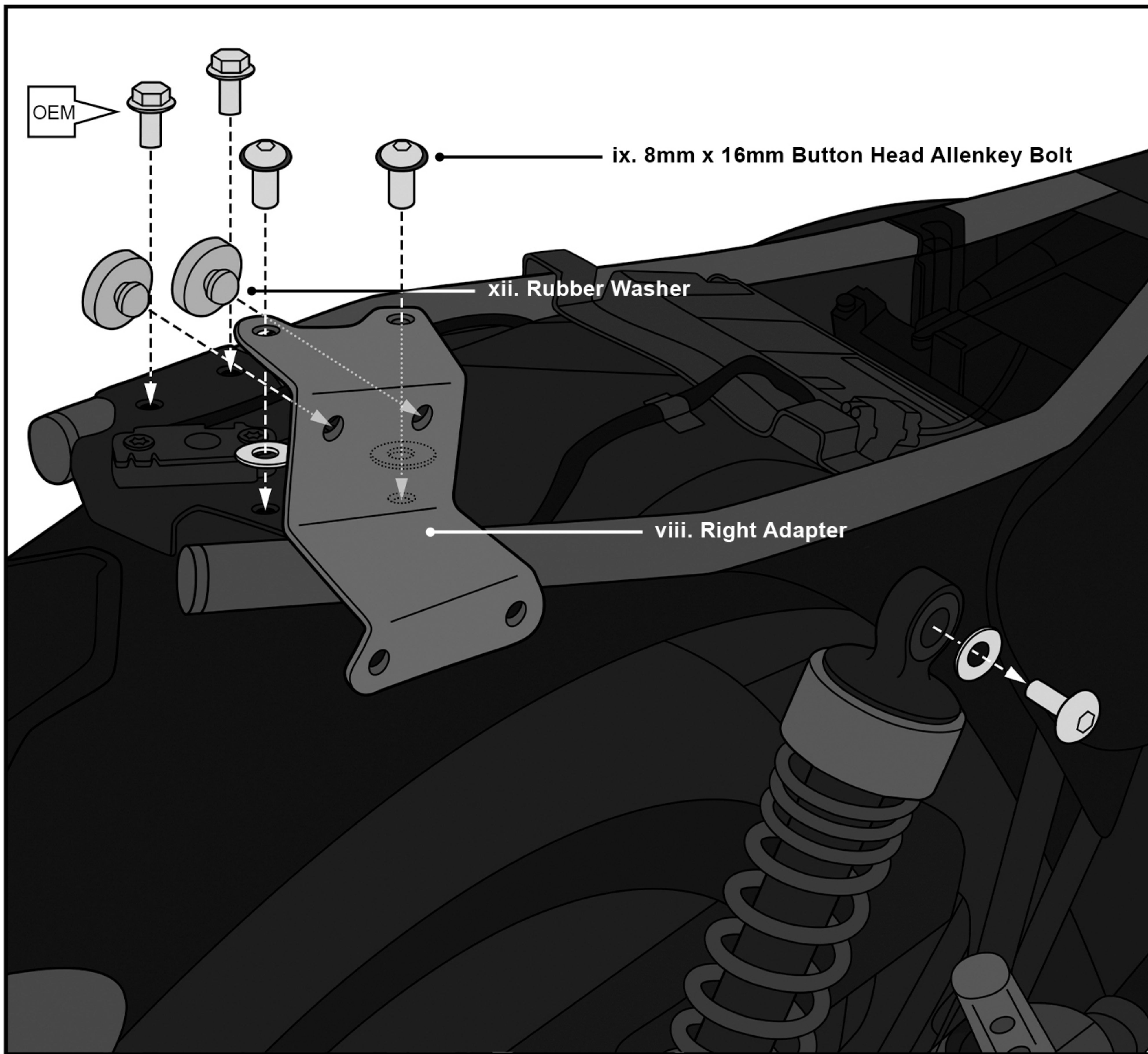


Fig 2. Installing the adapter

Step 4:

Now that you have your adapter on your motorcycle fender. Use the OEM screws and 8mm x 16mm Button Head Allenkey Bolts(IX.) provided in the kit to install the mounting bracket (I)

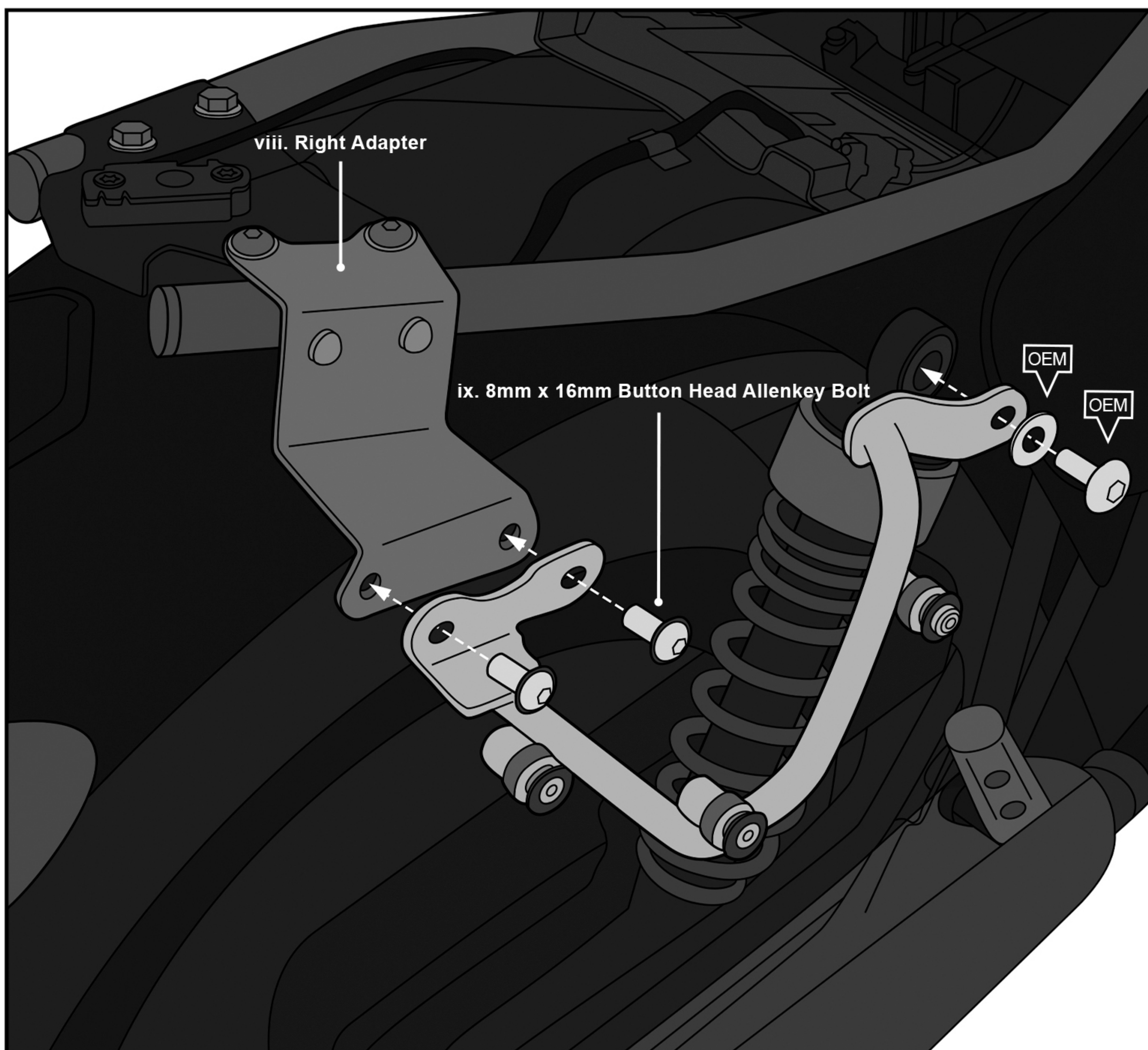


Fig 3. Installing the bracket

Step 5:

Use the pre-installed adapter plate in the back of the Viking Detachable Bag to mount it on the bracket as shown in Fig 4. Press the Bag onto the mounting pegs until it properly rests on the mounting bracket.

To release the bag, press the lever or pull the quick-release cord.

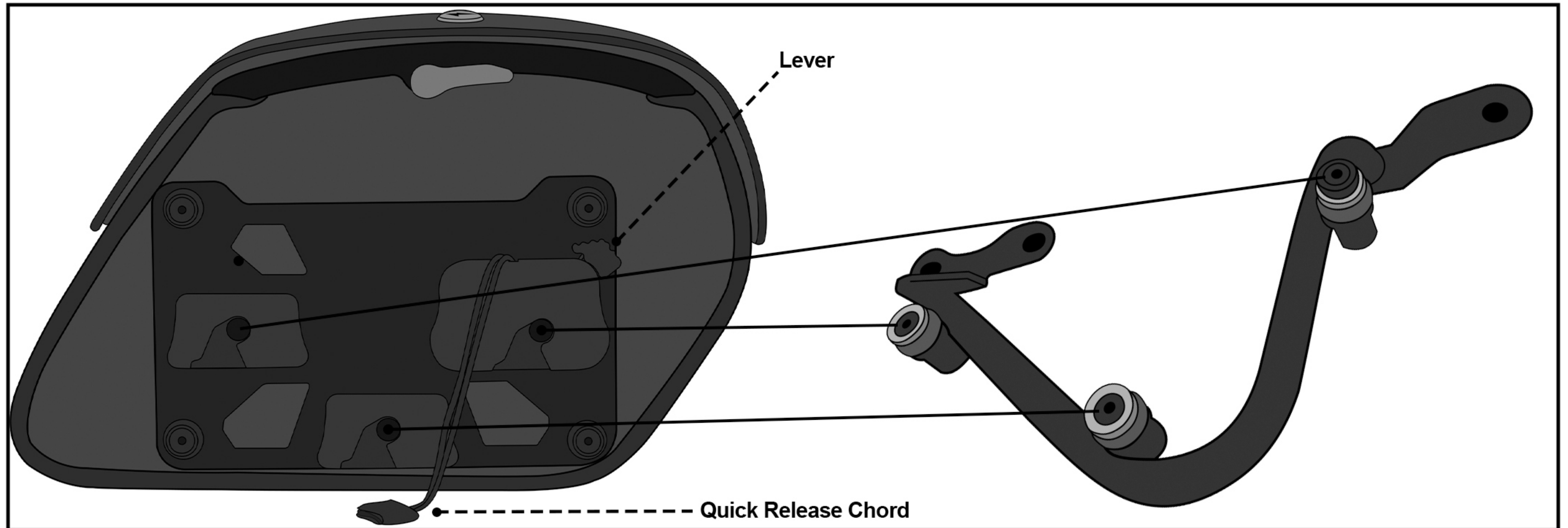


Fig 4. Attaching the bag to the bracket

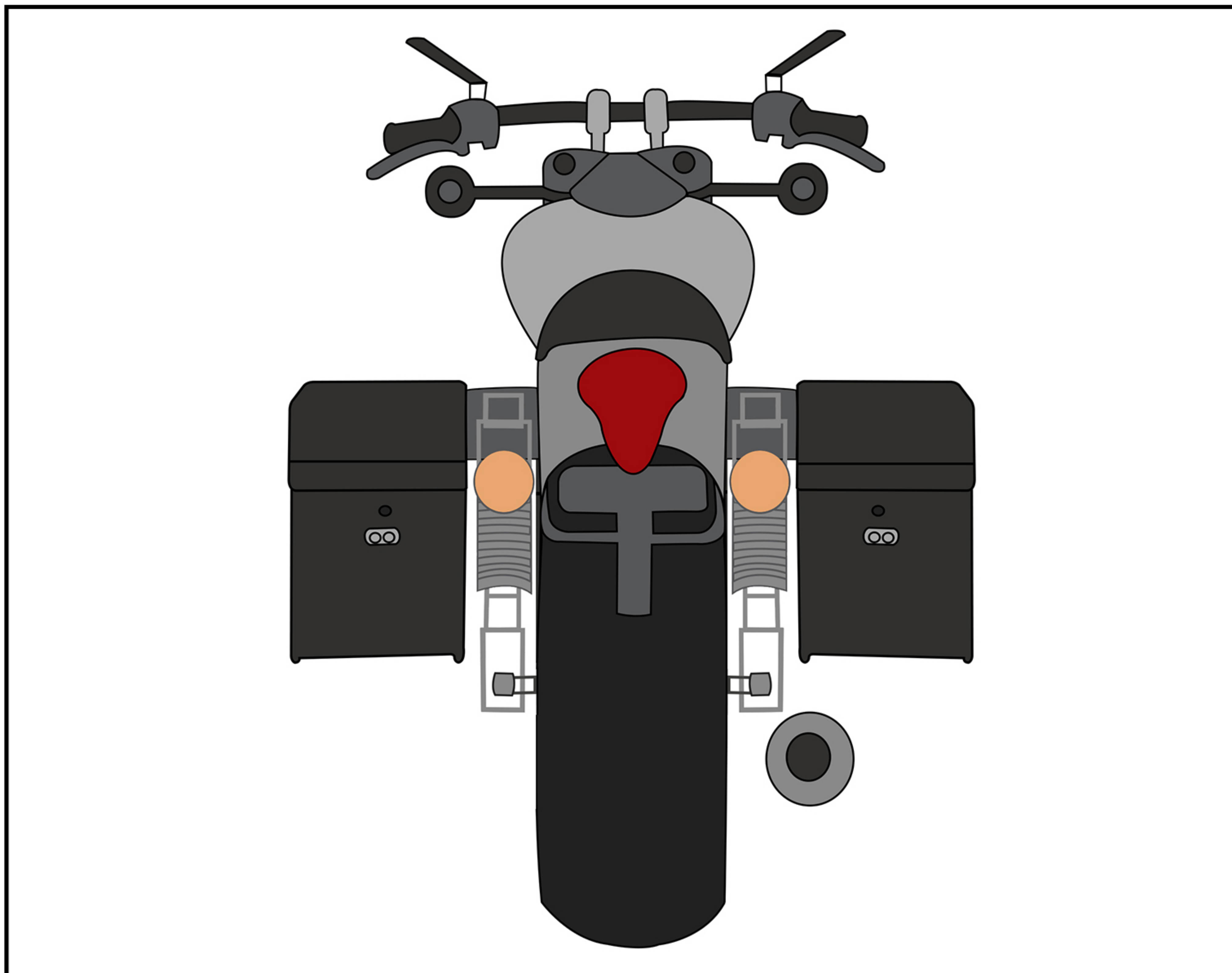
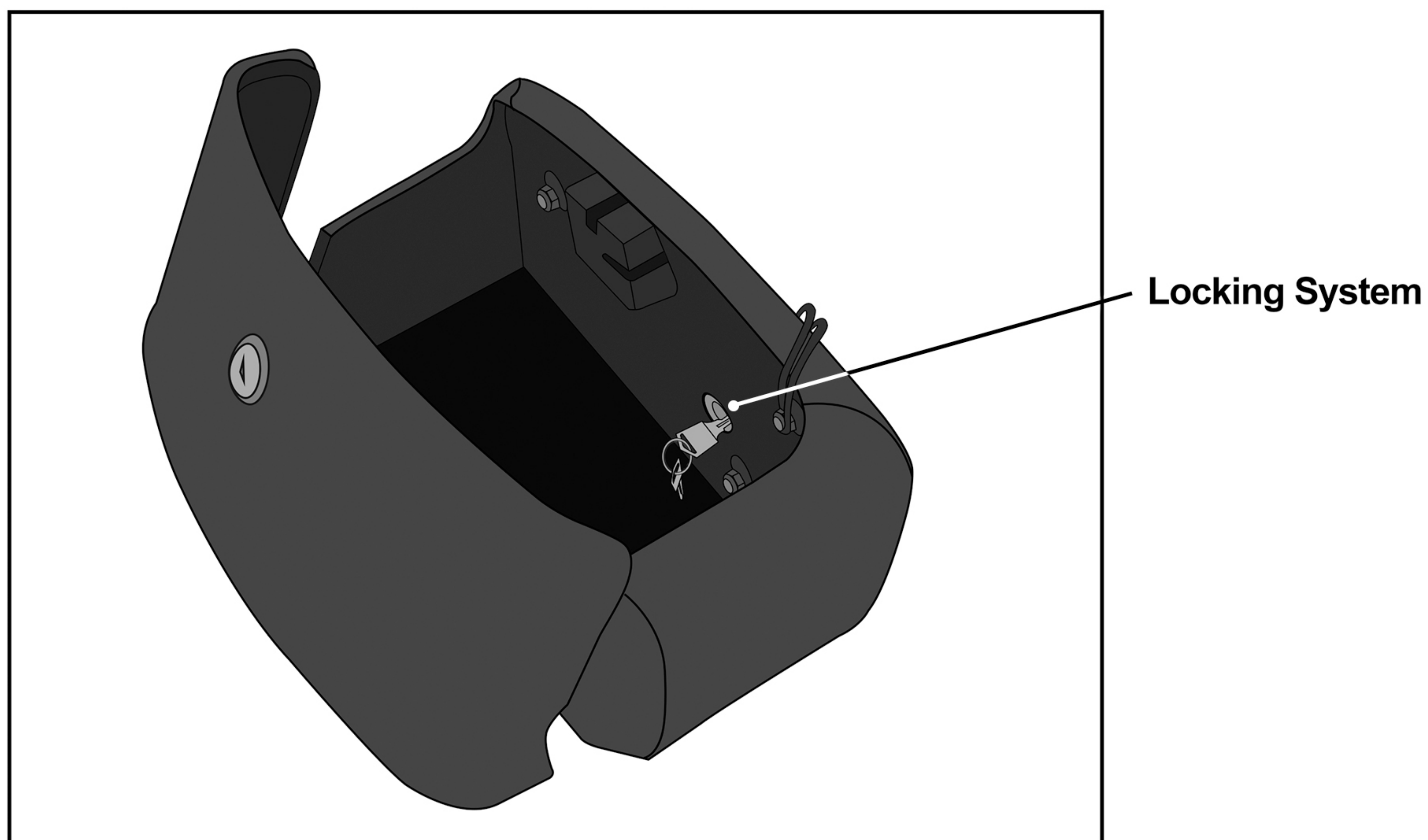


Fig 5. Both Saddlebags Installed

Tip:

The quick disconnect system is key lockable. Lock / unlock the quick disconnect system from inside the bag to secure your bag against theft.



Locking System

Congratulations, your Viking Quick Mount SaddleBag is installed and you are ready to ride!

Warnings!

- Do not install if any of the mounting hardware are damaged or impaired.
- If you have any questions or concerns about the installation, call Viking Bags or consult your local mechanic
- Ensure no part of the bag constructs any of the moving parts of the bike
- Viking Bags is not liable for any damage or malfunctions caused to your motorcycle during the installation process
- Improper loading can cause vehicle handling problems leading to death or severe injury.
- Periodically check the bolts on your bike for tightness.