

Viking Quick Mount Saddlebag Installation for Royal Enfield Interceptor /Continental 650:



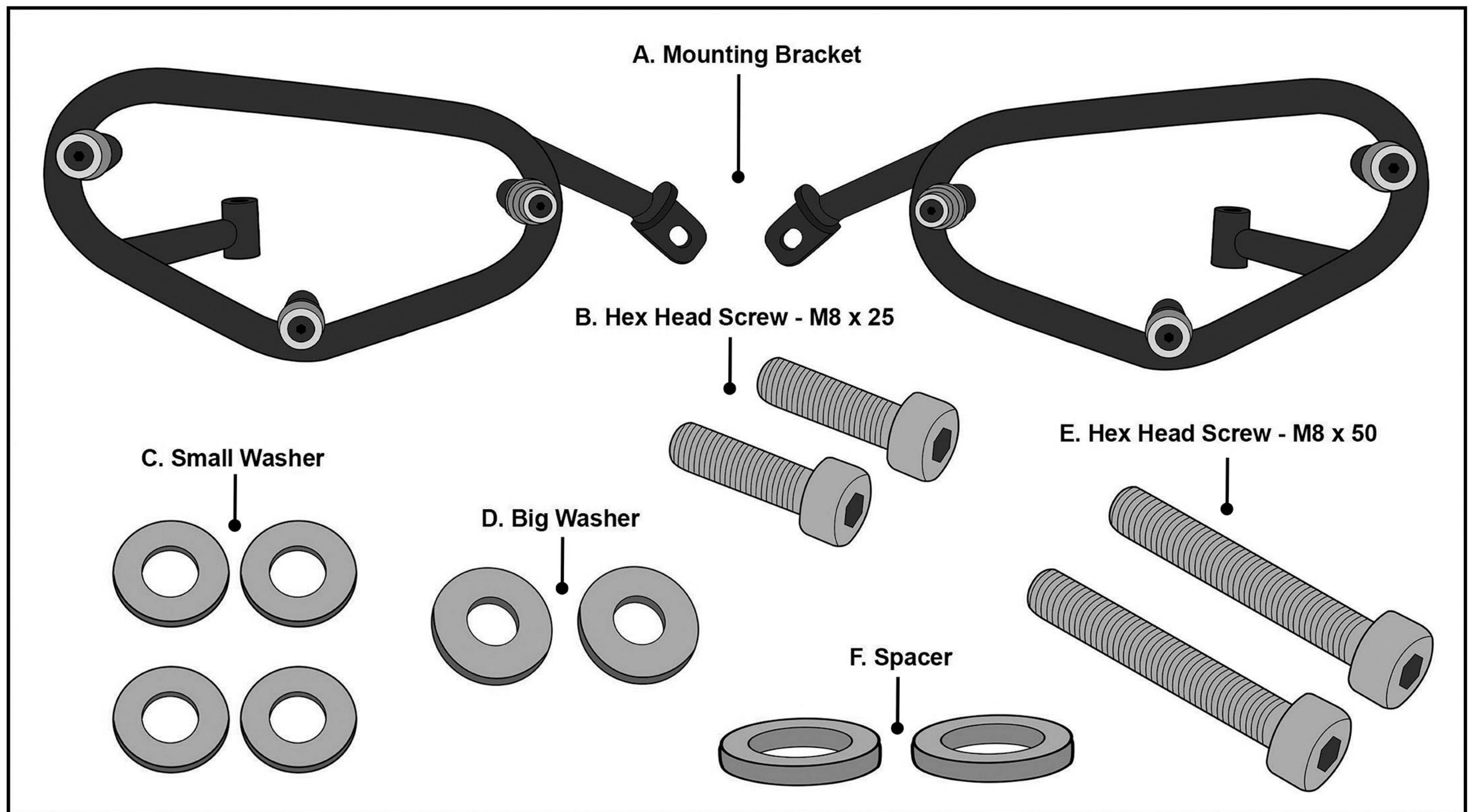
Parts List:

A	Mounting Bracket	x2
B	Hex Head Screw - M8 x 25	x2
C	Small Washer	x4
D	Big Washer	x2
E	Hex Head Screw - M8 x 50	x2
F	Spacer	x2

Note:

- Tighten screws with the manufacturer's specified torque.
- Make sure to use Loctite for the final step.
- The installation shows mounting on one side only, you can follow the same steps for the other side.

Parts Diagram:



Parts Diagram

Installation Instructions:

Note: Move to Step 2 if you don't have a passenger grab rail.

Step 1:

Remove two OEM bolts and the motorcycle passenger grip. Refer to Fig 1.

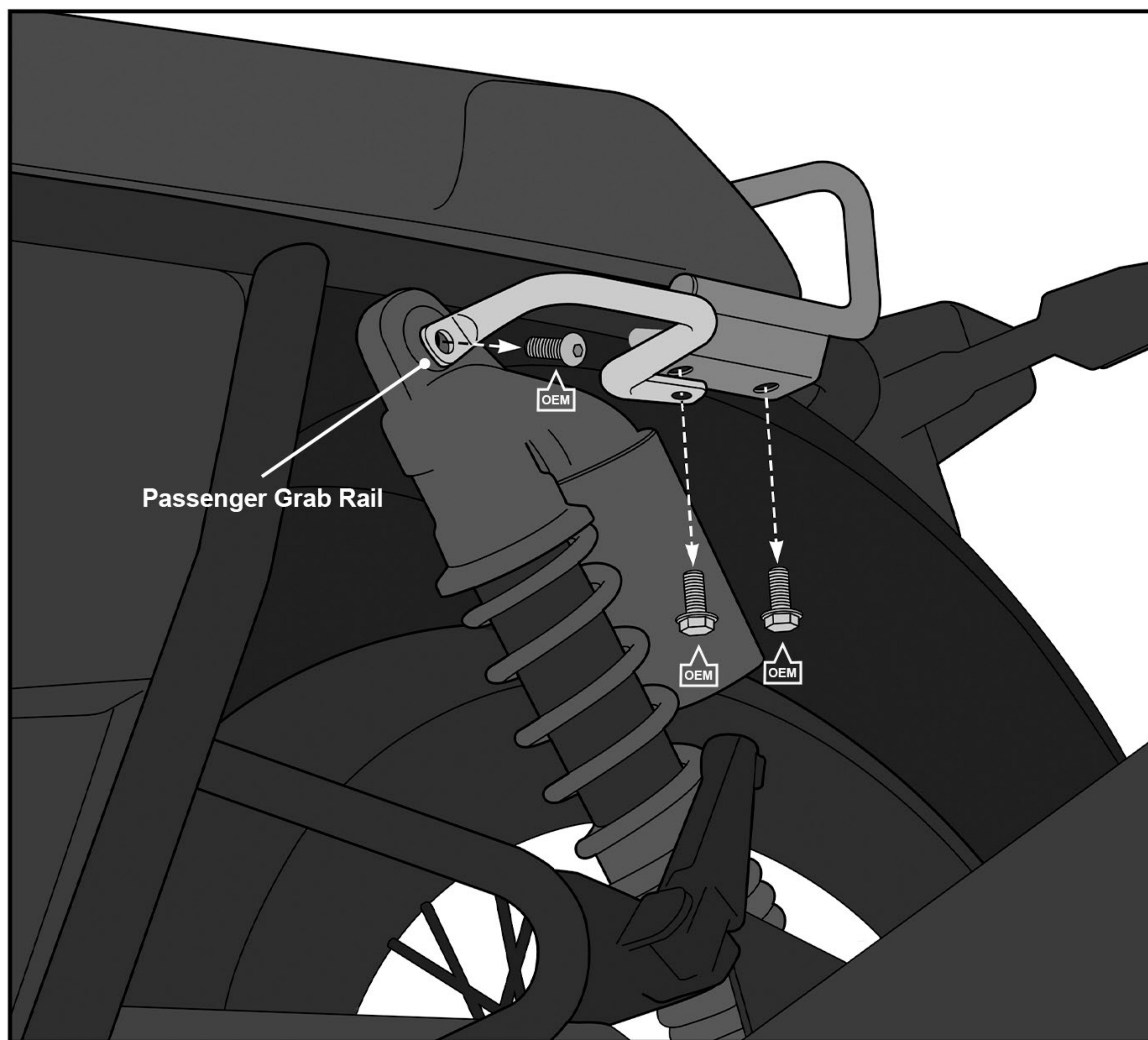


Fig 1. Remove OEM bolts and passenger grip

Step 2:

Note: Refer to Fig 2. If you have a passenger grab rail. Refer to Fig 3. If you do not have a passenger grab rail.

If you have a passenger grab rail, attach the mounting bracket(A) using the OEM Screw, Hex Head Screw - M8 x 25(B), and Hex Head Screw - M8 x 50. Refer to Fig 2.

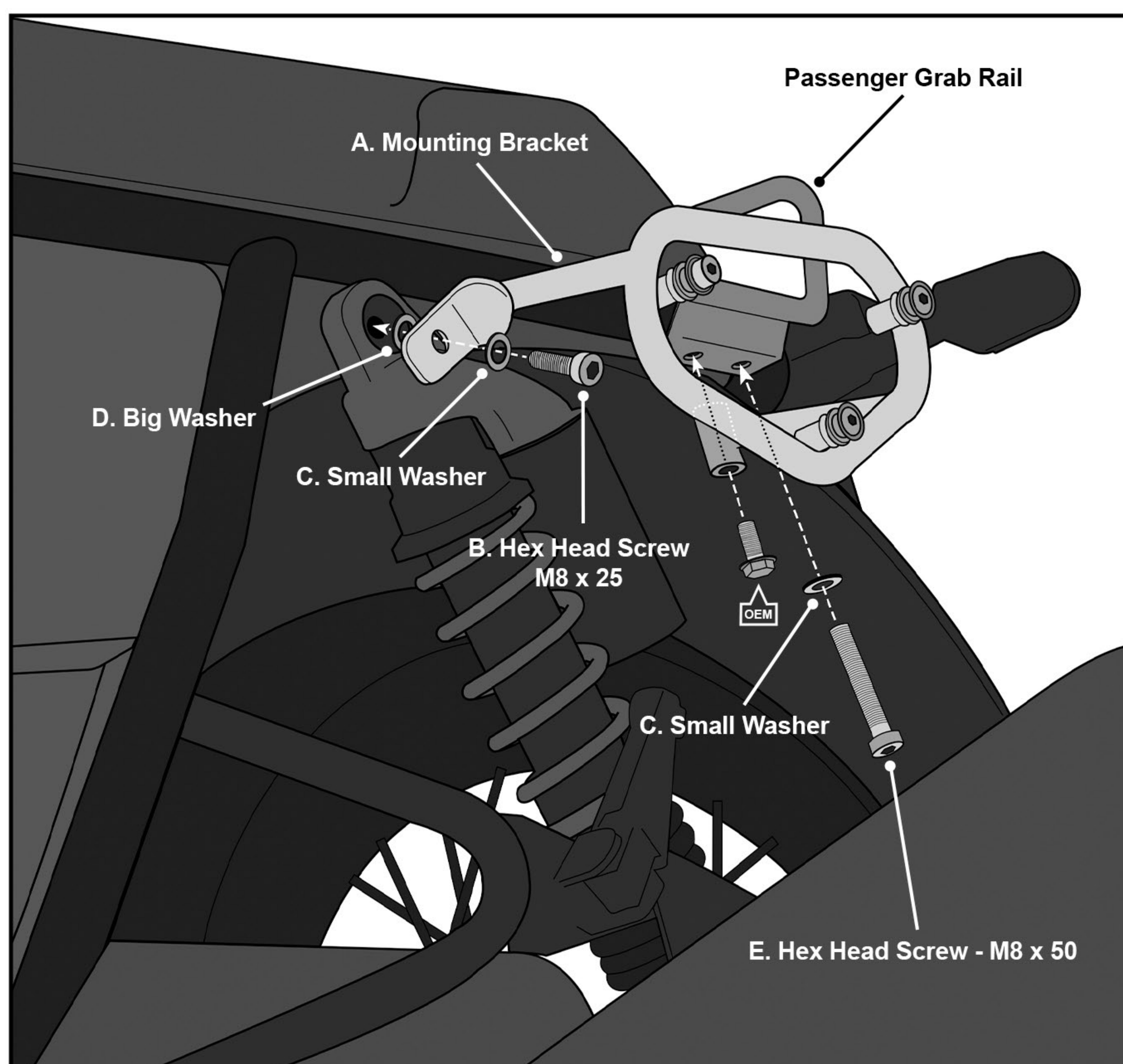


Fig 2. Attaching the Mounting Bracket

If you do not have a passenger grab rail, attach the mounting bracket(A) using the OEM Screw, Hex Head Screw - M8 x 25(B), and Hex Head Screw - M8 x 50. Refer to Fig 3.

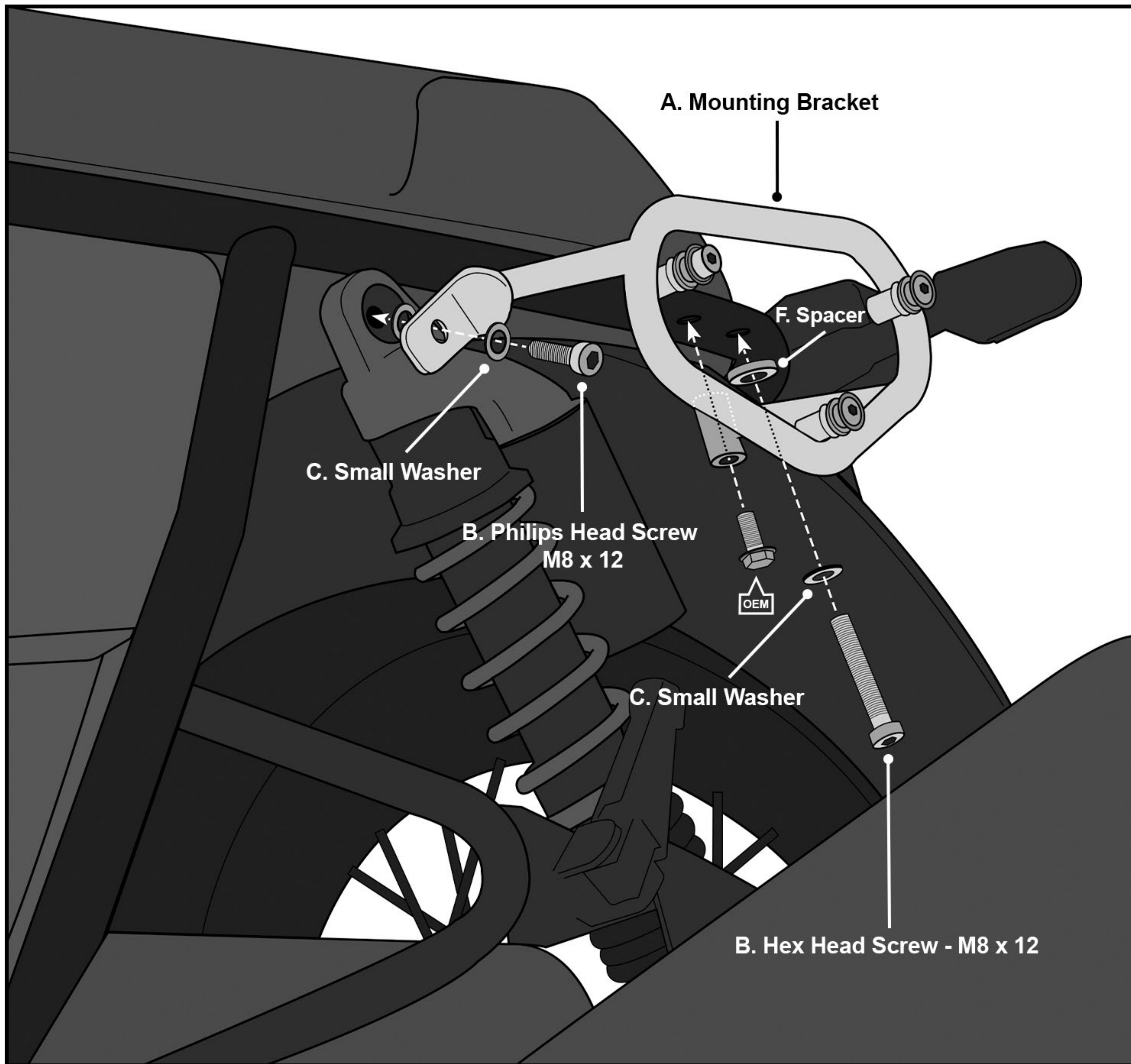


Fig 3. Attaching the mounting bracket without passenger grab rail

Step 4:

Use the pre-installed adapter plate in the back of the Viking Detachable Bag to mount it on the bracket as shown in Fig 4. Press the Bag onto the mounting pegs until it properly rests on the mounting bracket.

To release the bag, press the lever or pull the quick-release cord.

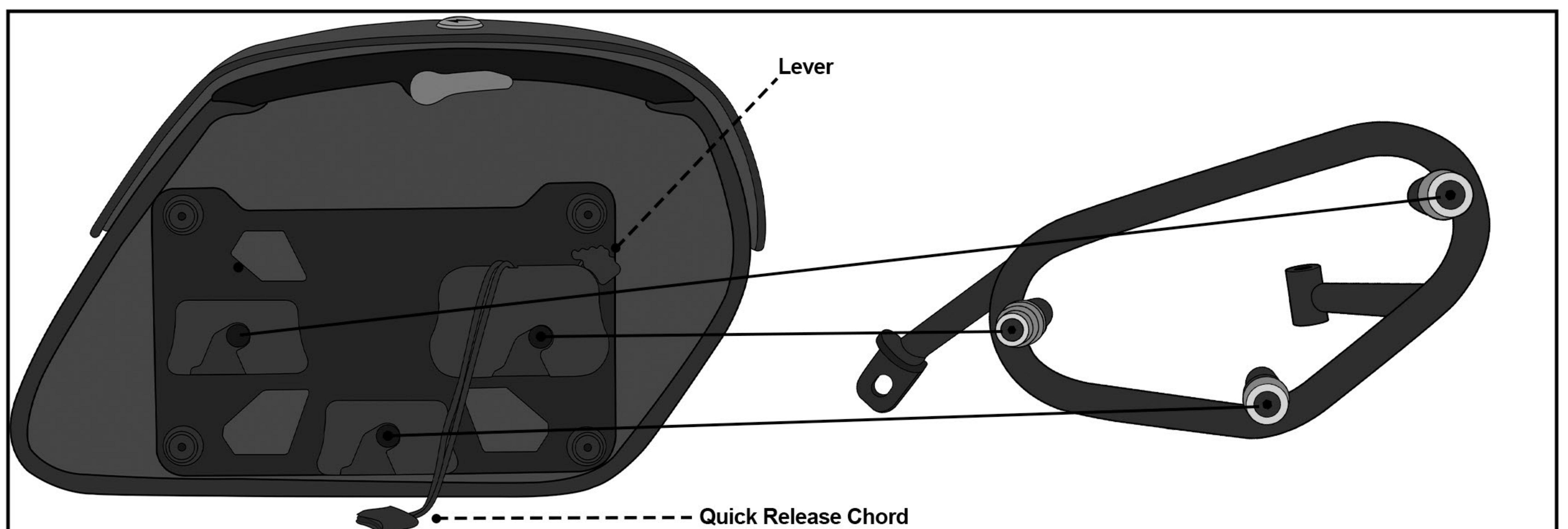


Fig 4. Attaching the Saddlebag

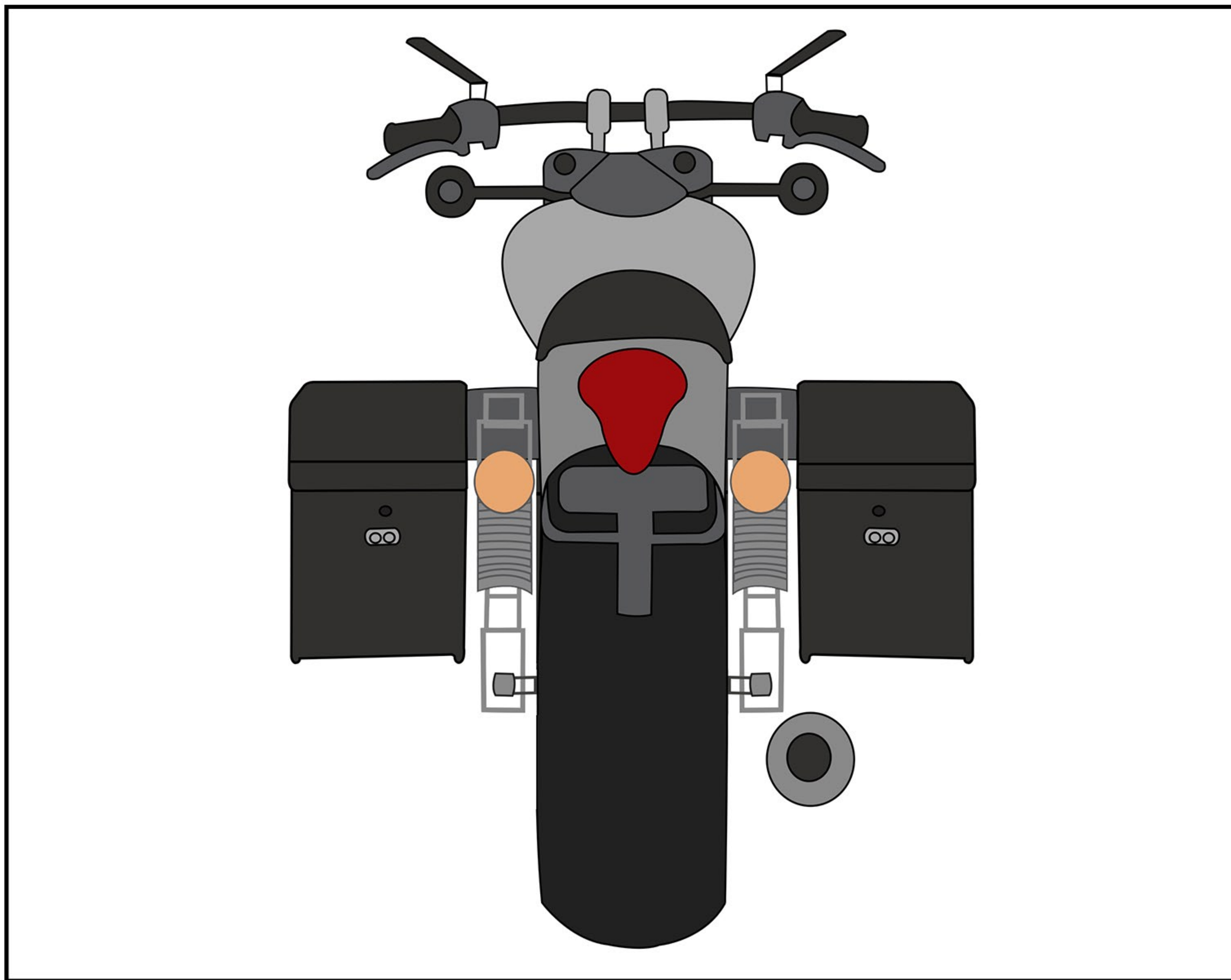
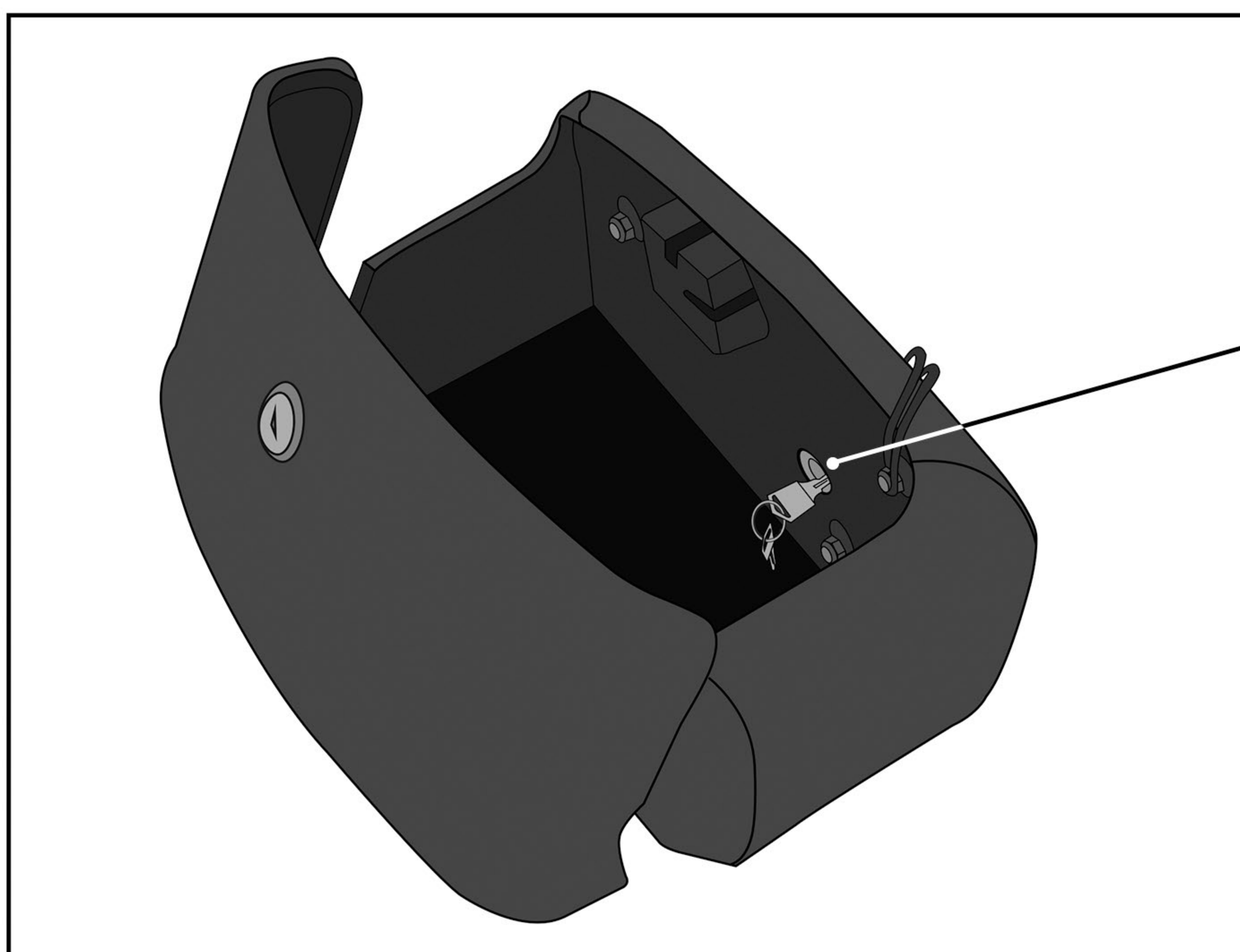


Fig 5. Both Saddlebags Installed

Tip:

The quick disconnect system is key lockable. Lock / unlock the quick disconnect system from inside the bag to secure your bag against theft.



Locking System

Congratulations, your Viking Quick Mount SaddleBag is installed and you are ready to ride!

Warnings!

- Do not install if any of the mounting hardware are damaged or impaired.
- If you have any questions or concerns about the installation, call Viking Bags or consult your local mechanic
- Ensure no part of the bag constructs any of the moving parts of the bike
- Viking Bags is not liable for any damage or malfunctions caused to your motorcycle during the installation process
- Improper loading can cause vehicle handling problems leading to death or severe injury.
- Periodically check the bolts on your bike for tightness.