

Viking Quick Mount Saddlebag Installation for Kawasaki W800, W650:



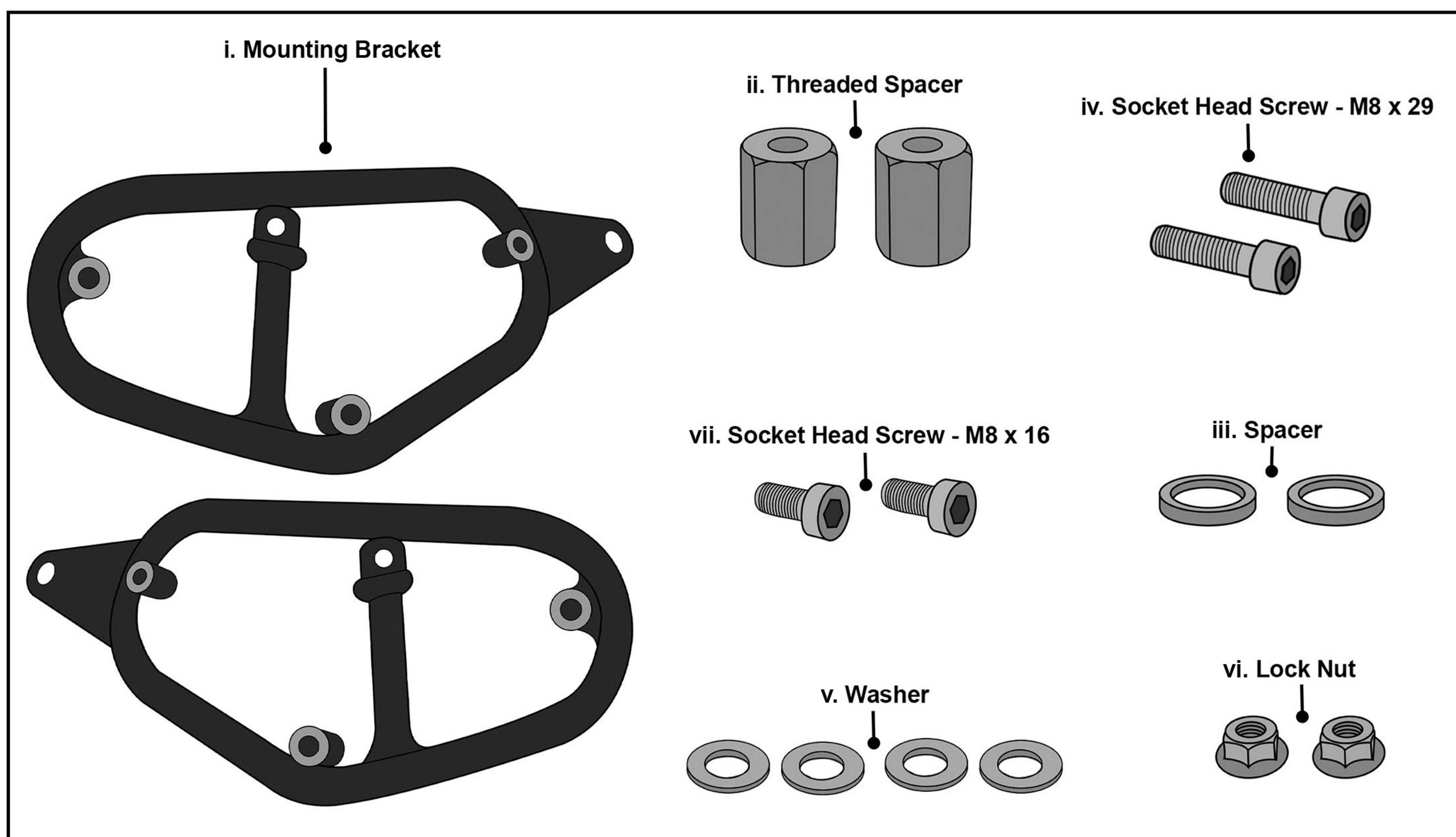
Parts:

i	Mounting Bracket	x2
ii	Threaded Spacer	x2
iii	Spacer	x2
iv	Socket Head Screw - M8 x 29	x2
v	Washer	x4
vi	Lock Nut	x2
vii	Socket Head Screw - M8 x 16	x2

Note:

- The installation shows mounting on one side only, you can follow the same steps for the other side.

Parts Diagram:



Installation Instructions:

Step 1:

Remove the rear seat and the 4 screws holding the mudguard to the frame. See Figure 1.

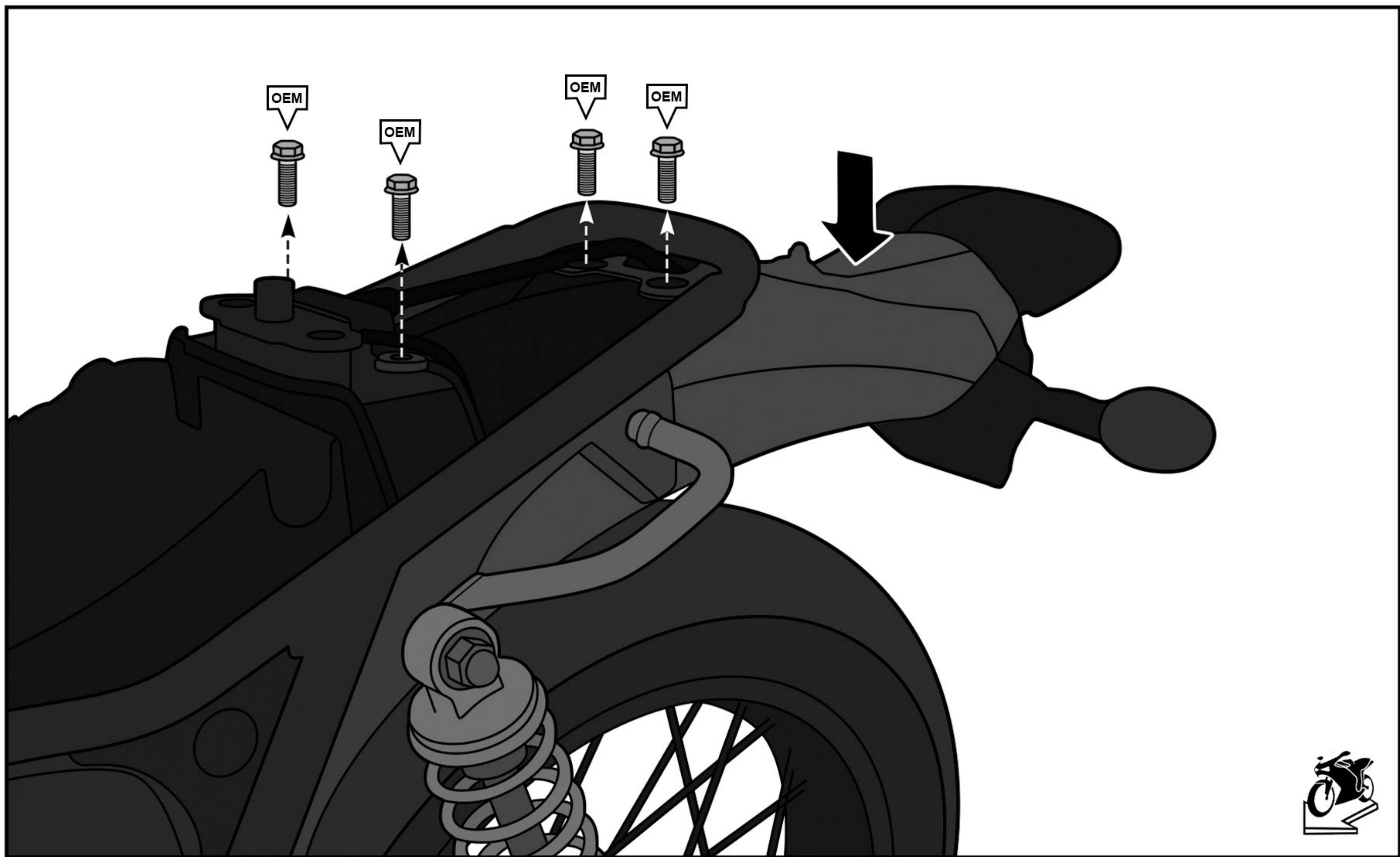


Fig 1. Removing Mudguard

Step 2:

Raise your motorcycle using a jack so the weight is off the rear tire.

Remove the rear shock and the passenger grip from your motorcycle. See Figure 2.

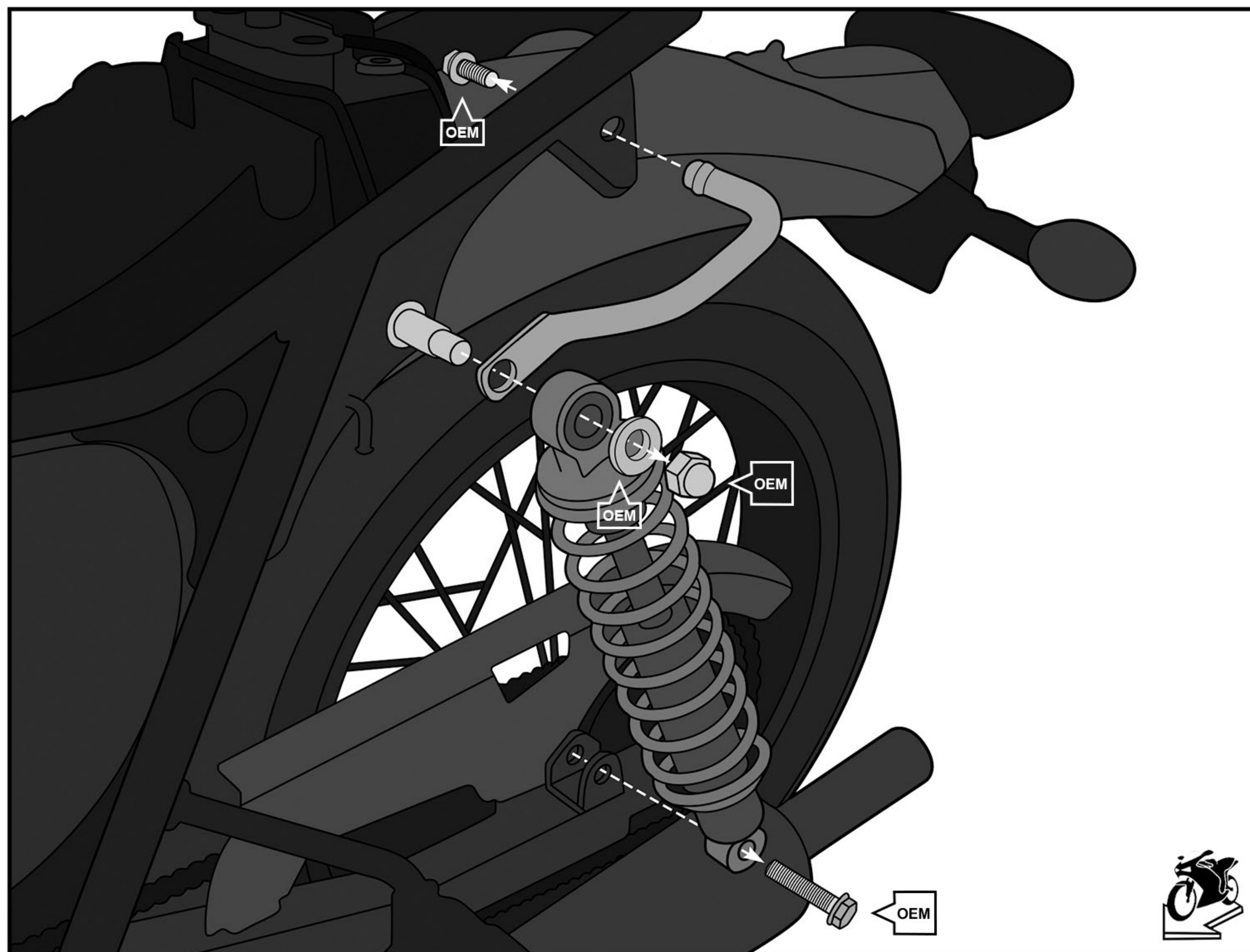


Fig 2. Removing Rear Shock and Passenger Grip

Step 3:

Reinstall the shock with the provided spacer (iii) and the provided thread spacer (ii) - Figure 3.

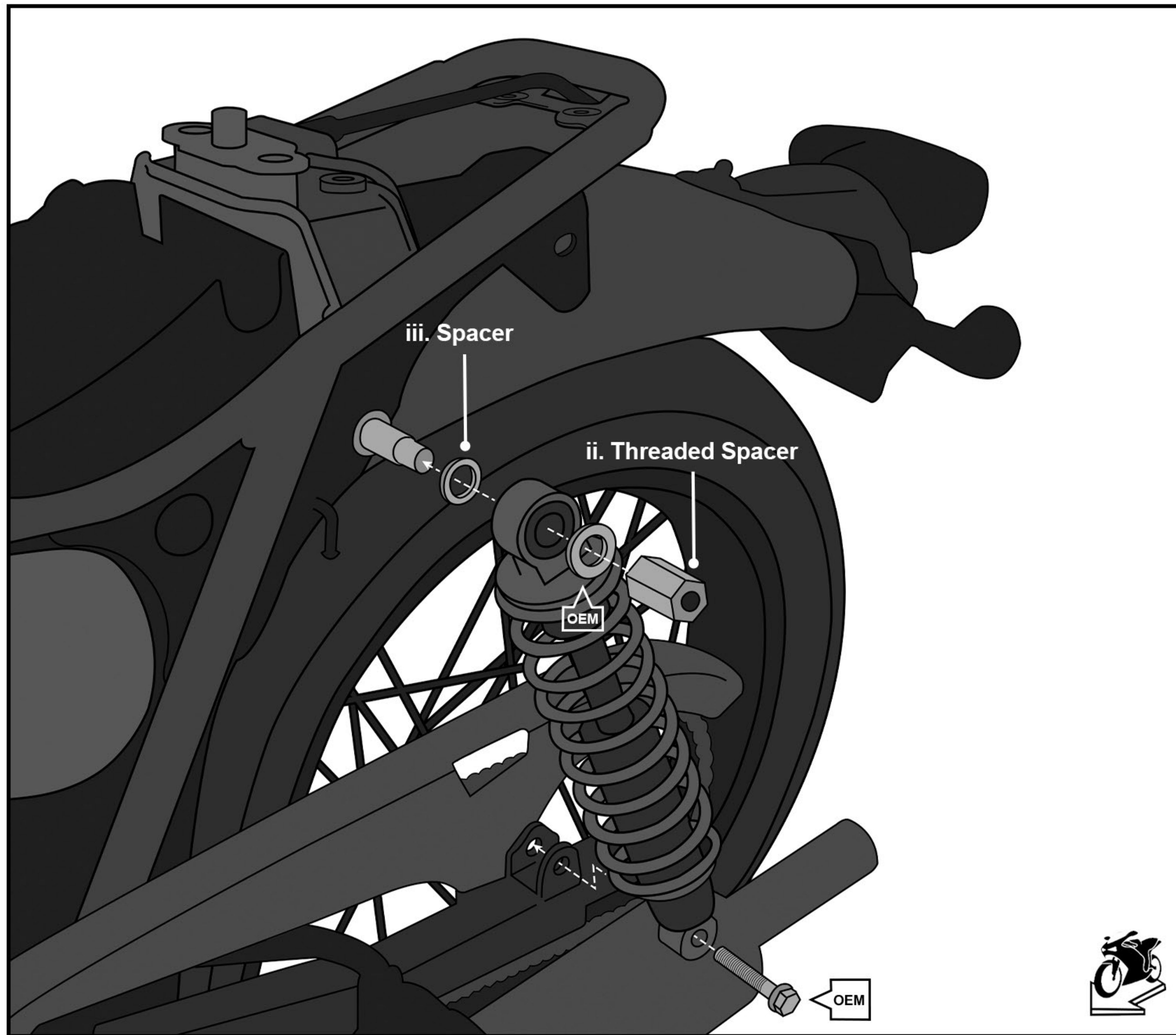


Fig 3. Reinstalling the Shock

Step 4:

Attach the mounting bracket to the motorcycle using the provided M8 bolts (iv & vii) and washers. Note that the longer bolt goes in the rear and the shorter bolt goes in the front. See Figure 4.

Apply medium thread locker and tighten screws to 22 N-m.

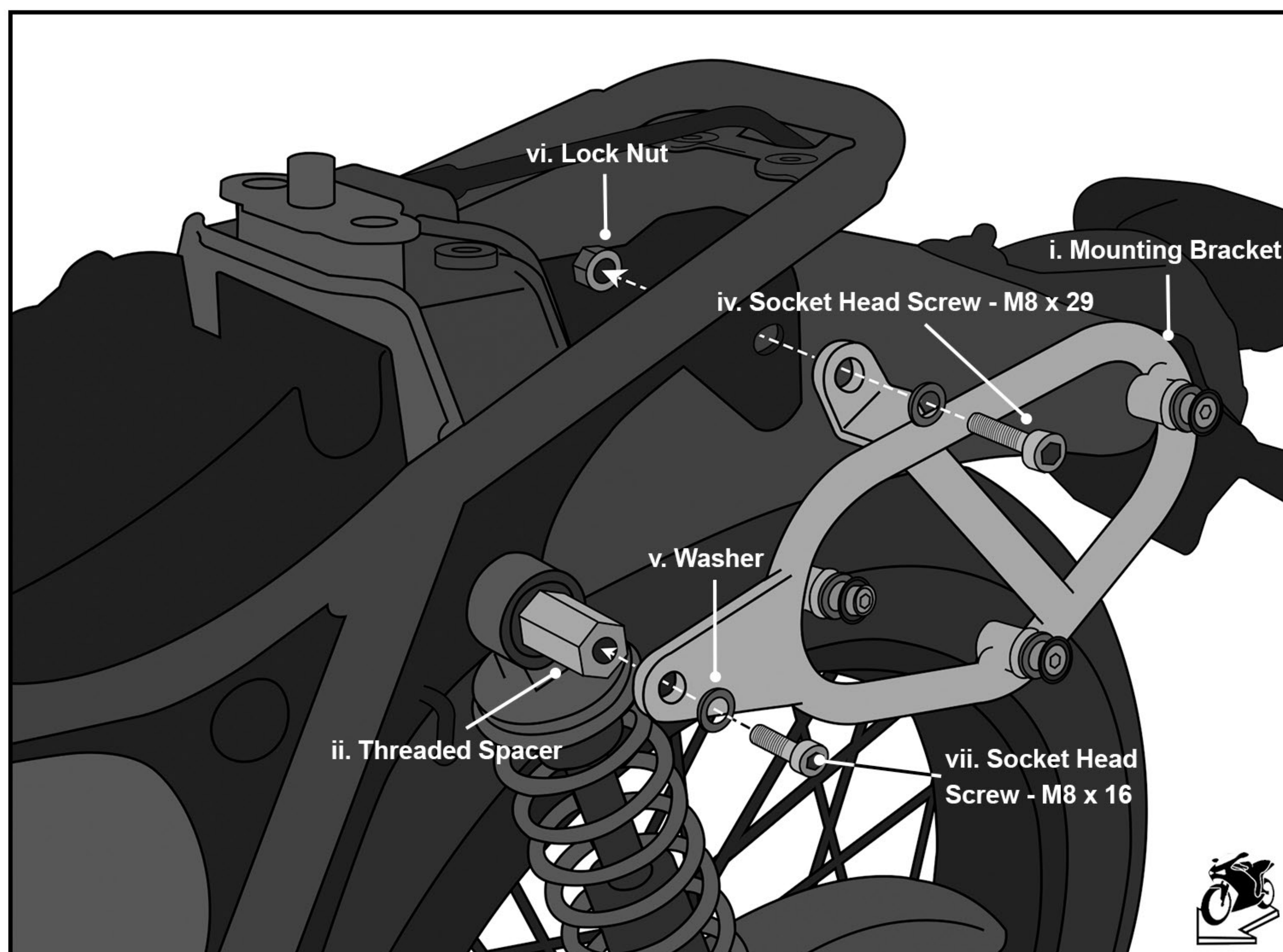


Fig 4. Attaching the Mounting Bracket

Step 5:

Reinstall the mudguard using the 4 OEM bolts removed in step 1.

Step 6:

Use the pre-installed adapter plate in the back of the Viking Detachable Bag to mount it on the bracket as shown in Fig 5. Press the Bag onto the mounting pegs until it properly rests on the mounting bracket.

To release the bag, press the lever or pull the quick-release cord.

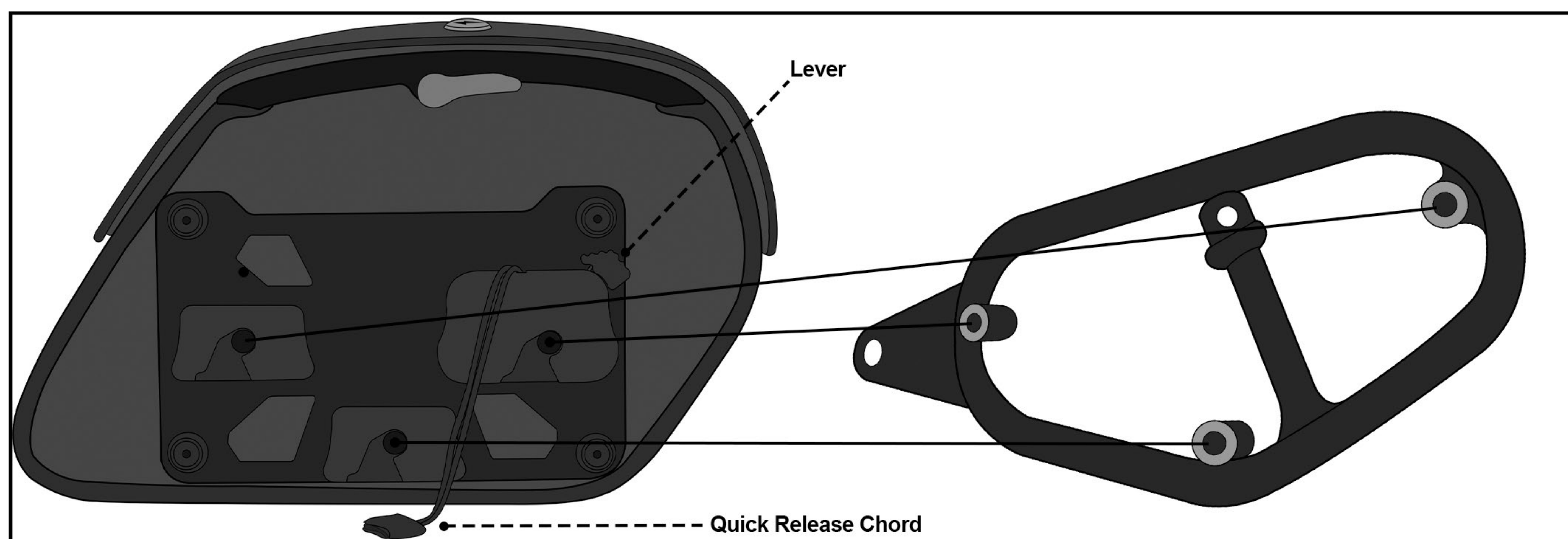


Fig 5. Attaching the Saddlebag

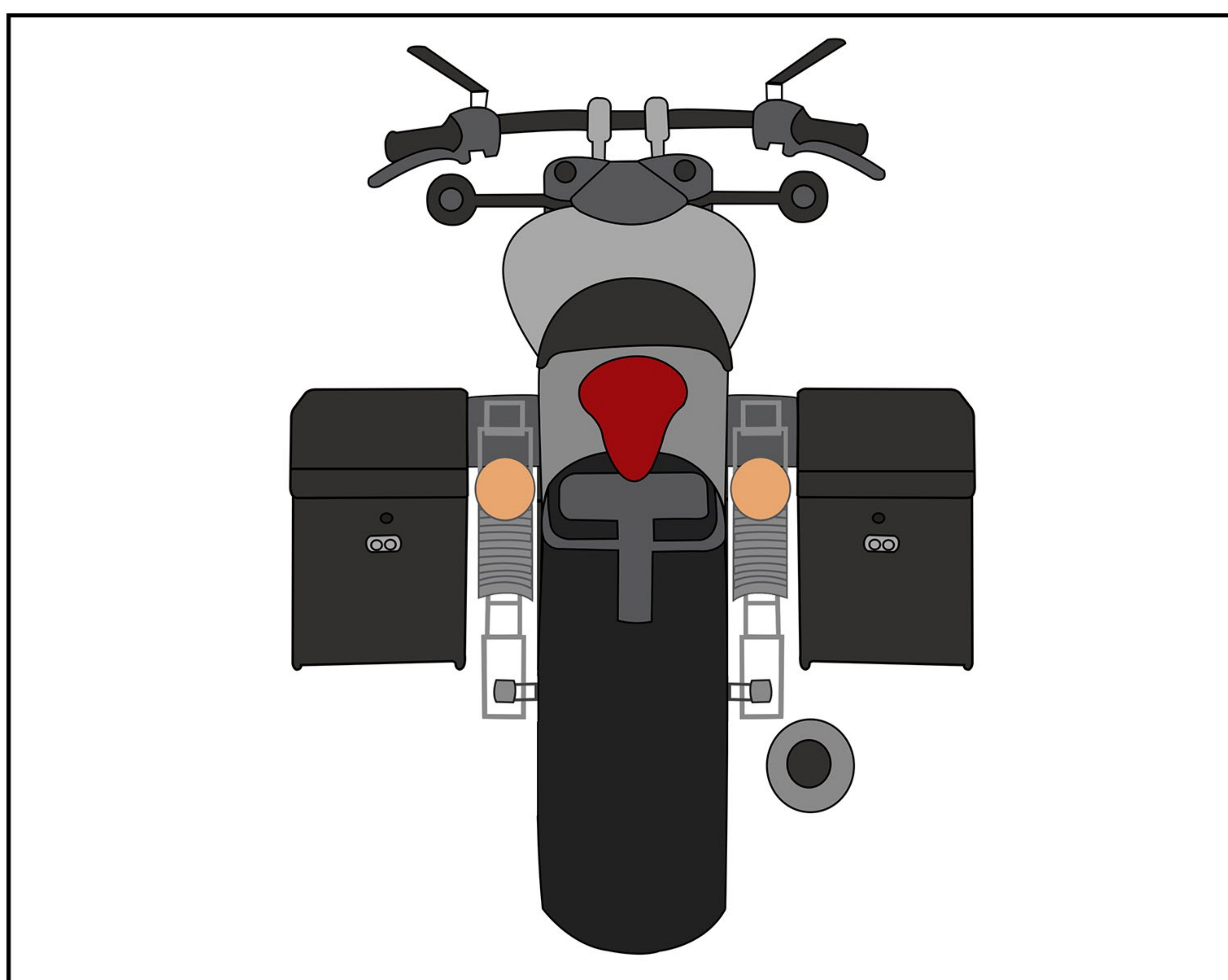
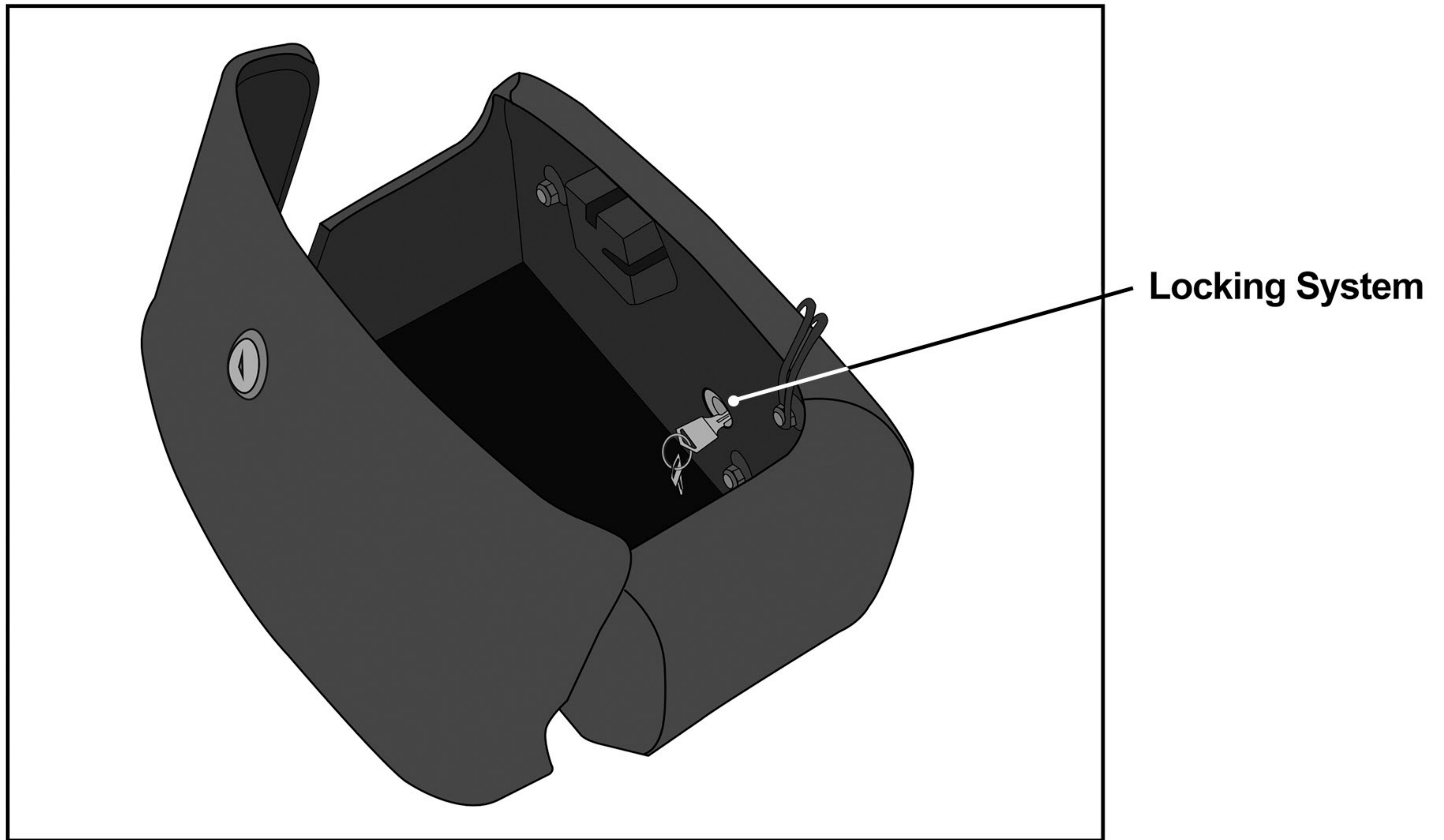


Fig 6. Both Saddlebags Installed

Tip:

The quick disconnect system is key lockable. Lock / unlock the quick disconnect system from inside the bag to secure your bag against theft.



Locking System

Congratulations, your Viking Quick Mount SaddleBag is installed and you are ready to ride!

Warnings!

- Do not install if any of the mounting hardware are damaged or impaired.
- If you have any questions or concerns about the installation, call Viking Bags or consult your local mechanic
- Ensure no part of the bag constructs any of the moving parts of the bike
- Viking Bags is not liable for any damage or malfunctions caused to your motorcycle during the installation process
- Improper loading can cause vehicle handling problems leading to death or severe injury.
- Periodically check the bolts on your bike for tightness.