

Viking Quick Mount Saddlebag Installation for Harley Davidson Dyna:



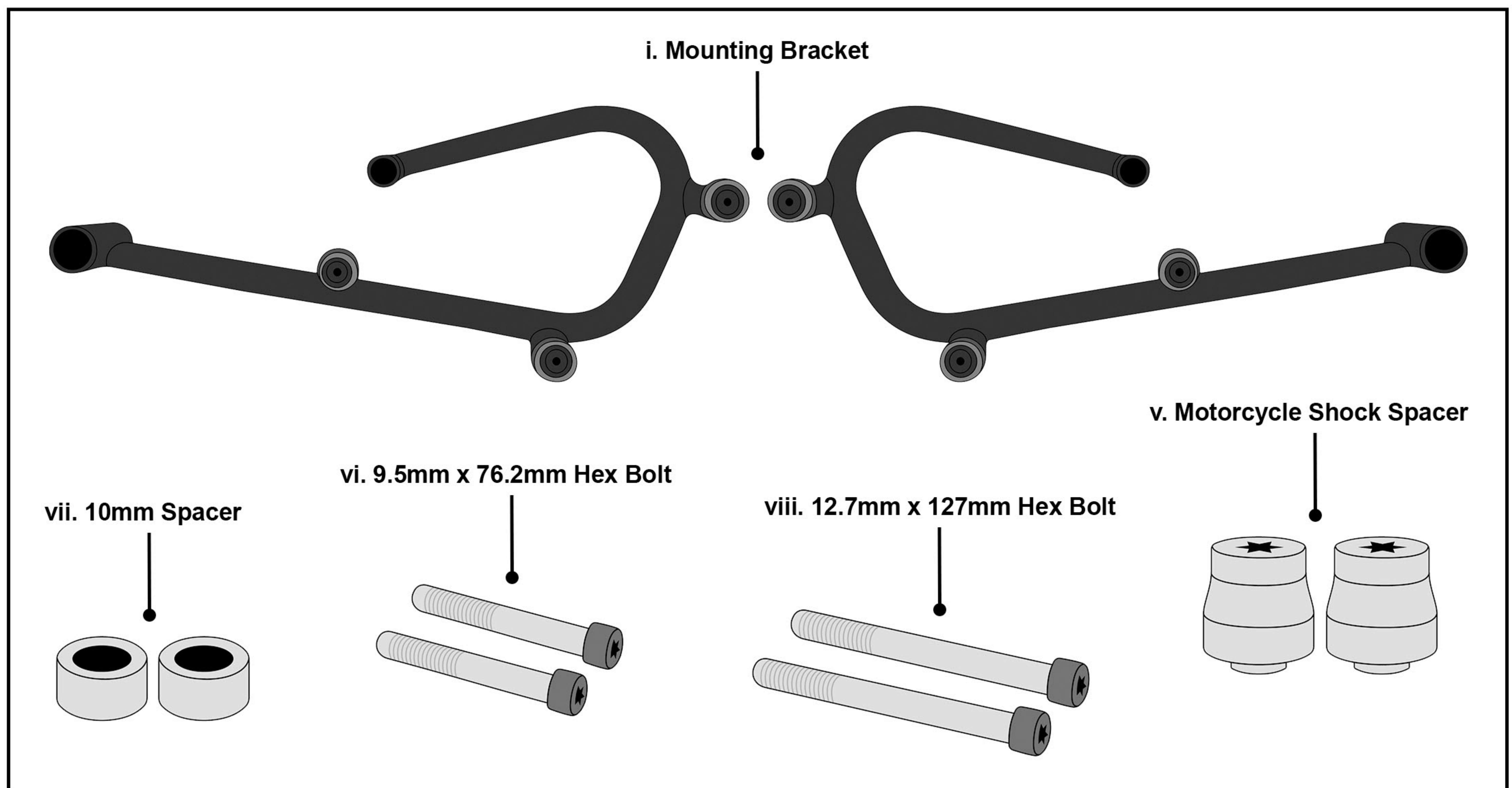
Parts:

i	Mounting Bracket	x2
ii	Guide Bolt	x6
iii	Lock Bolt	x2
iv	6mm x 20mm Hex Screw	x2
v	Motorcycle Shock Spacer	x2
vi	9.5mm x 76.2mm Hex Bolt	x2
vii	10mm Spacer	x2
viii	12.7mm x 127mm Hex Bolt	x2

Note:

- Before starting step 1 make sure to lift the motorcycle with a suitable motorcycle jack
- The installation steps show the installation for the left mounting bracket, you can use the same steps for the right mounting bracket as well.

Parts Diagram:



Instructions:

Step 1:

Remove your seat.

Remove the OEM fender strut bolt.

Step 2:

Loosen OEM bolts as shown and remove the shock. Store the nuts and bolts in a safe place, you will replace OEM bolts with the provided bolts for this installation. (Fig 1.)

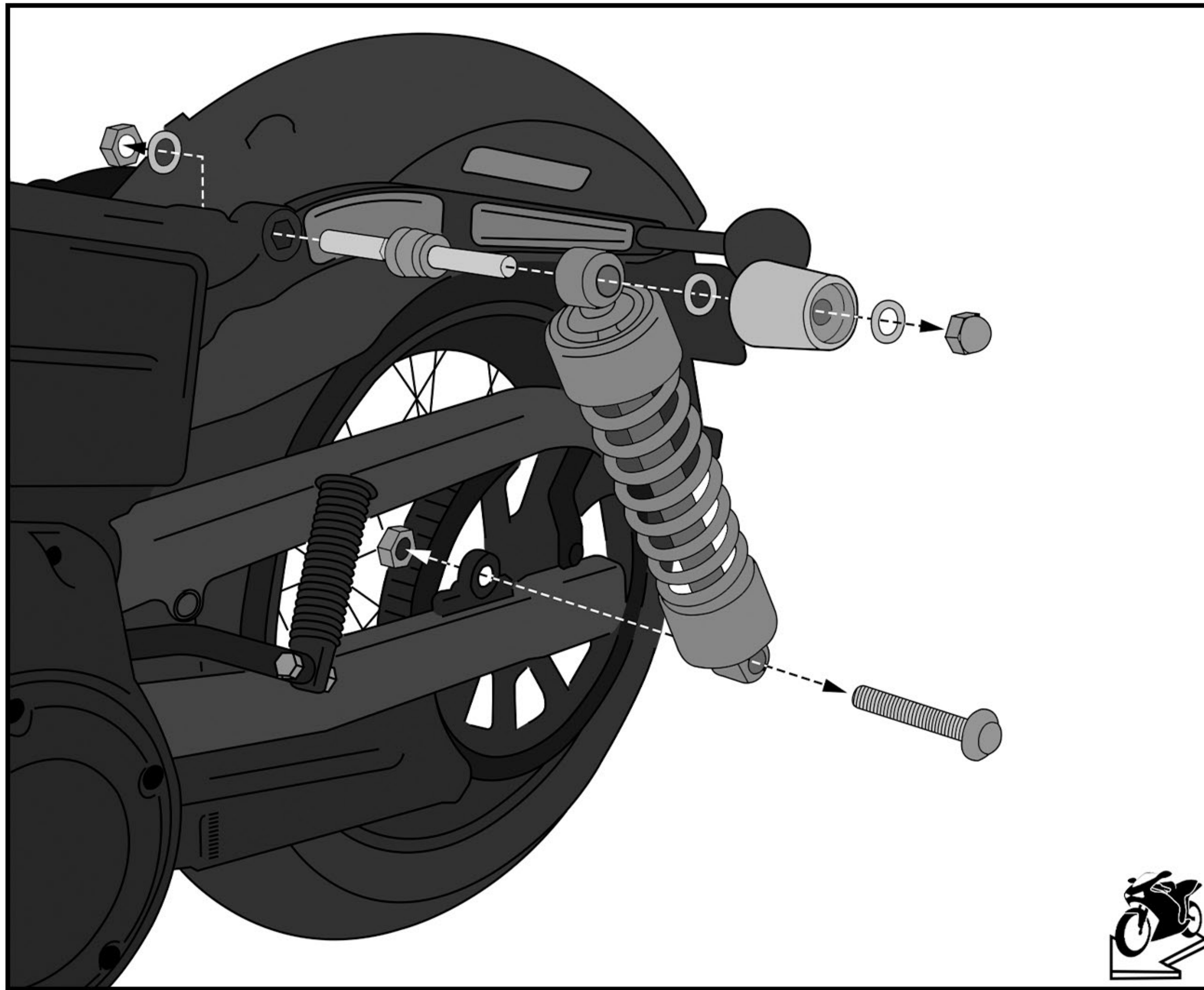


Fig 1. Removing the motorcycle shock

Step 3:

Install the mounting bracket (i) to the fender strut using provided bolts and OEM bolts. (Fig 2.)

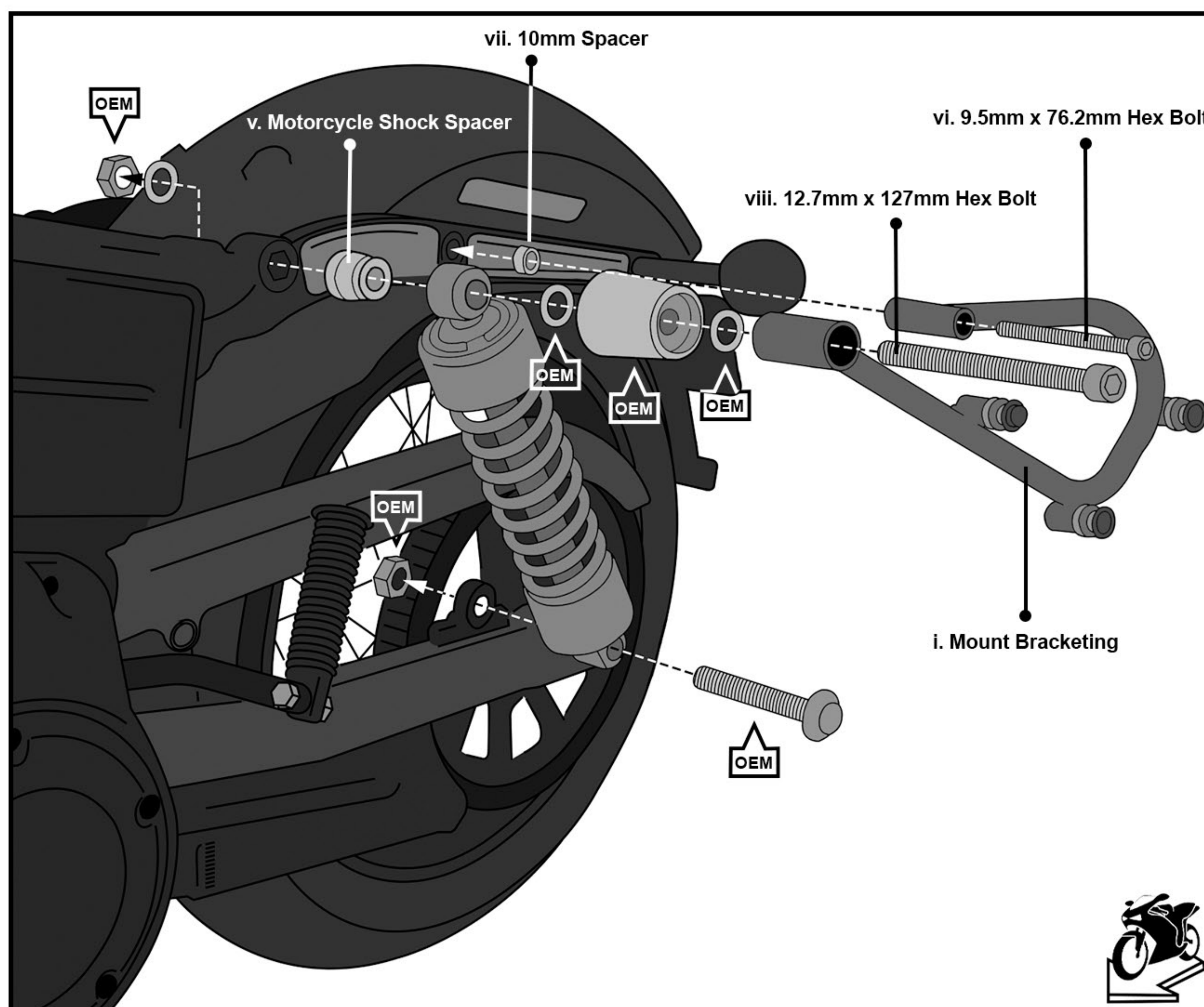


Fig 2. Installing the mounting bracket

Step 4:

Use the pre-installed adapter plate in the back of the Viking Detachable Bag to mount it on the bracket as shown in Fig 3. Press the Bag onto the mounting pegs until it properly rests on the mounting bracket.

To release the bag, press the lever or pull the quick-release cord.

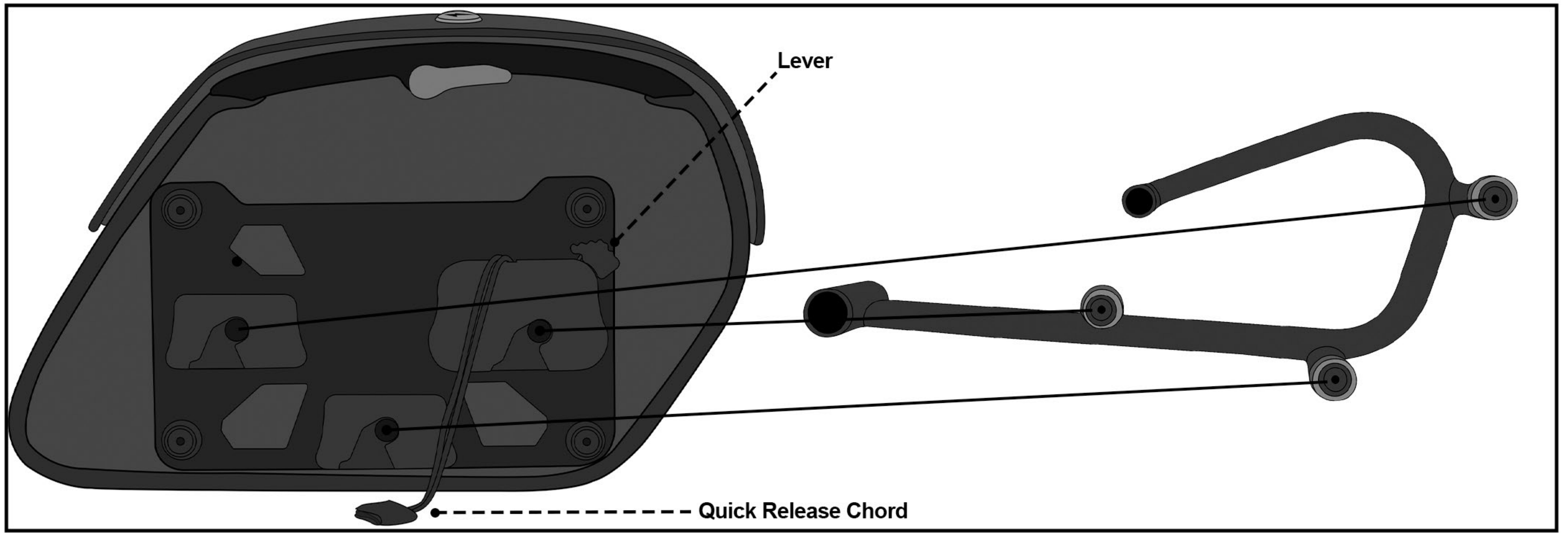


Fig 3. Attaching the Saddlebag

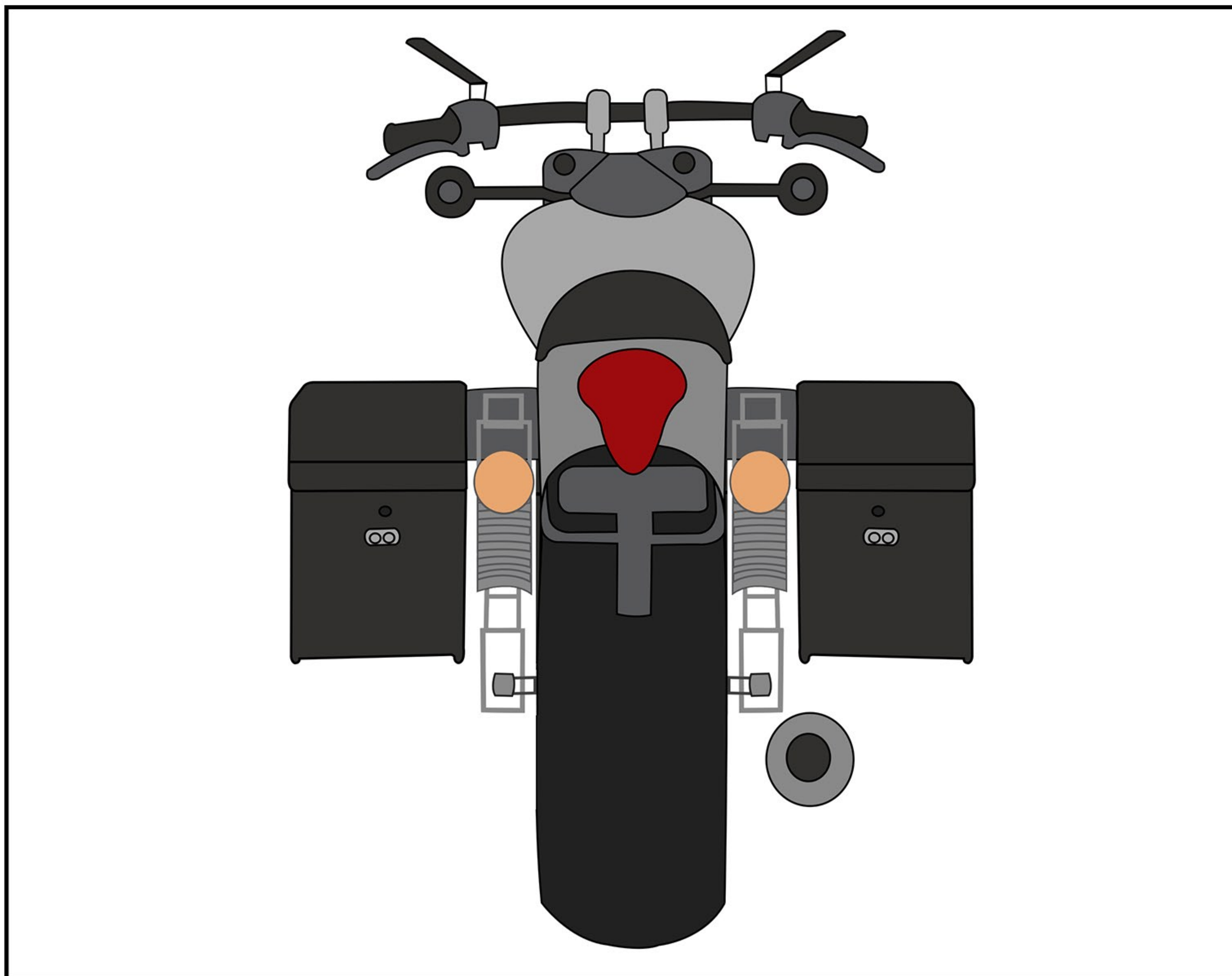
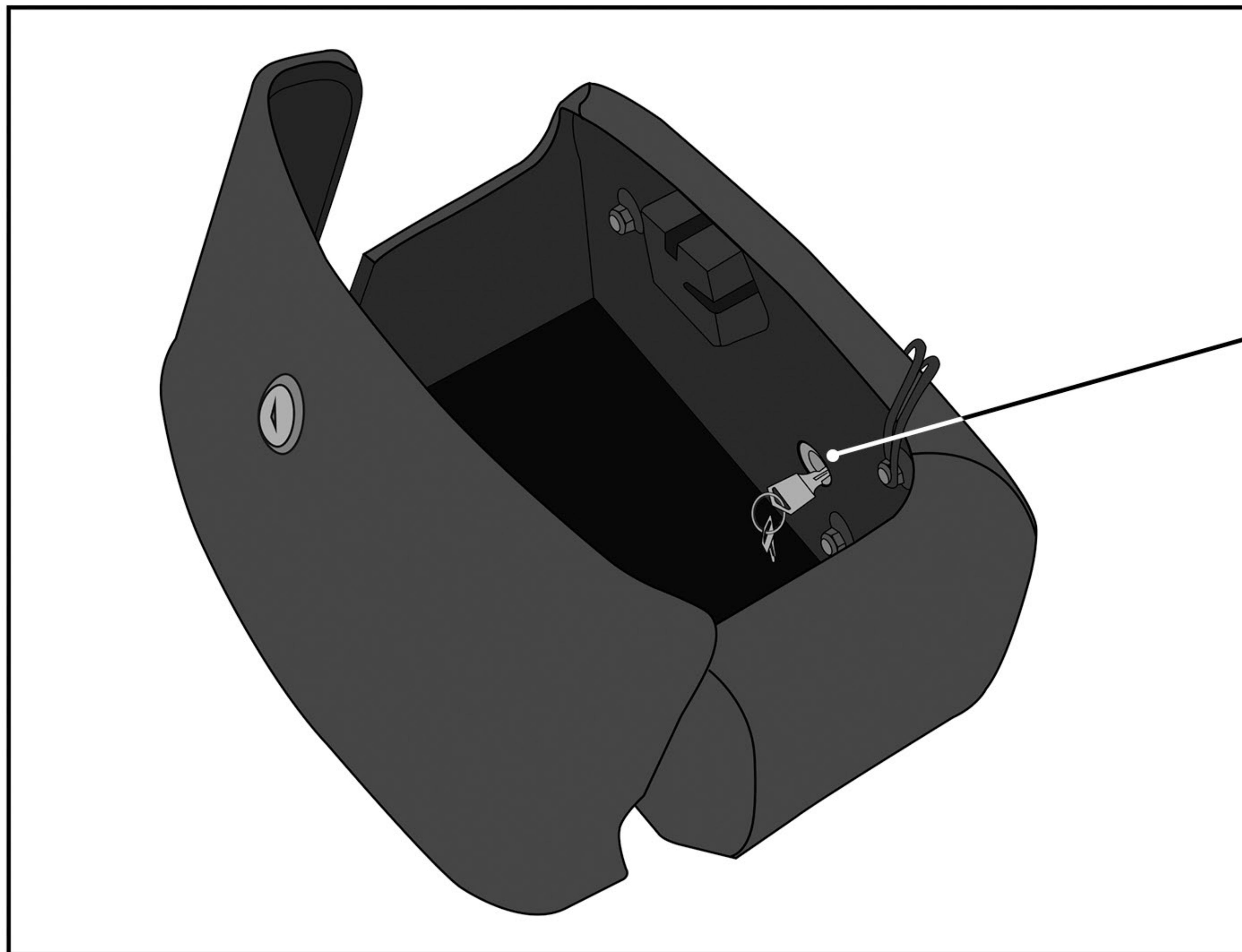


Fig 4. Both Saddlebags Installed

Tip:

The quick disconnect system is key lockable. Lock / unlock the quick disconnect system from inside the bag to secure your bag against theft.



Locking System

Locking System

Congratulations, your Viking Quick Mount SaddleBag is installed and you are ready to ride!

Warnings!

- Do not install if any of the mounting hardware are damaged or impaired.
- If you have any questions or concerns about the installation, call Viking Bags or consult your local mechanic
- Ensure no part of the bag constructs any of the moving parts of the bike
- Viking Bags is not liable for any damage or malfunctions caused to your motorcycle during the installation process
- Improper loading can cause vehicle handling problems leading to death or severe injury.
- Periodically check the bolts on your bike for tightness.