

# Viking Quick Mount Saddlebag Installation for Sportster:



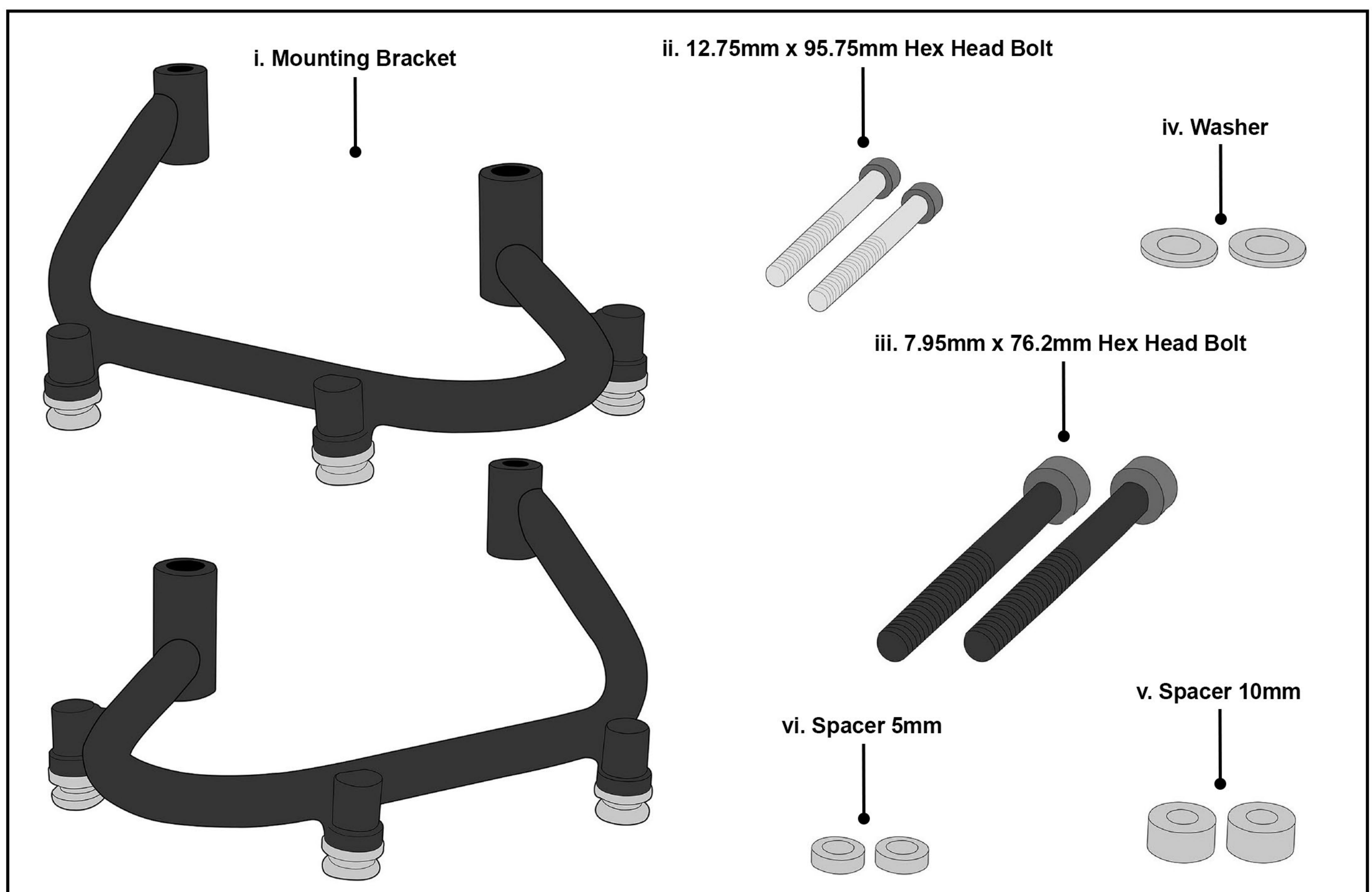
## Parts:

i	Mounting Bracket	x 2
ii	12.75mm x 95.75mm Hex Head Bolt	x 2
iii	7.95mm x 76.2mm Hex Head Bolt	x 2
iv	Washer	x 2
v	Spacer 10mm	x 2
vi	Spacer 5mm	x 2

## Note:

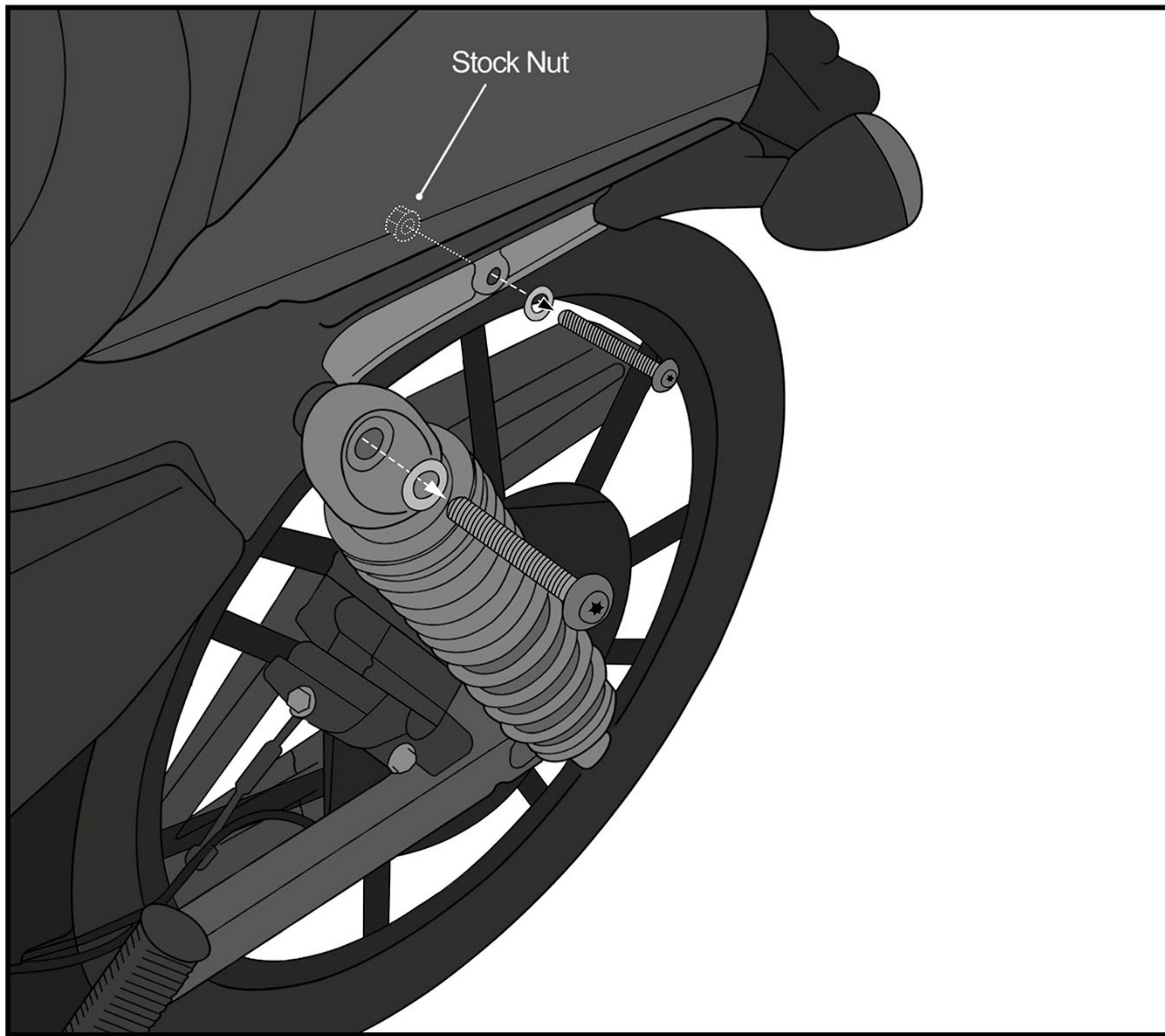
- Before starting step 1 make sure to lift up the motorcycle with a suitable motorcycle jack
- The installation shows mounting on one side only, you can follow the same steps for the other side.

## Parts Diagram:



## Step 1

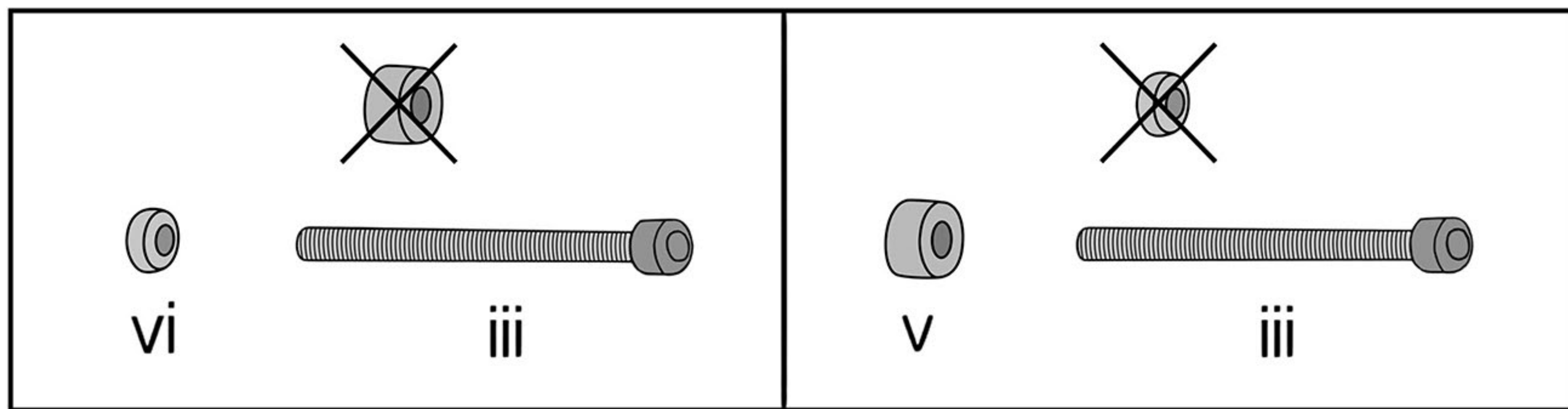
Remove the bolts from the shock strut and motorcycle frame as shown in Fig 2.



**Fig2. Removing the bolts**

**Note:**

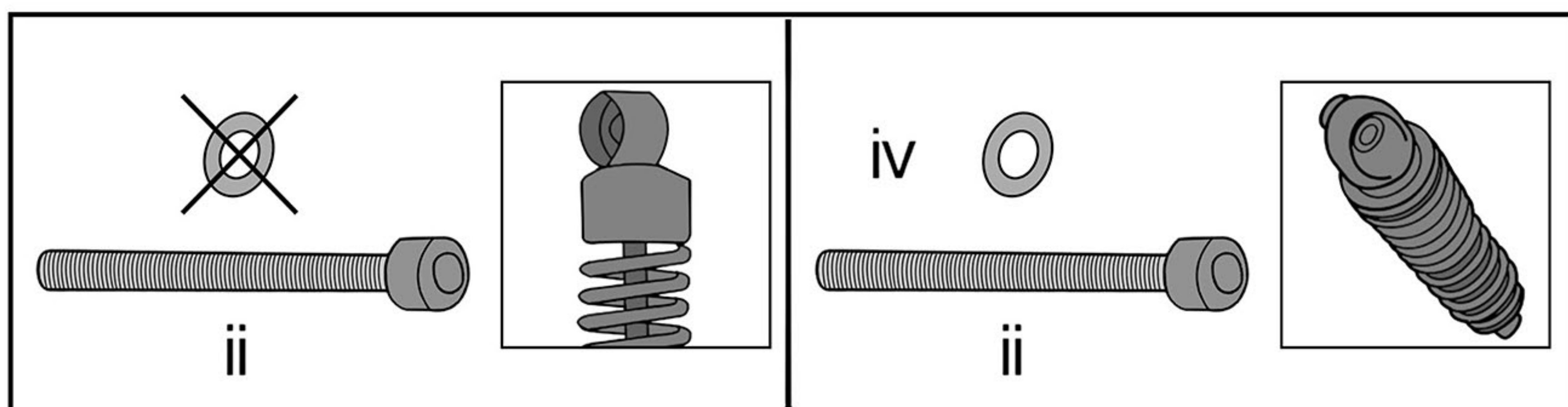
i. Use the correct configuration of mounting hardware for your motorcycle model as shown in Fig 3. and Fig 4. before step 2



All other models

1200 Sportster 2016 and up  
and 1200 Roadster

**Fig 3. Configuration of Fender Strut**



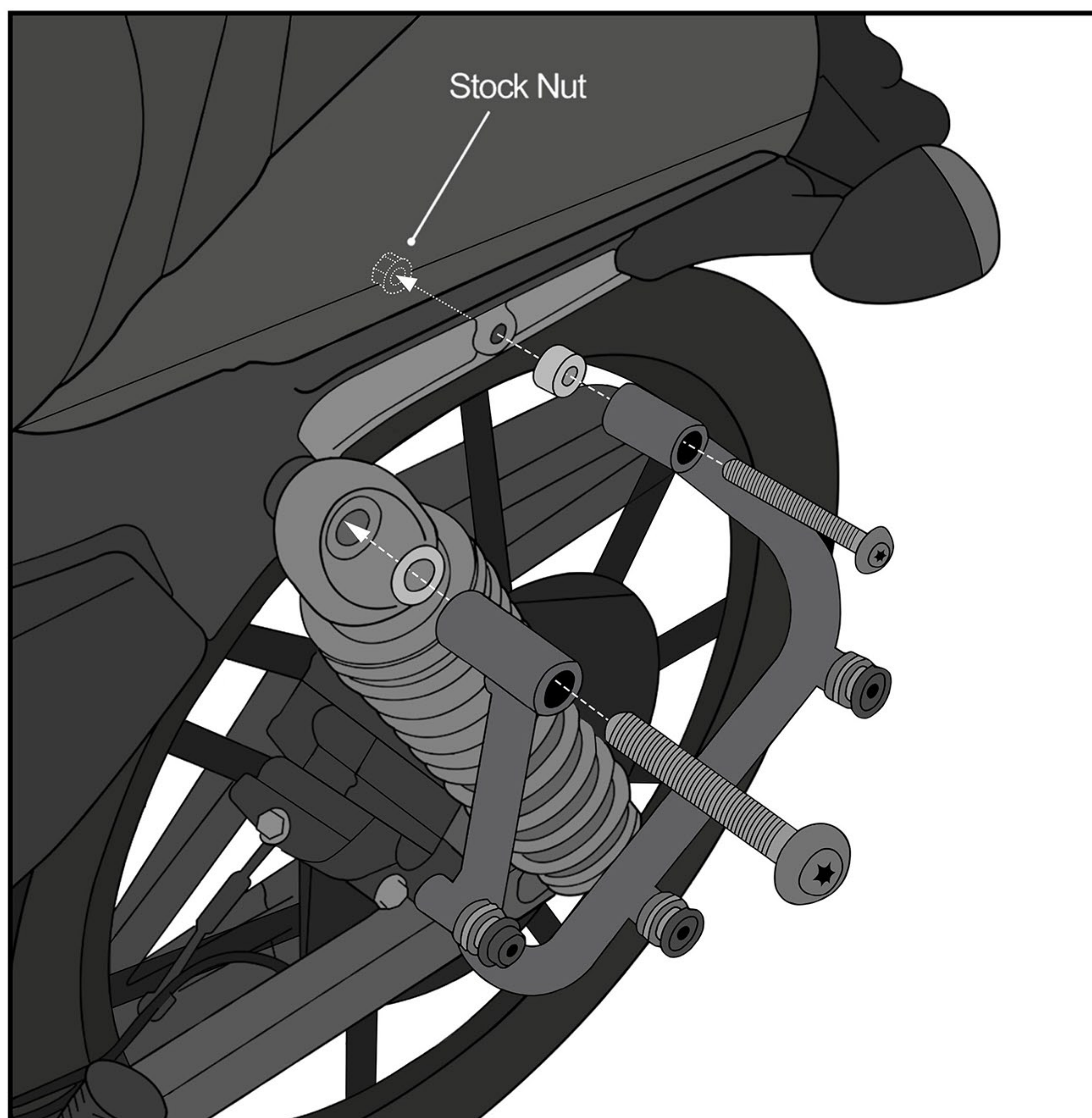
Shock Strut without Cap

Shock Strut with Cap

**Fig 4. Configuration of Shock Strut**

## Step 2

Attach the mounting bracket (i) to the motorcycle frame as shown in Fig 5 and use the stock nut. Make sure to tighten the bolts using the manufacturer's recommended torque.

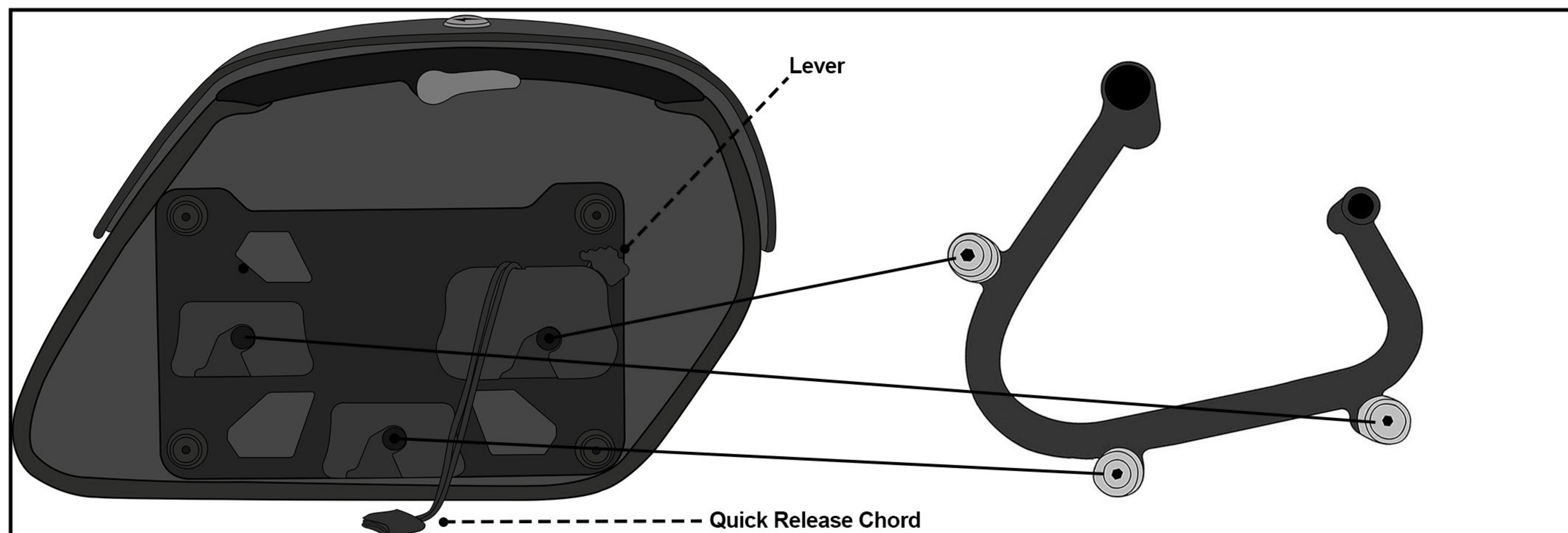


**Fig 5. Installing the mounting bracket**

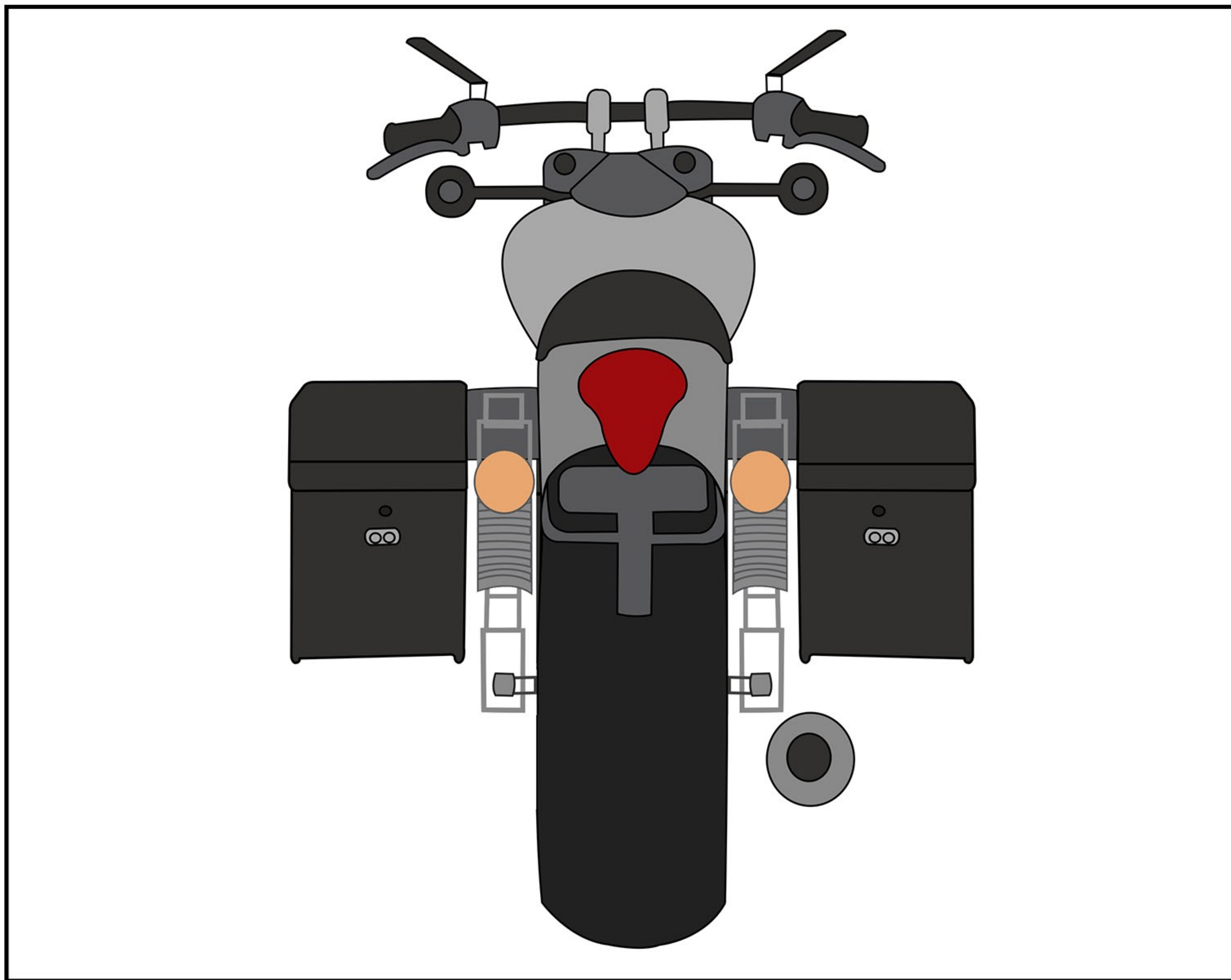
## Step 3:

Use the pre-installed adapter plate in the back of the Viking Detachable Bag to mount it on the bracket as shown in Fig 6. Press the Bag onto the mounting pegs until it properly rests on the mounting bracket.

In order to release the bag, press the lever or pull the quick-release cord.



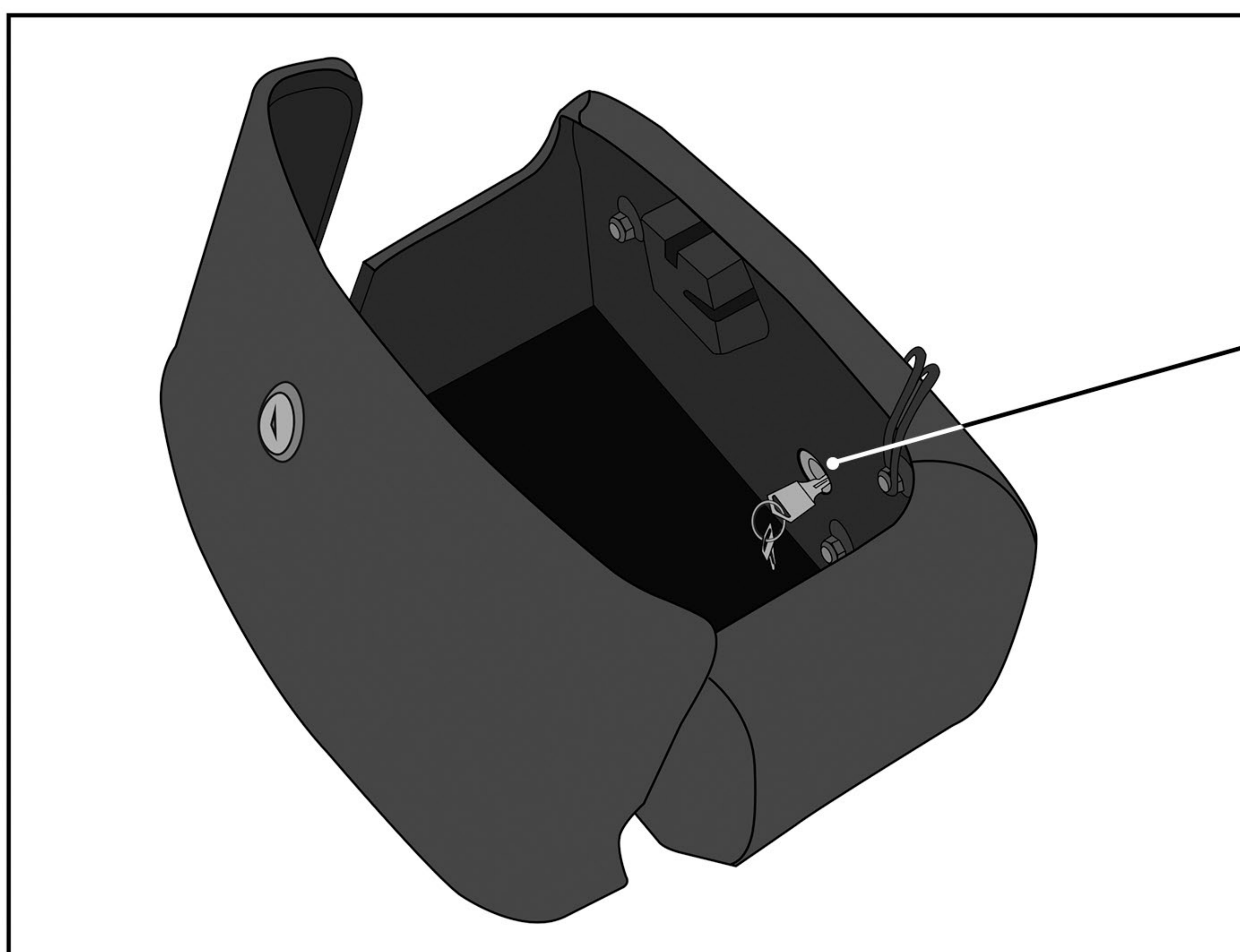
**Fig 6. Attaching the Saddlebag**



**Fig 7. Both Saddlebags Installed**

**Tip:**

The quick disconnect system is key lockable. Lock / unlock the quick disconnect system from inside the bag to secure your bag against theft.



**Locking System**

**Locking System**

# Congratulations, your Viking Quick Mount SaddleBag is installed and you are ready to ride!

## Warnings!

- Do not install if any of the mounting hardware are damaged or impaired.
- If you have any questions or concerns about the installation, call Viking Bags or consult your local mechanic
- Ensure no part of the bag constructs any of the moving parts of the bike
- Viking Bags is not liable for any damage or malfunctions caused to your motorcycle during the installation process
- Improper loading can cause vehicle handling problems leading to death or severe injury.
- Periodically check the bolts on your bike for tightness.