

Viking Quick Mount Saddlebag Installation for Ducati Scrambler 2018+:



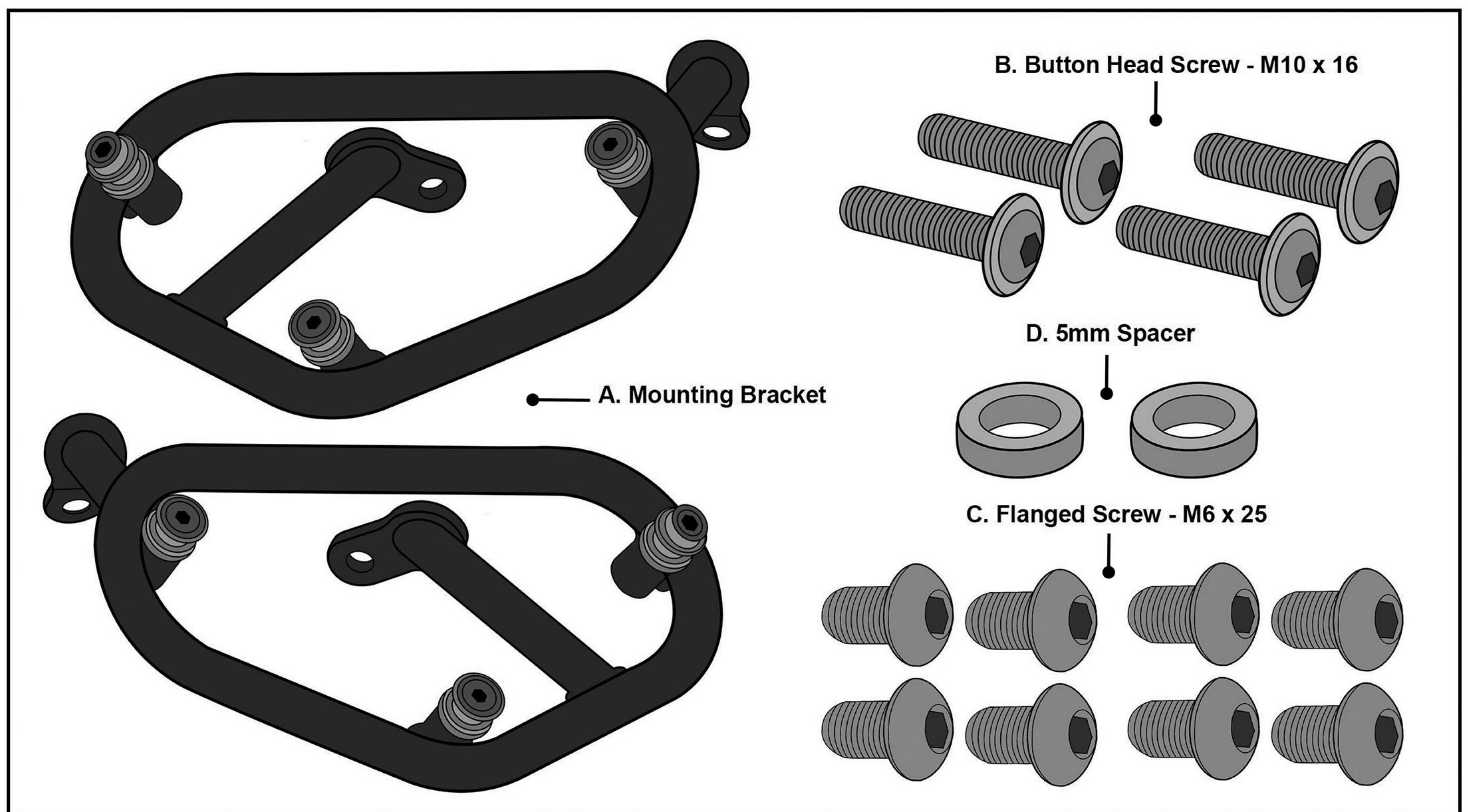
Parts List:

A	Mounting Bracket	x2
B	Button Head Screw - M10 x 16	x4
C	Flanged Screw - M6 x 25	x8
D	5mm Spacer	x2

Note:

- Tighten screws with the manufacturer's specified torque.
- Make sure to use Loctite for the final step.
- The installation shows mounting on one side only, you can follow the same steps for the other side.

Parts Diagram:



Parts Diagram

Installation Instructions:

Step 1:

Remove OEM bolts and plastic caps from the motorcycle. Push the license plate tab downwards. Refer to Fig 1.

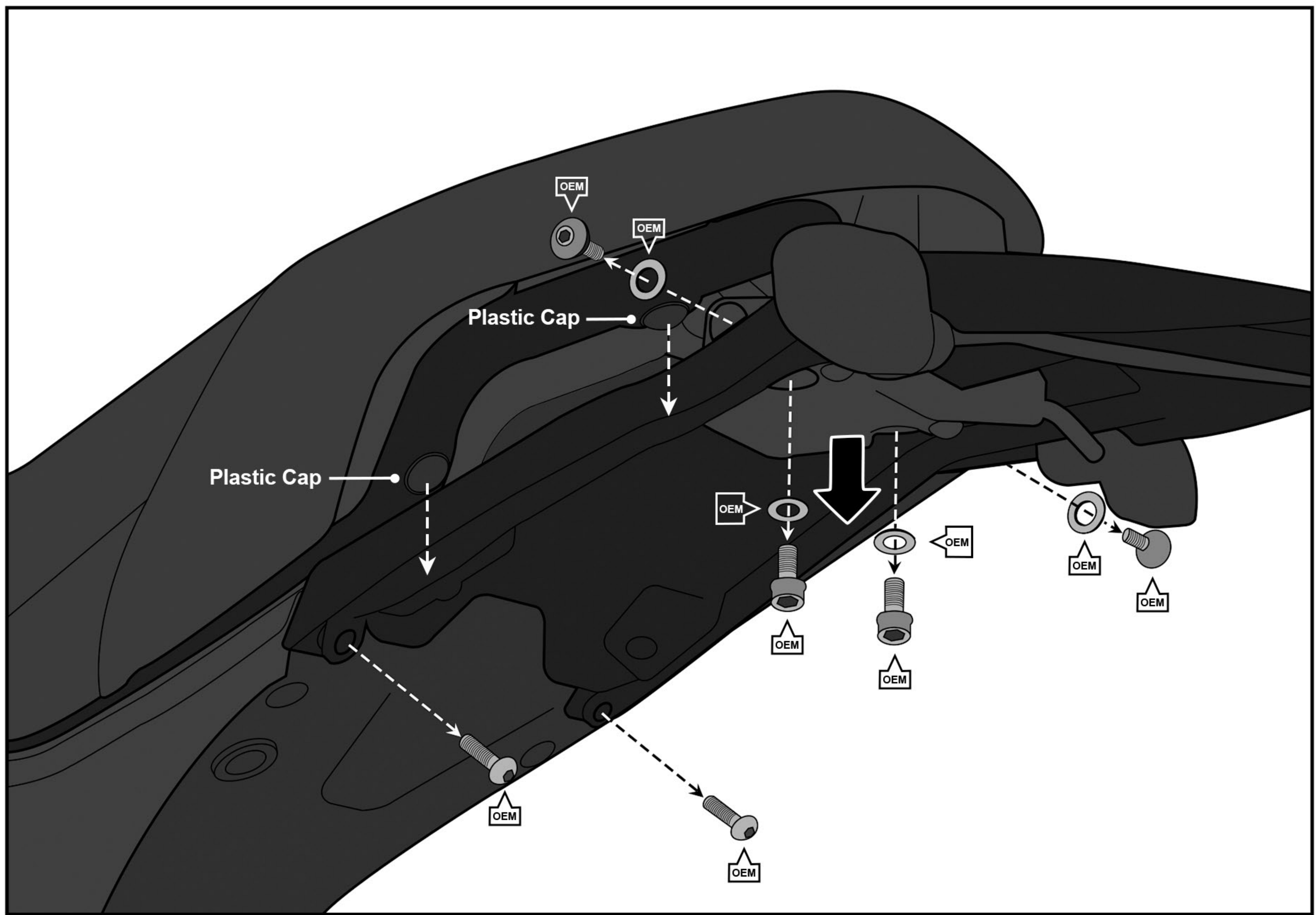


Fig 1. Remove OEM Bolts

Step 2:

Attach the Mounting Bracket (A) to the motorcycle fender using Button Head Screw - M10 x 16 (B) Refer to Fig 2.

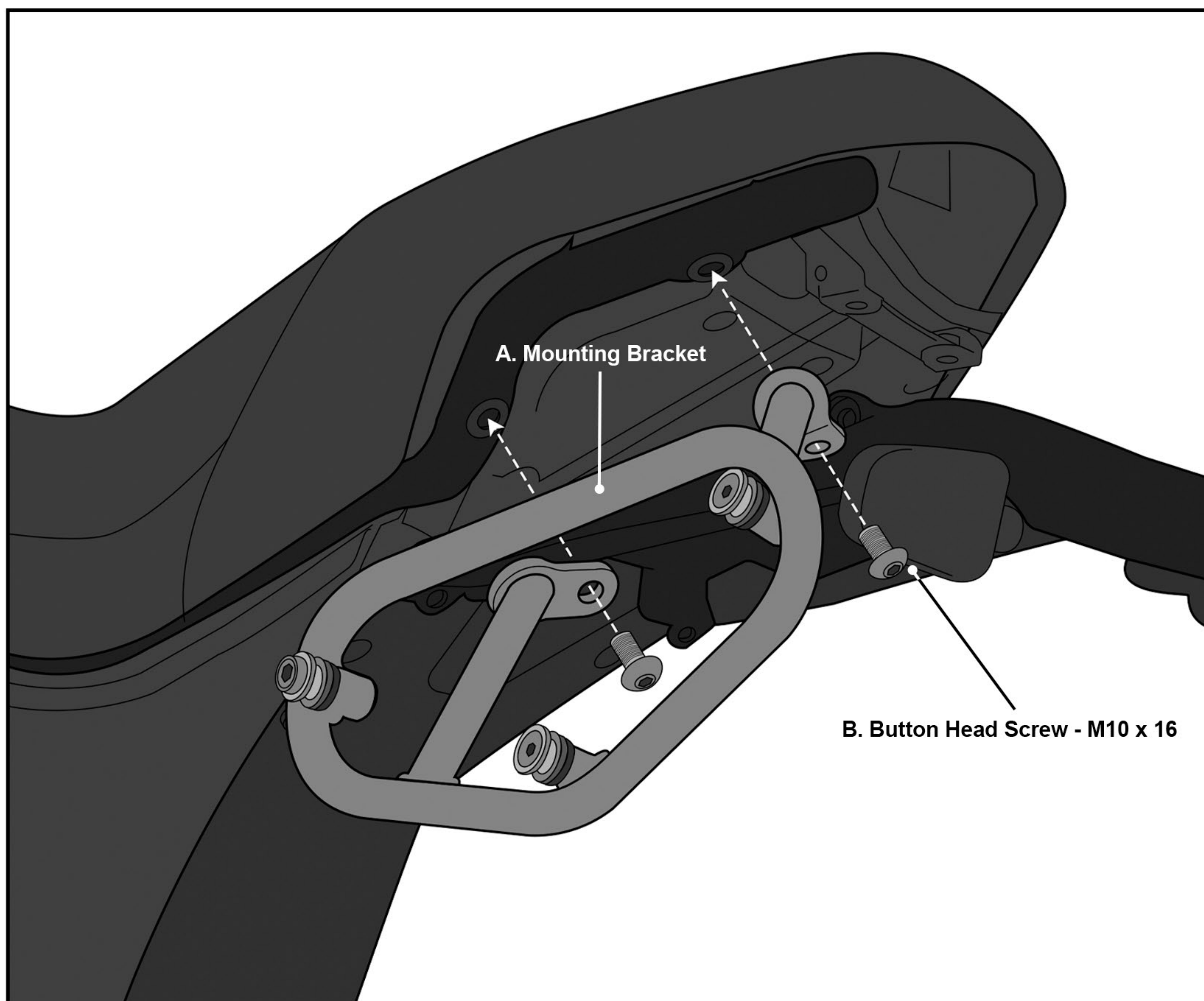


Fig 2. Attach the Mounting Bracket

Step 3:

Install back the license plate tab using Flanged Screw - M6 x 25 (C), 5mm Spacer (D) and OEM spacer. Refer to Fig 3.

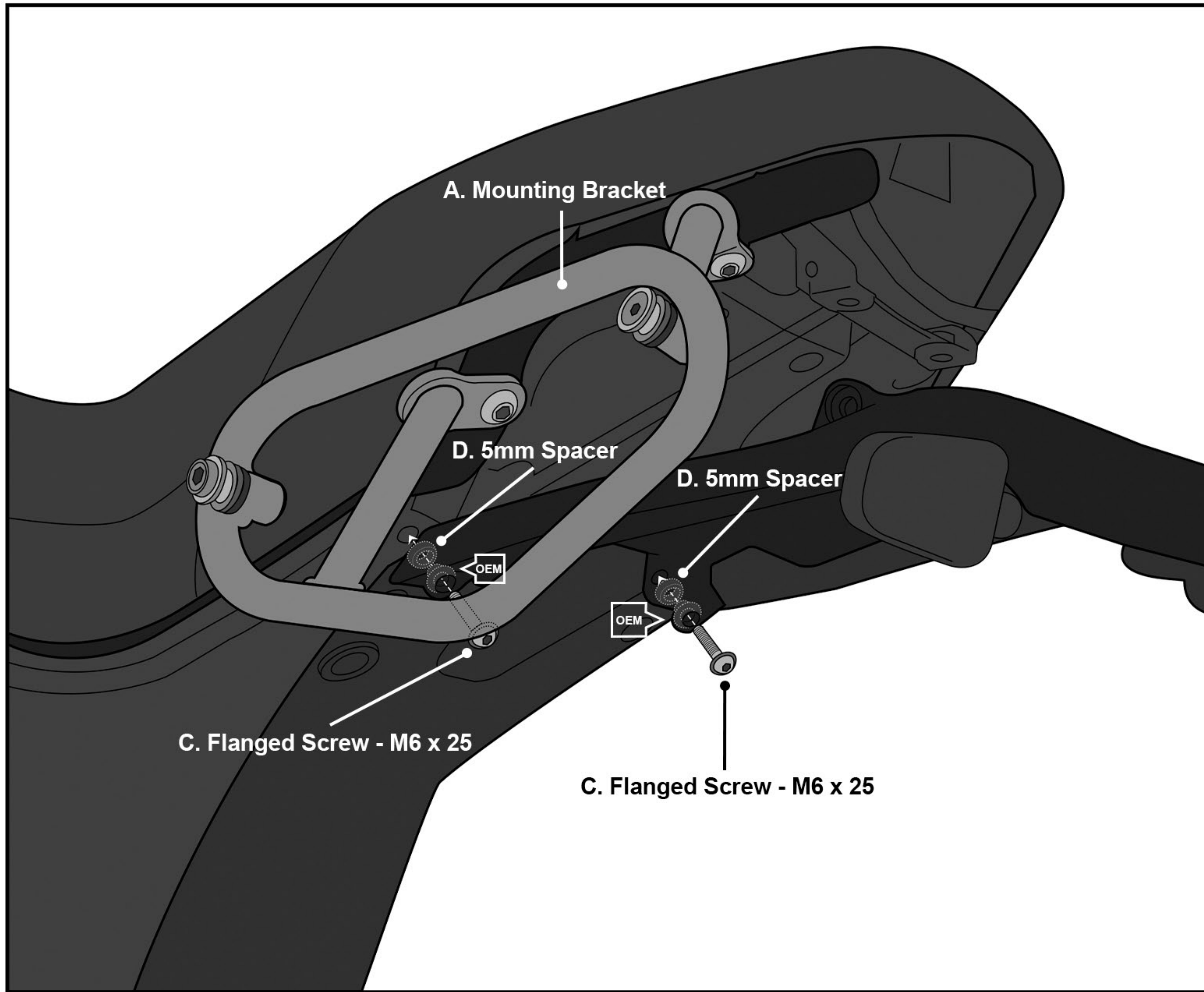


Fig 3. Attaching back License Plate Tab

Step 4:

Finish the installation by reattaching the OEM screws to the license plate tab. Refer to Fig 4.

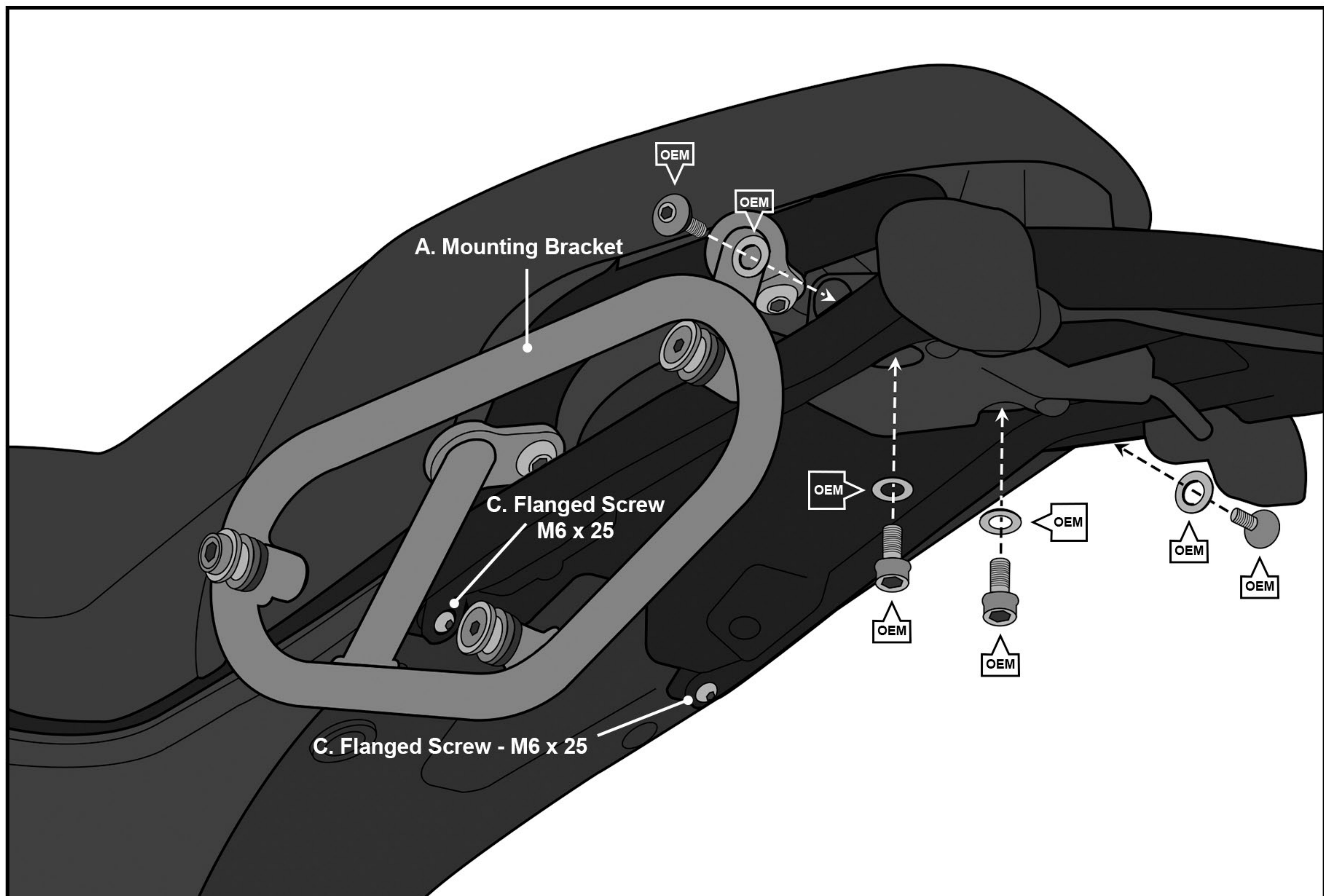


Fig 4. Finish reattaching using OEM screws

Step 5:

Use the pre-installed adapter plate in the back of the Viking Detachable Bag to mount it on the bracket as shown in Fig 5. Press the Bag onto the mounting pegs until it properly rests on the mounting bracket.

To release the bag, press the lever or pull the quick-release cord.

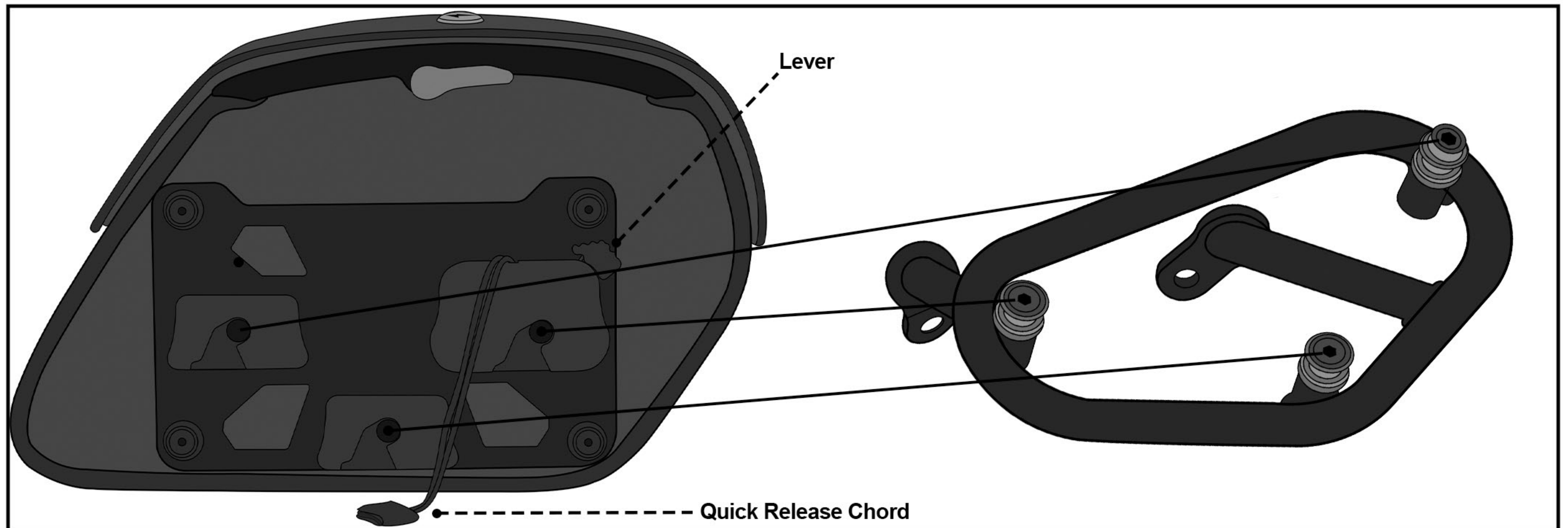


Fig 5. Attaching the Saddlebag

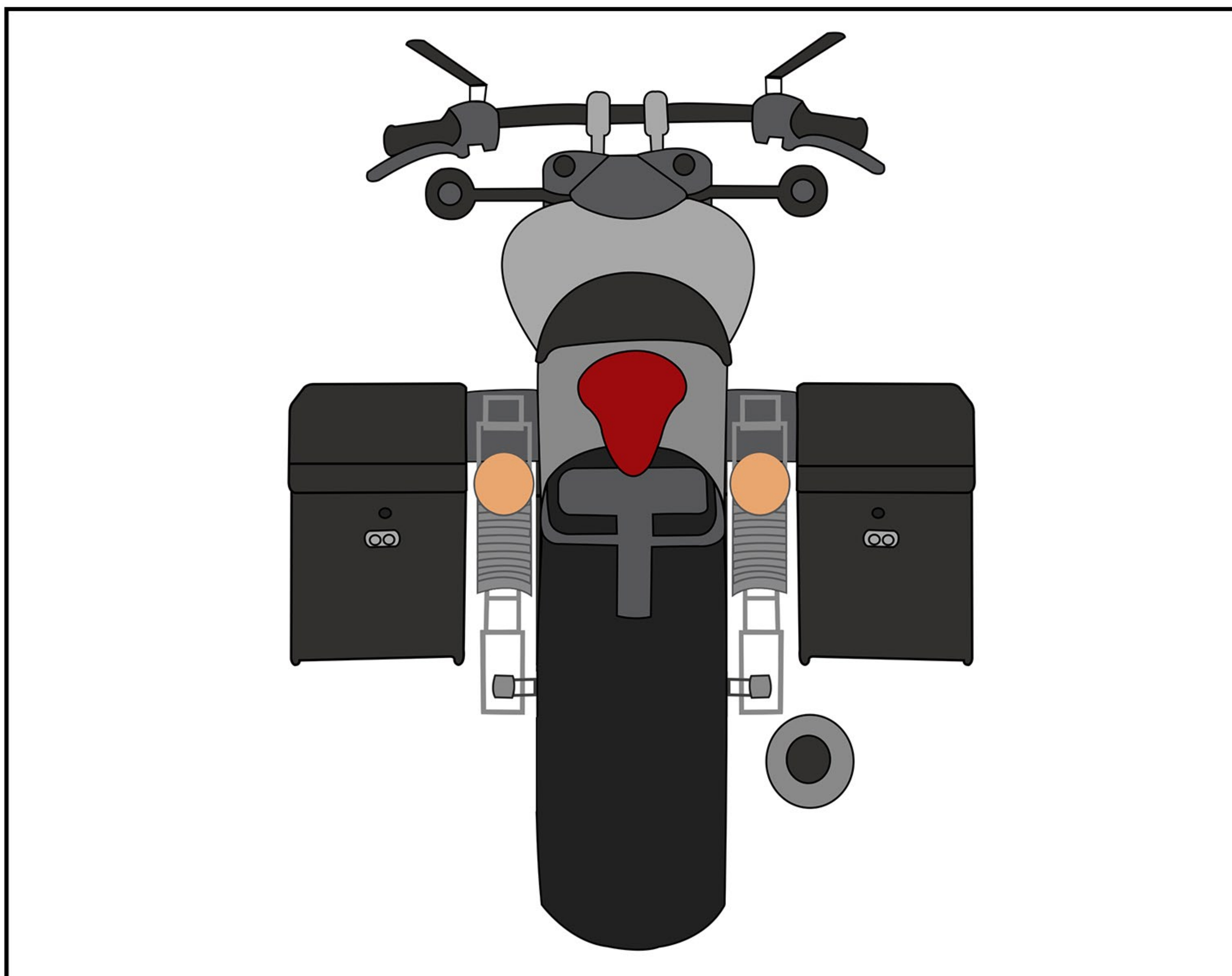
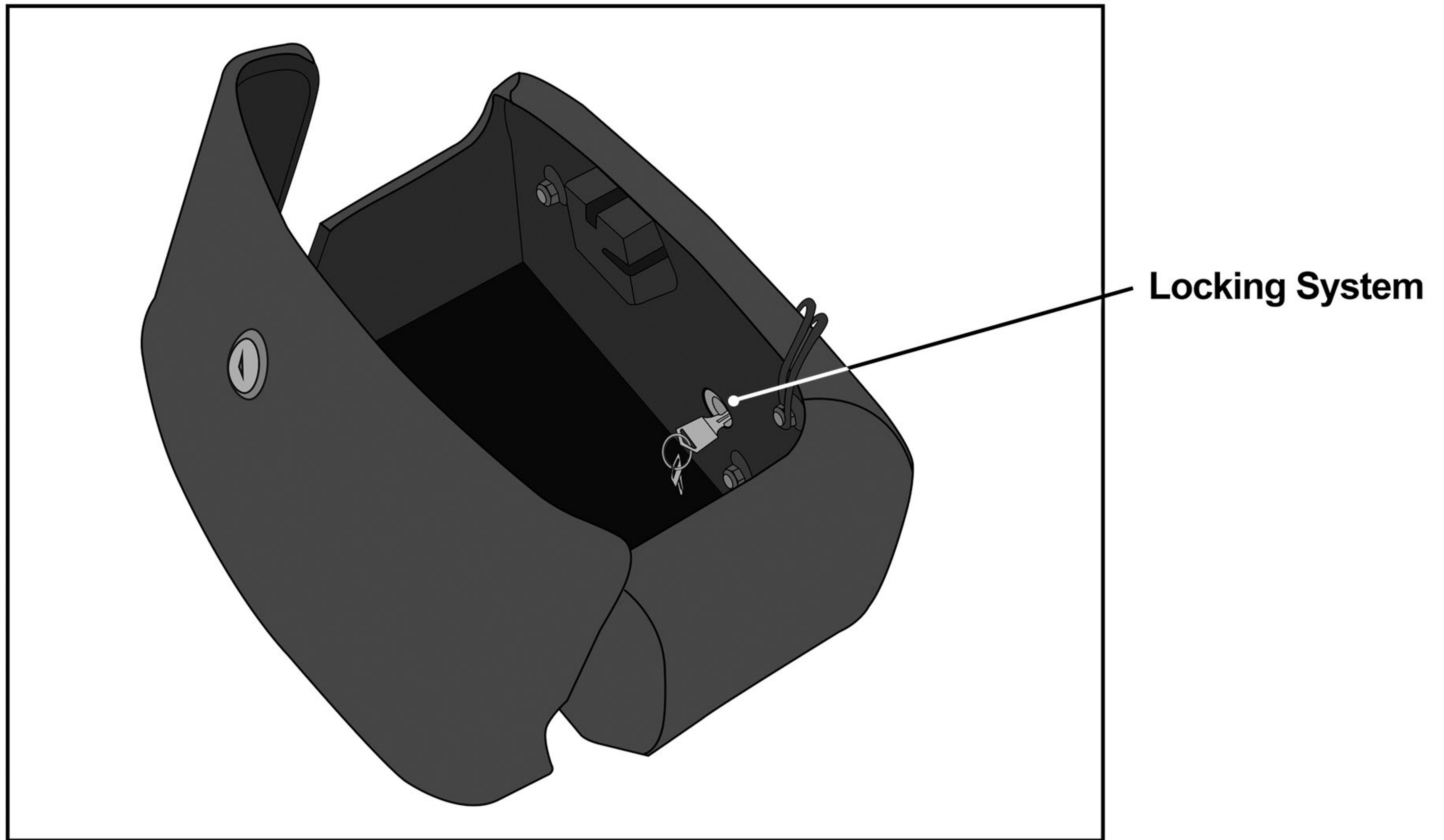


Fig 6. Both Saddlebags Installed

Tip:

The quick disconnect system is key lockable. Lock / unlock the quick disconnect system from inside the bag to secure your bag against theft.



Locking System

Congratulations, your Viking Quick Mount SaddleBag is installed and you are ready to ride!

Warnings!

- Do not install if any of the mounting hardware are damaged or impaired.
- If you have any questions or concerns about the installation, call Viking Bags or consult your local mechanic
- Ensure no part of the bag constructs any of the moving parts of the bike
- Viking Bags is not liable for any damage or malfunctions caused to your motorcycle during the installation process
- Improper loading can cause vehicle handling problems leading to death or severe injury.
- Periodically check the bolts on your bike for tightness.