

# Viking Ironclad Solo Saddlebag Installation for Indian Scout Bobber:



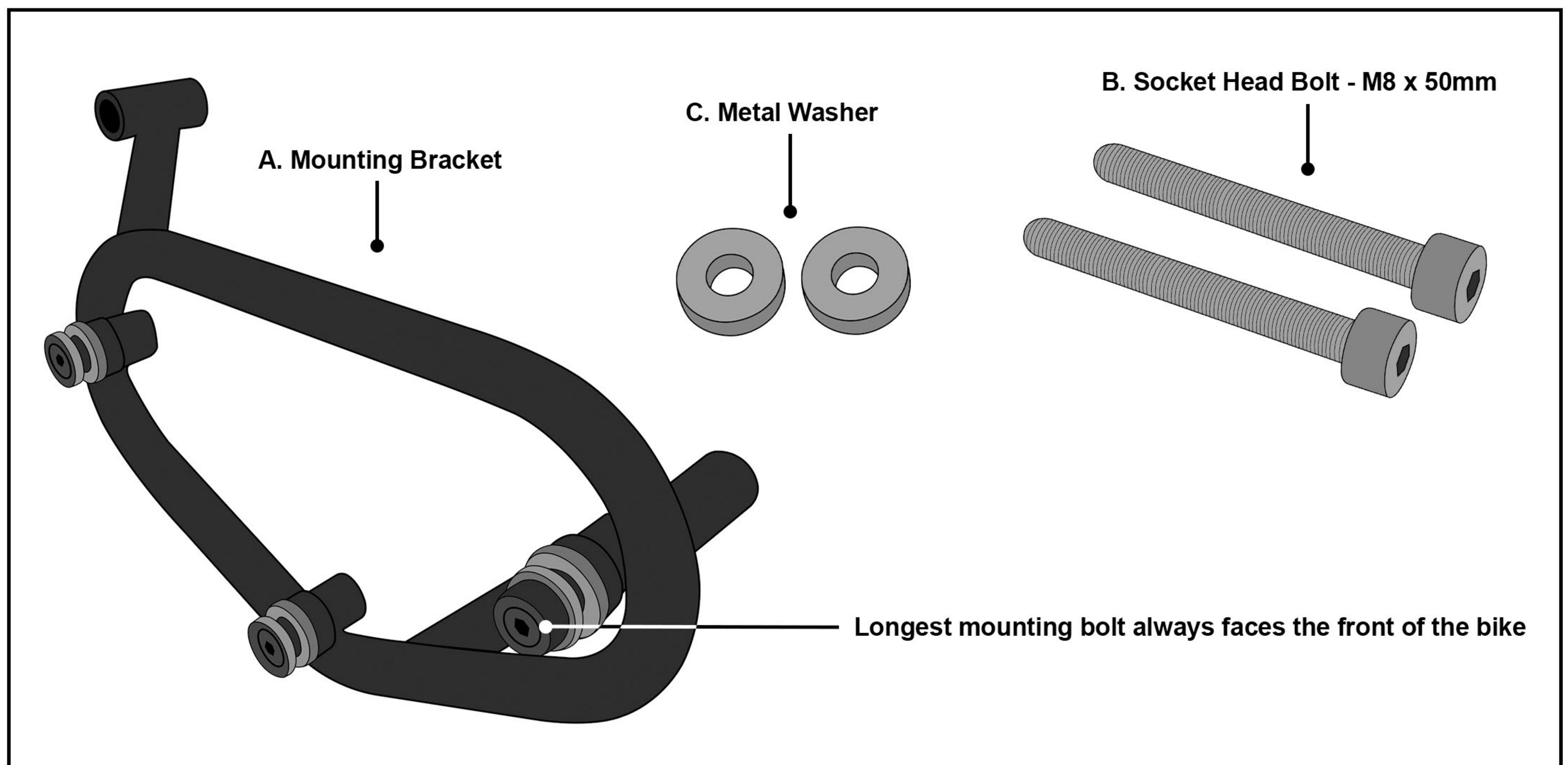
## Parts List:

A	Mounting Bracket	x1
B	Socket Head Bolt - M8 x 50mm	x2
C	Metal Washer	x2

## Note:

- Tighten screws with the manufacturer's specified torque.
- Make sure to use Loctite for the final step.
- This Installation step shows the right-hand side, but the same steps apply to the left-hand side assembly.

## Parts Diagram:



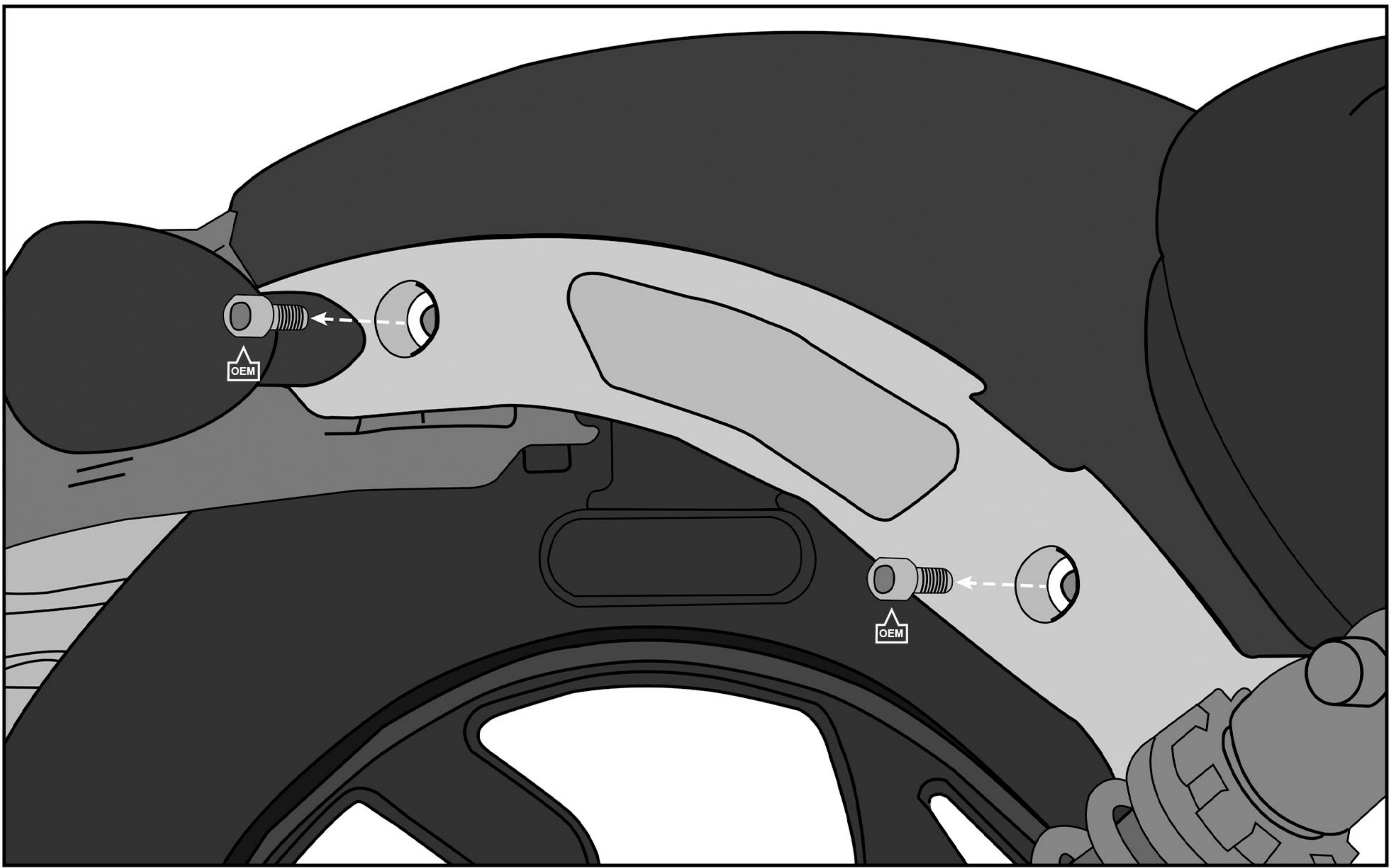
Parts Diagram

## Installation Instructions:

### Step 1:

Remove the OEM bolts from the motorcycle fender. Refer to Fig 1.

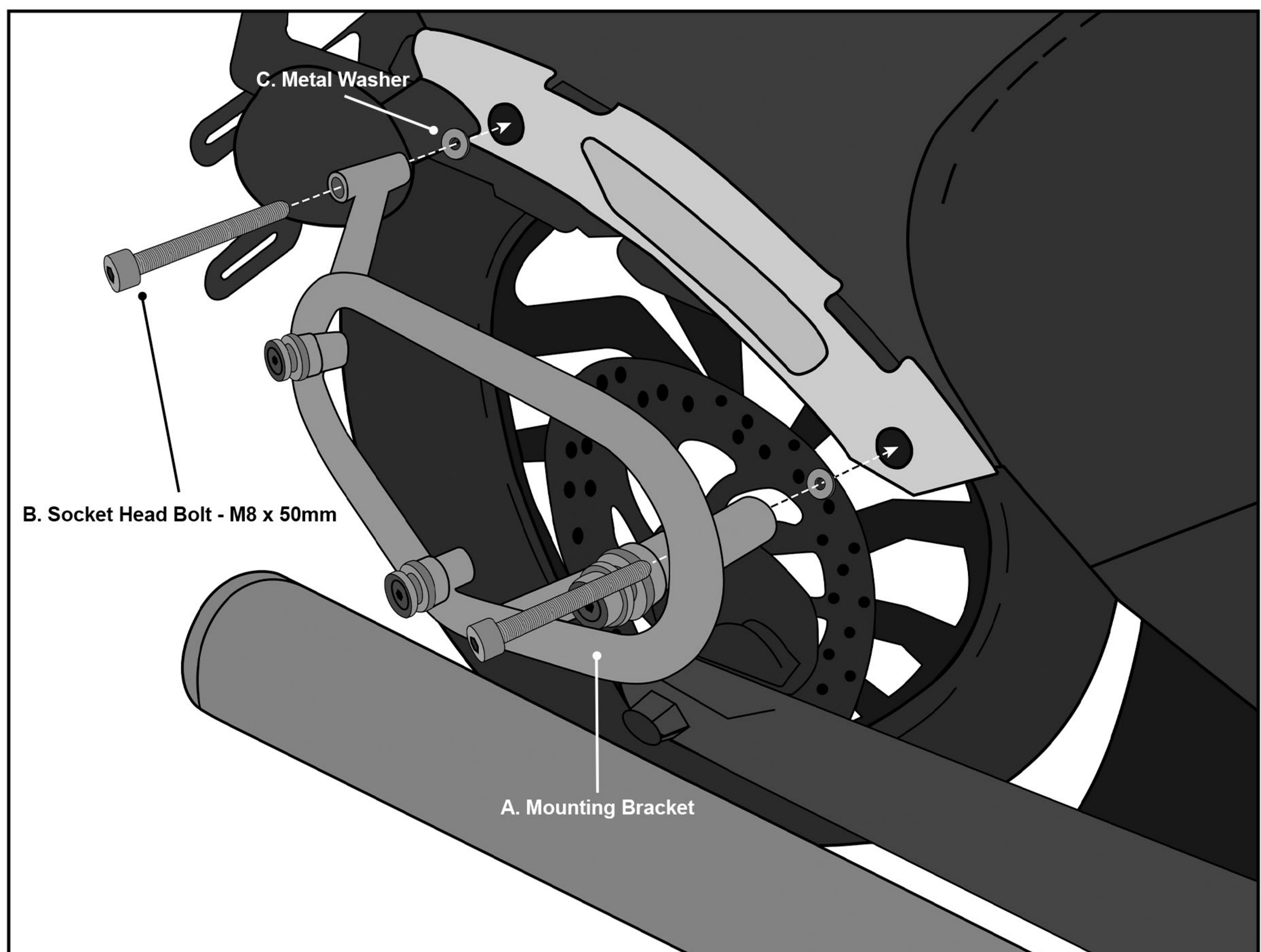




**Fig 1. Remove the OEM bolts**

## **Step 2:**

Install the motorcycle mounting bracket (A) using the provided hardware. Refer to Fig 2.



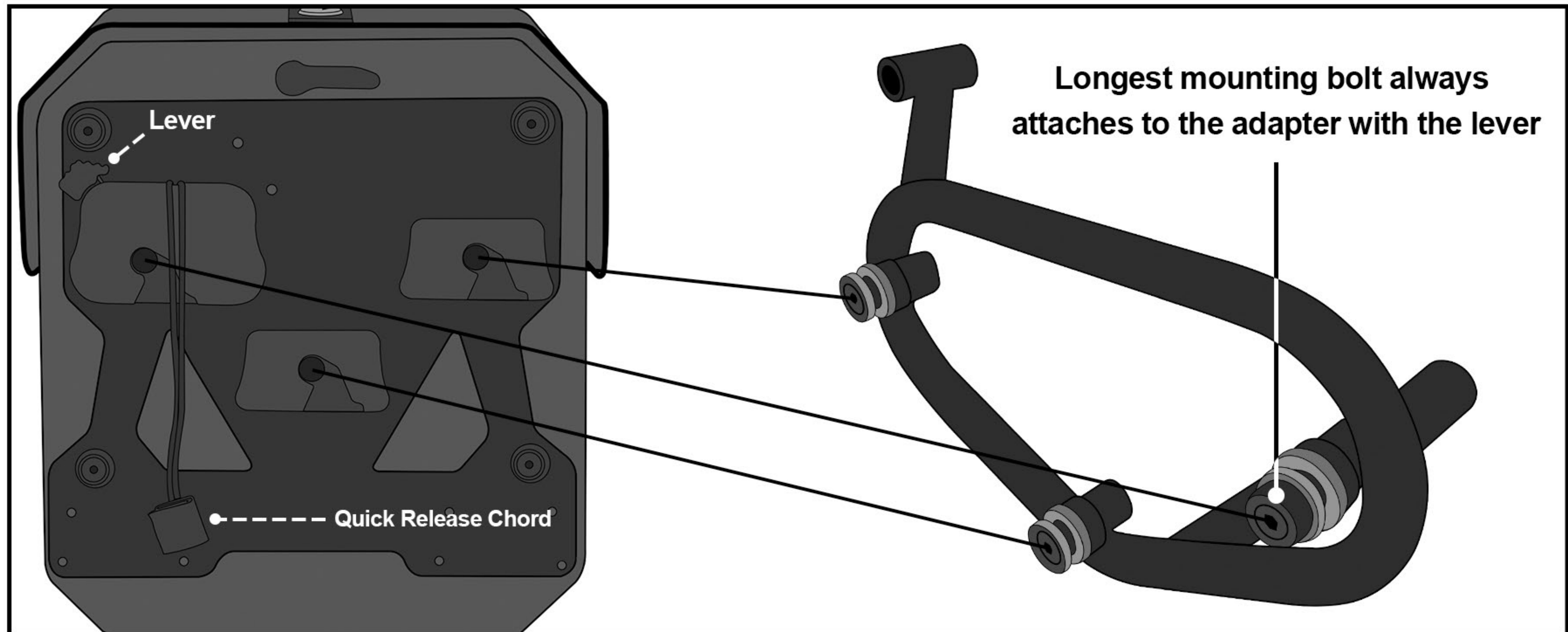
**Fig 2. Attaching the Mounting Bracket**



### Step 3:

Use the pre-installed adapter plate in the back of the Viking Detachable Solo Bag to mount it on the bracket as shown in Fig 3. Press the Solo Bag onto the mounting pegs until it properly rests on the mounting bracket.

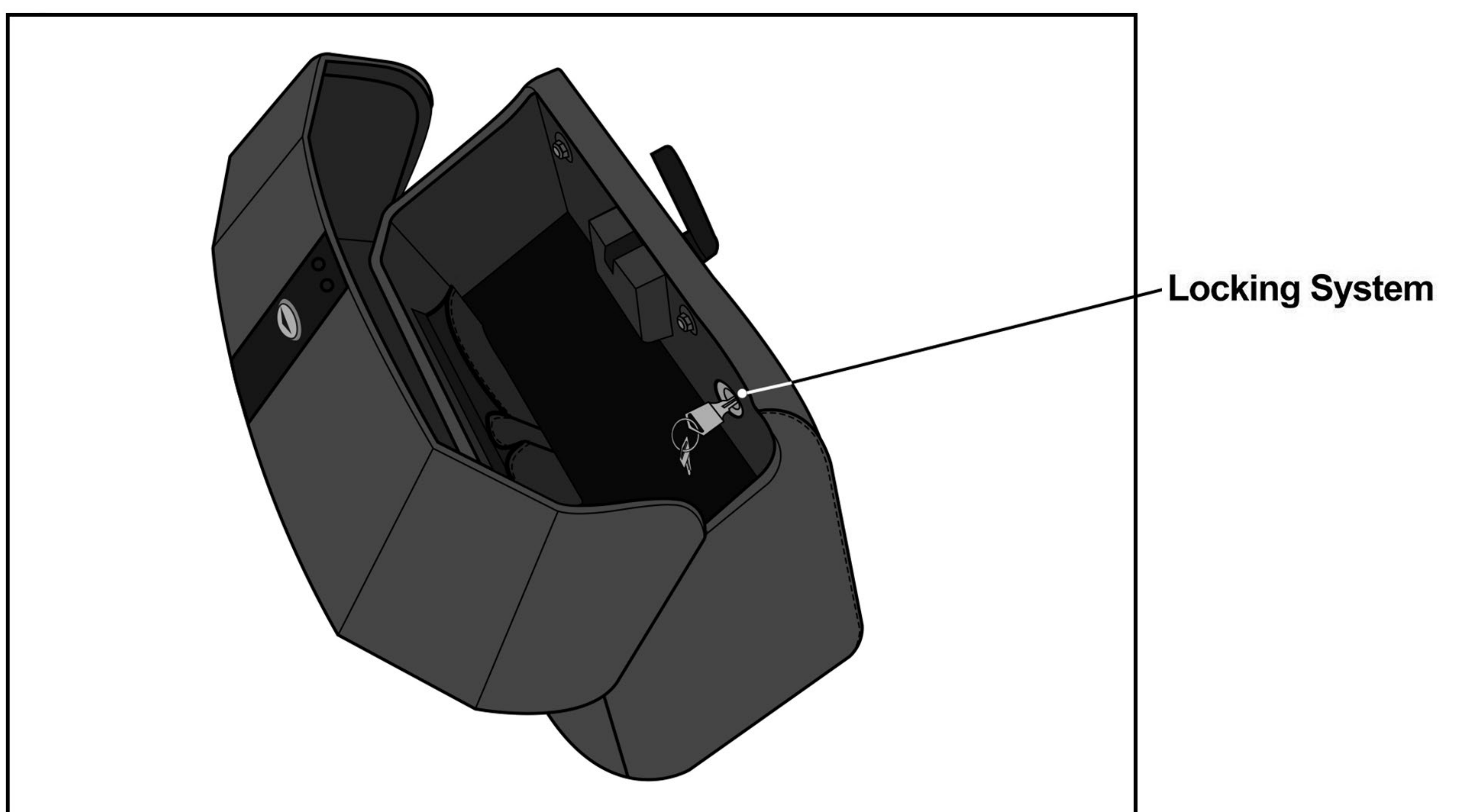
To release the bag, press the lever or pull the quick-release cord.



**Fig 3. Attaching the bag to the bracket**

### Tip:

The quick disconnect system is key lockable. Lock / unlock the quick disconnect system from inside the bag to secure your bag against theft.



**Locking System**

# **Congratulations, your Viking Ironclad Solo Saddlebag is installed and you are ready to ride!**

## **Warnings!**

- Do not install if any of the mounting hardware is damaged or impaired.
- If you have any questions or concerns about the installation, call Viking Bags or consult a certified motorcycle mechanic.
- Ensure no part of the bag obstructs any of the moving parts of the bike
- Viking Bags is not liable for any damage or injury caused by improper installation or use of the product.
- Improper loading can cause vehicle handling problems, leading to death or severe injury.
- Periodically check for any signs the bags or bolts are loose and that no mounting kit parts are interfering your motorcycle's drive train, suspension, brakes, wheels, etc.