

# Viking Tomahawk Solo Saddlebag Installation Guide:



## Parts:

i	Mounting Bracket	x1
ii	8mm Cap Nut	x2
iii	9mm Washer	x4
iv	8.5mm Washer	x2
v	9.6 mm Spacer	x2
vi	8mm x 40mm Flat Head Screw	x2
vii	8mm x 70mm Flat Head Screw	x2

## Tools Needed:

- i A flat-blade or Philips screwdriver.
- ii Torque wrench

## Tip:

If a detachable sissy bar is installed on the motorcycle, use provided longer bolts and OEM Spools.

## Parts Diagram:

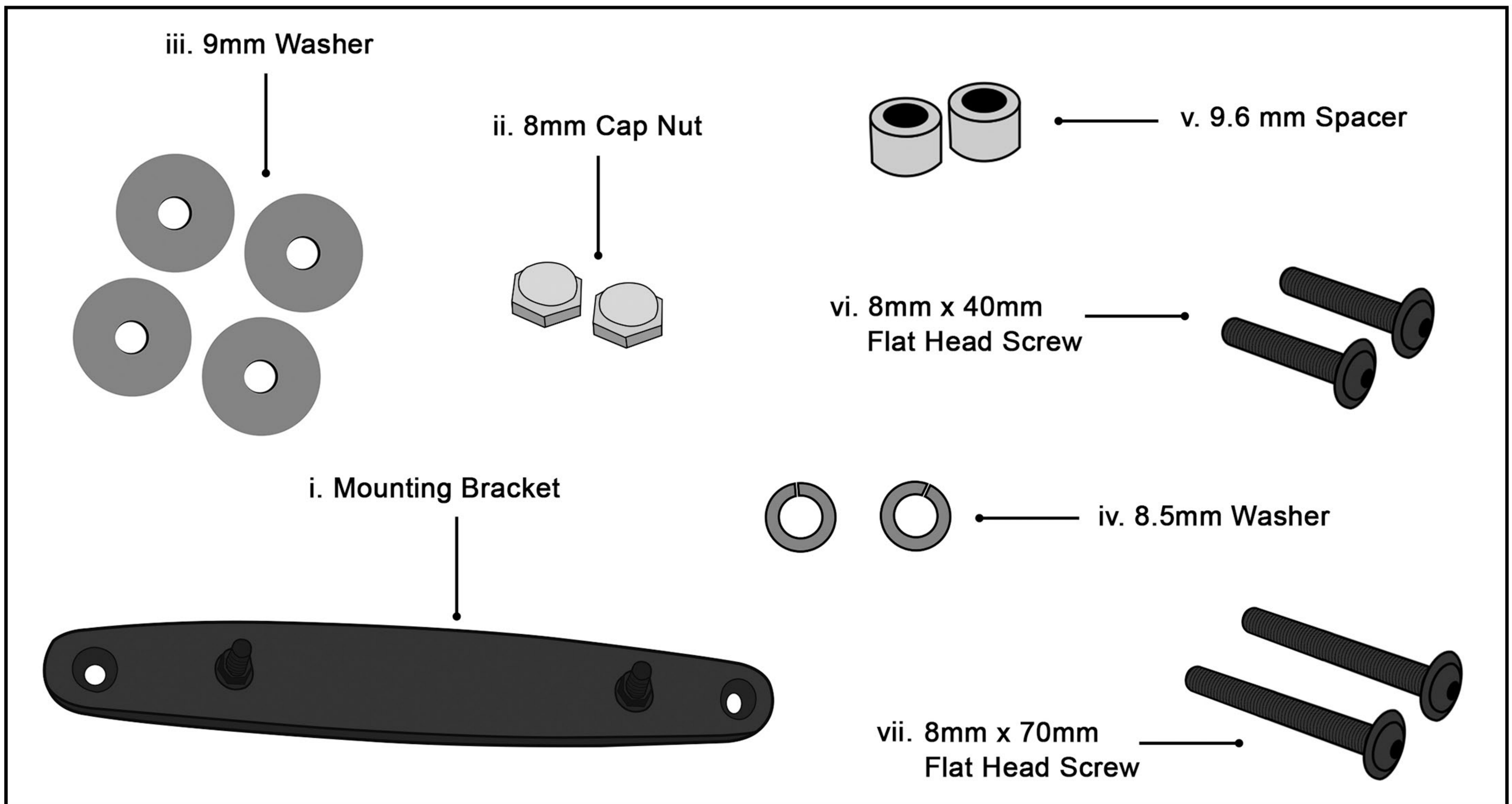


Fig 1. Parts List

## Instructions:

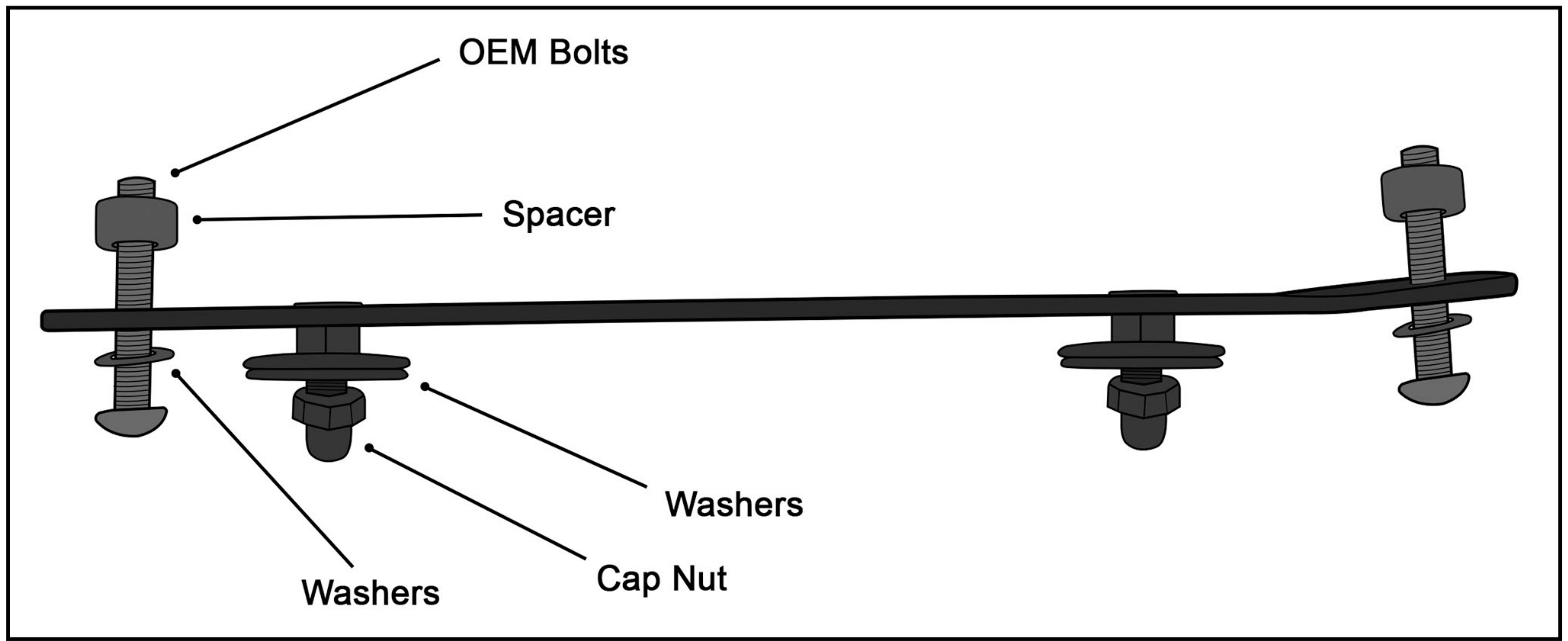
### Step 1:

Remove OEM fender bolts

### Step 2:

Use the provided screws, spacers, and washers and assemble the bracket to install to the motorcycle fender. (See Fig 2.)

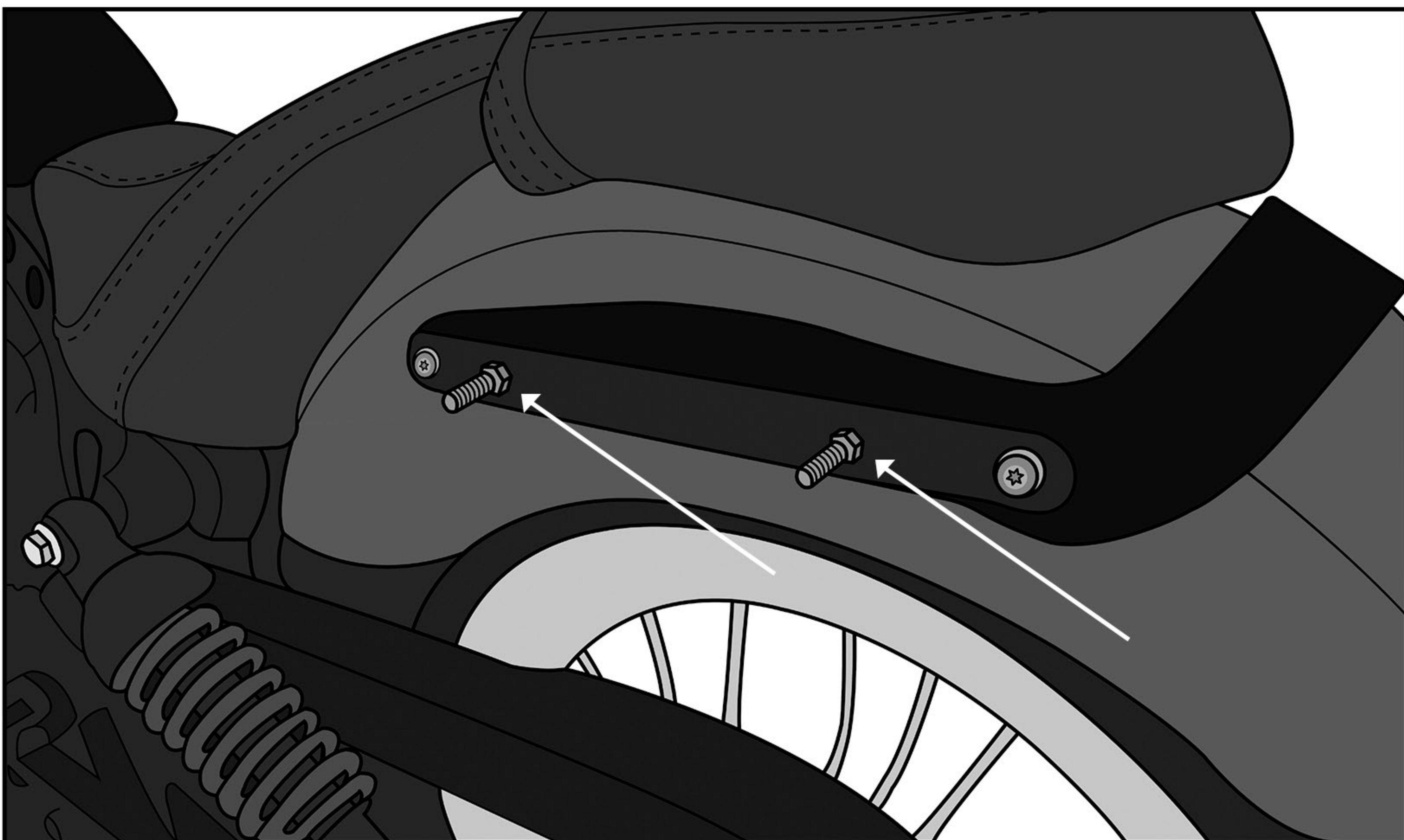




**Fig 2. Mounting Bracket Configuration**

**Step 3:**

Once the bracket is installed to the fender, add two washers to the bolts protruding from the bracket. (See Fig 3)



**Fig 3. Add washers to the protruding bolts**

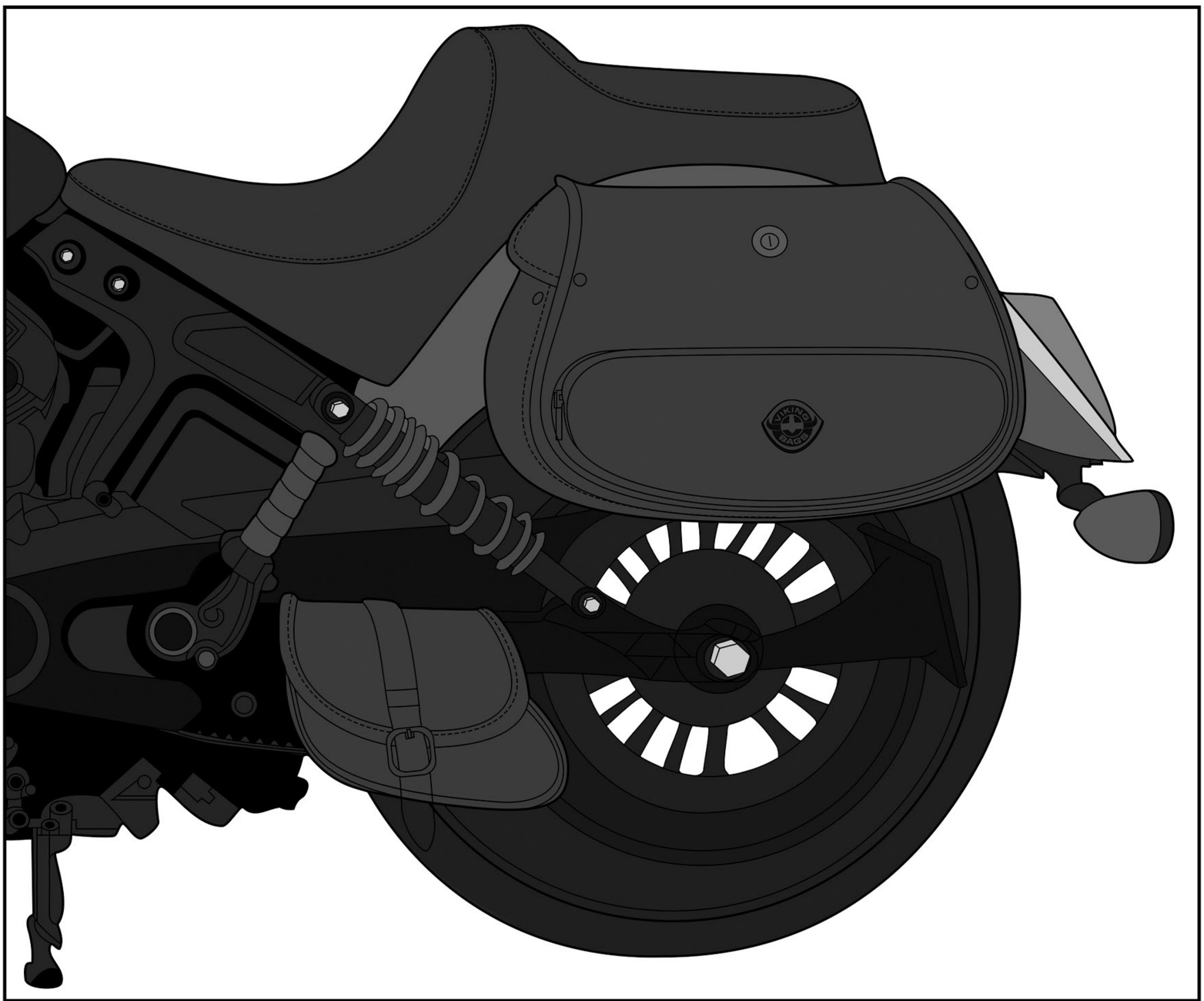
**Step 4:**

Mount the solo bag and add 2 more washers.

**Step 5:**

Finally, tighten the bolts using the provided cap nuts.





**Fig 4. Viking Tomahawk Bag Installed**

**Congratulations! You have successfully installed your Viking Tomahawk Solo Saddlebag and you are ready to ride!**

### **Warnings!**

- Do not install if any of the mounting hardware is damaged or impaired.
- If you have any questions or concerns about the installation, call Viking Bags or consult your local mechanic
- Ensure no part of the bag constructs any of the moving parts of the bike
- Viking Bags is not liable for any damage or malfunctions caused to your motorcycle during the installation process
- Improper loading can cause vehicle handling problems leading to death or severe injury.
- Periodically check the bolts on your bike for tightness.