

# Viking SpiritBlade Saddlebag Installation Guide:



## Parts:

|     |                   |    |
|-----|-------------------|----|
| i   | Mounting Bracket  | x2 |
| ii  | 8mm Cap Nut       | x4 |
| iii | 9mm washers       | x4 |
| iv  | 8.3mm Spacer      | x4 |
| v   | Flat Head Screw   | x4 |
| vi  | Split Lock Washer | x4 |

## Tools Needed:

- i A flat-blade or Philips screwdriver.
- ii Torque wrench

## Tip:

If a detachable sissy bar is installed on the motorcycle, use provided longer bolts and OEM Spools.

## Parts Diagram:

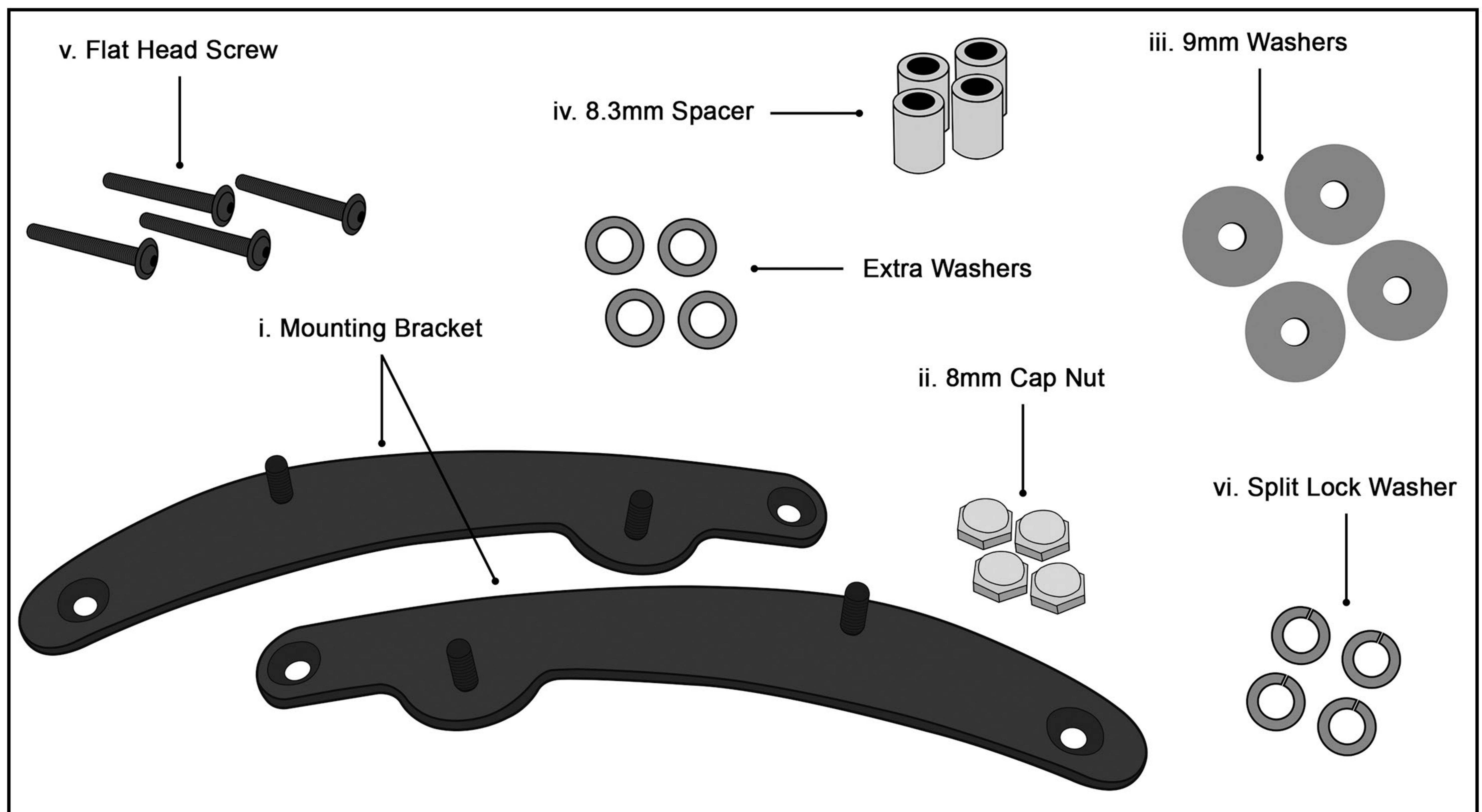


Fig 1. Parts List

## Instructions:

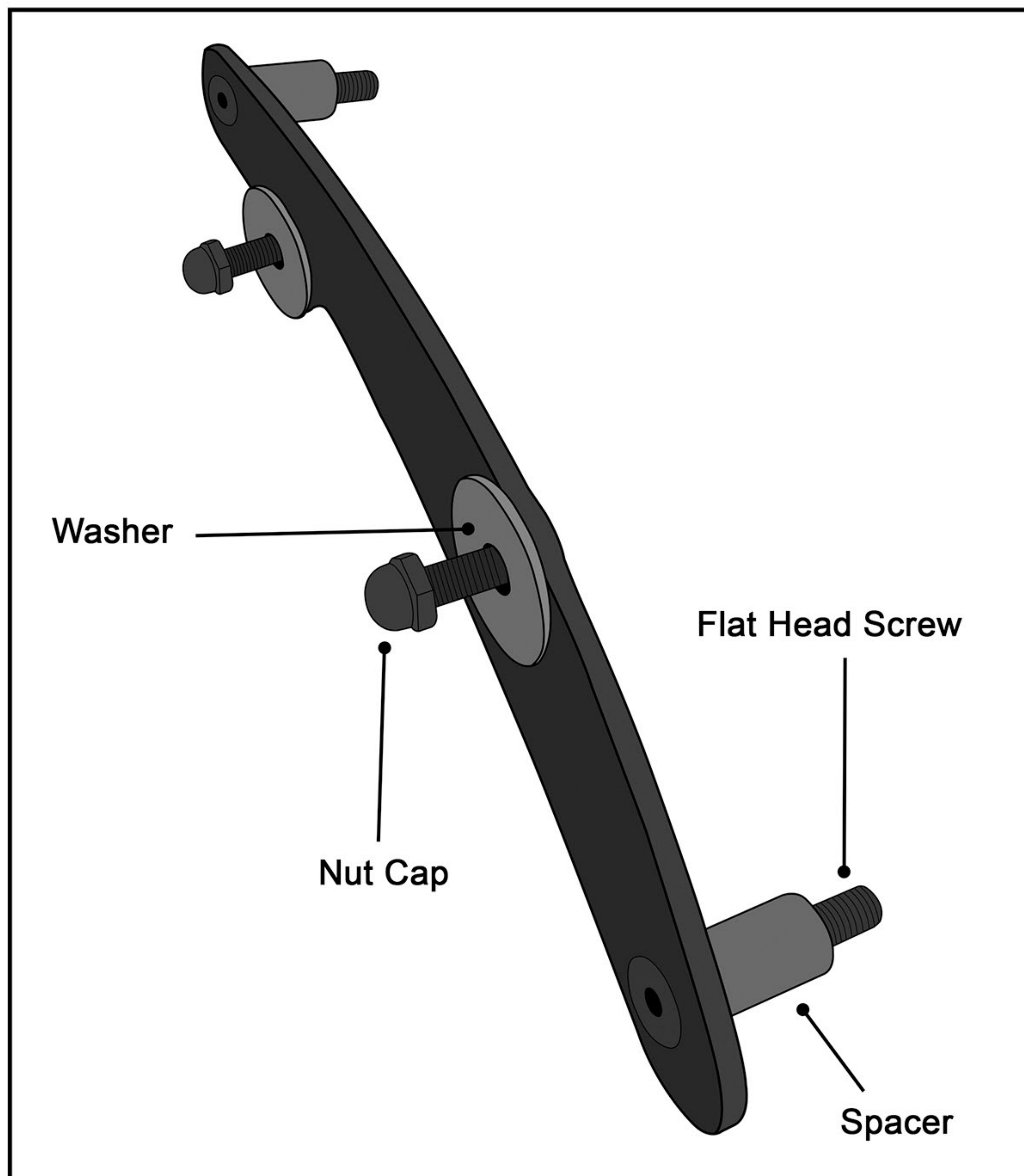
### Step 1:

Remove OEM fender bolts

### Step 2:

Use the provided screws, spacers, and washers and assemble the bracket to install to the motorcycle fender. (See Fig 2.)

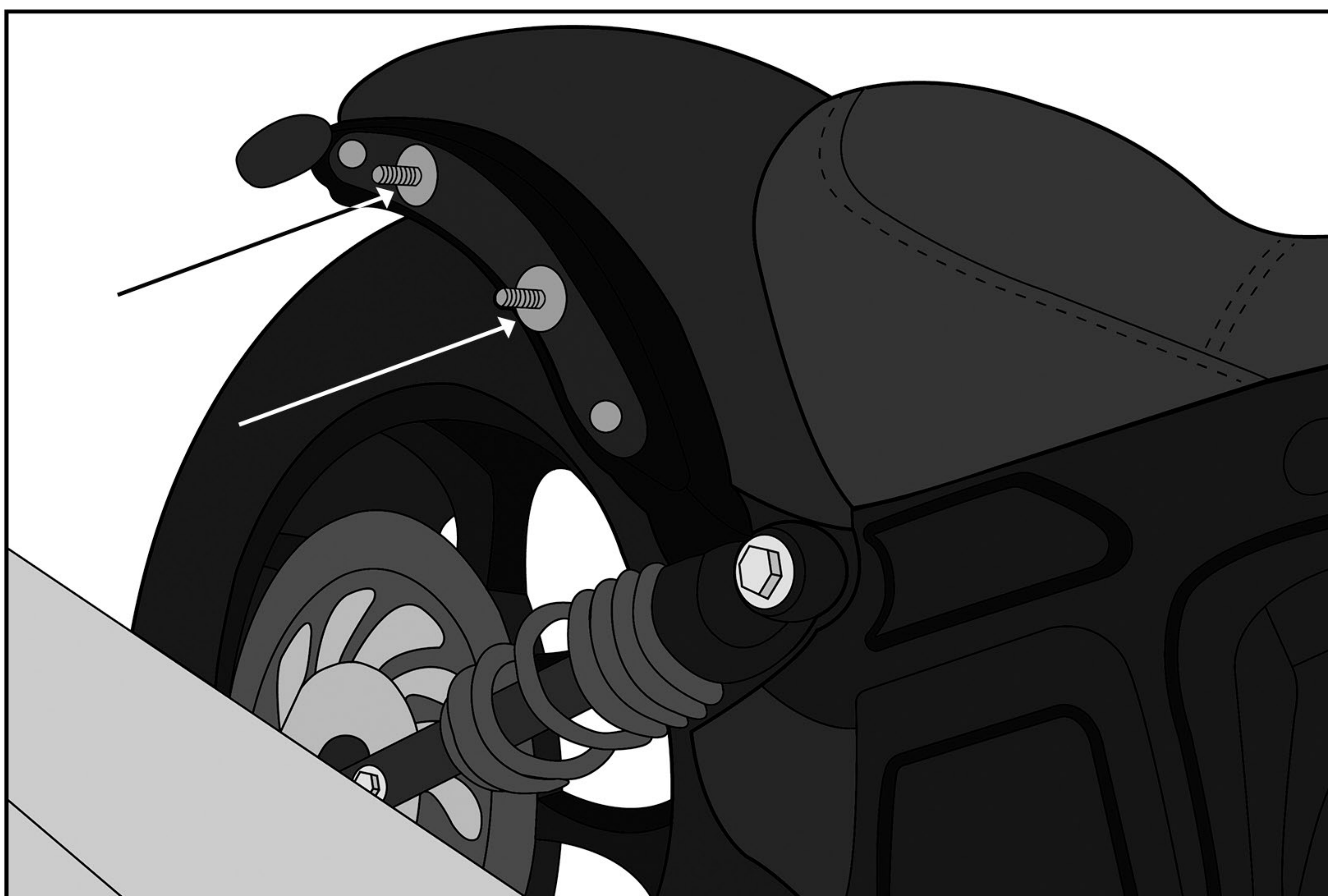




**Fig 2. Mounting Bracket Configuration**

**Step 3:**

Once the bracket is installed to the fender, add two washers to the bolts protruding from the bracket. (See Fig 3)



**Fig 3. Add washers to the protruding bolts**

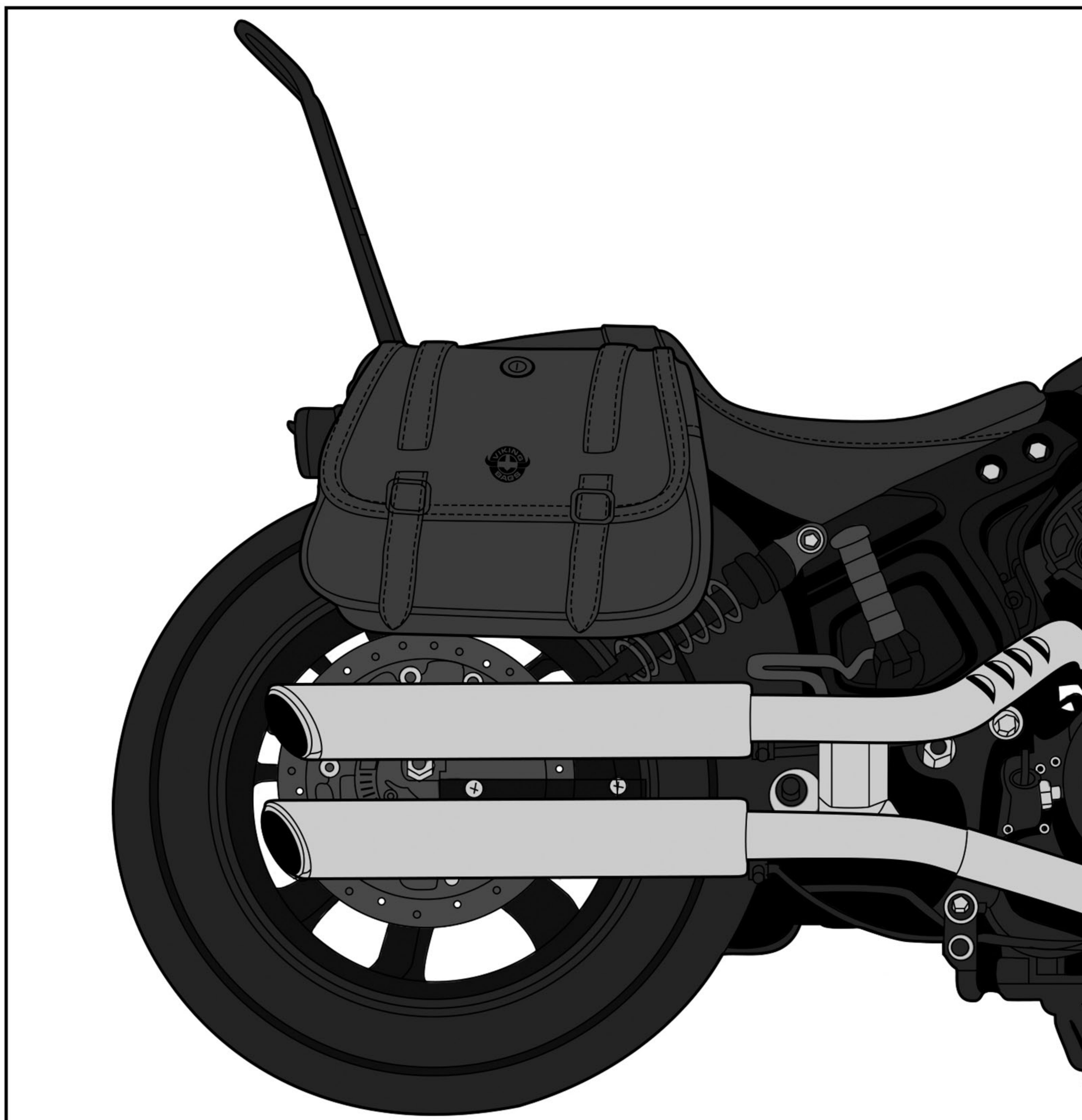
**Step 4:**

Mount the saddlebag and add 2 more washers



## Step 5:

Finally, tighten the bolts using the provided cap nuts.



**Fig 4. Viking SpiritBlade Bag Installed**

## Step 6:

Repeat the same for the other side.

**Congratulations! You have successfully installed your Viking SpiritBlade Saddlebag and you are ready to ride!**

### **Warnings!**

- Do not install if any of the mounting hardware is damaged or impaired.
- If you have any questions or concerns about the installation, call Viking Bags or consult your local mechanic
- Ensure no part of the bag constructs any of the moving parts of the bike
- Viking Bags is not liable for any damage or malfunctions caused to your motorcycle during the installation process
- Improper loading can cause vehicle handling problems leading to death or severe injury.
- Periodically check the bolts on your bike for tightness.