

Viking Dyna Solo Bag Mounting Instruction:



Parts:

- | | | |
|-----|------------------------------------|-----|
| i | Mount Bracketing (Left Side Only) | x 1 |
| ii | Socket Head Bolts | x 2 |
| iii | Connecting Clamp | x 2 |
| iv | Clamp Bolt (with a nut and washer) | x 3 |

Tools Needed:

- | | |
|-----|---------------------------------------|
| i | $\frac{3}{8}$ metric drive socket set |
| ii | A flat-blade or Philips screwdriver |
| iii | Adjustable wrench |
| iv | Hammer |

Note:

- This bag is for the left side only

Instructions:

Step 1

Remove the bolt holding the Turn Signal. Once removed, install the mounting hook between the fender strut and the Turn Signal upright and reinstall the bolt tightly. Note that there is a specific hole in the hook for the wires to pass through so you do not need to cut any wire during installation. The bottom (vacant) hole in the hook will be used for mounting the rear end of the bracket.

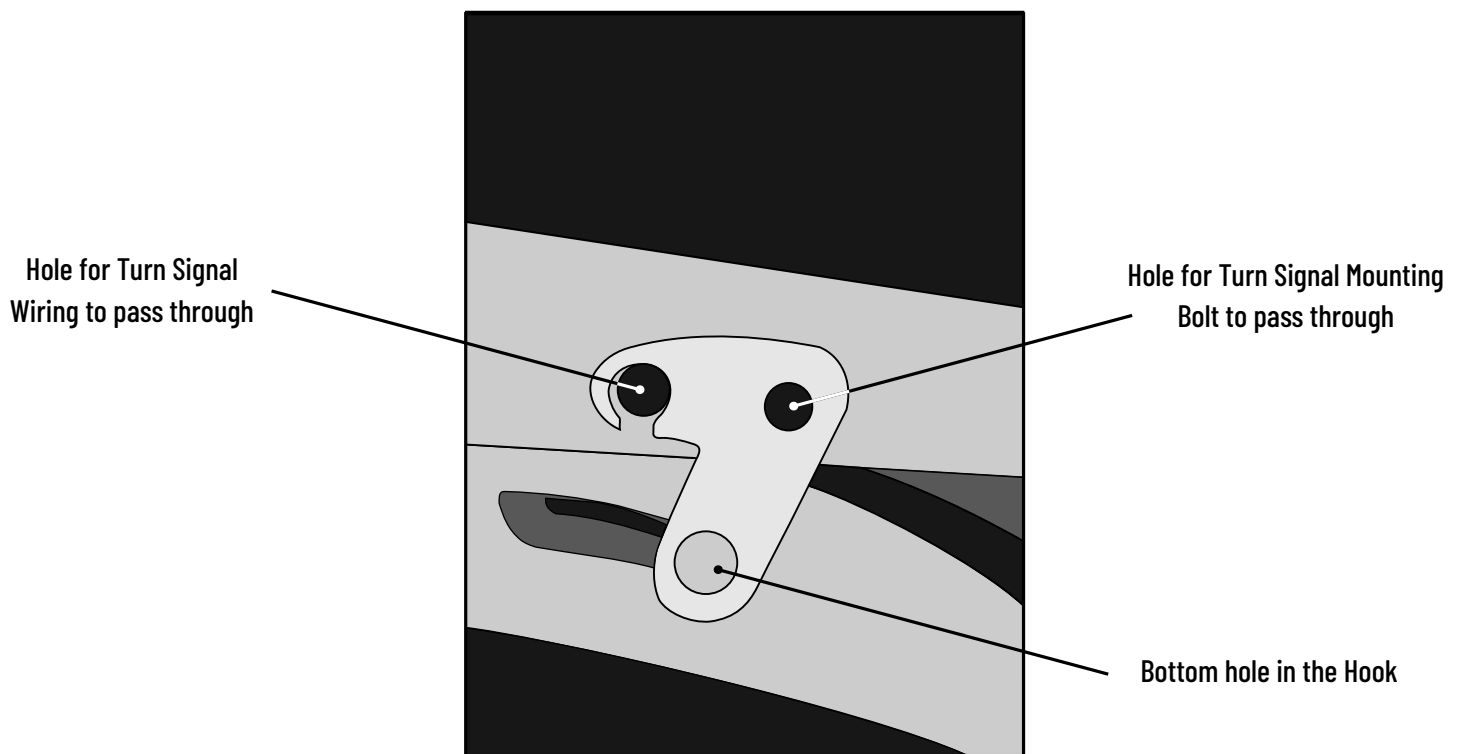


Fig A. Mounting Hook Placement on the left side

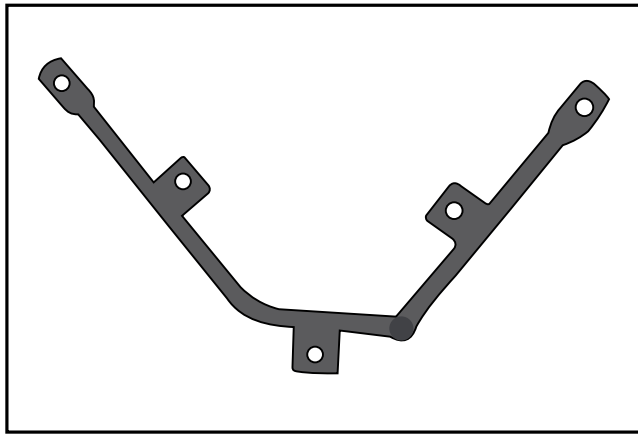


Fig B. Mounting Bracket

Step 2

Remove the front fender bolt and mount the bracket using the front fender bolt and the hole in the mounting hook as shown in **Fig C.**

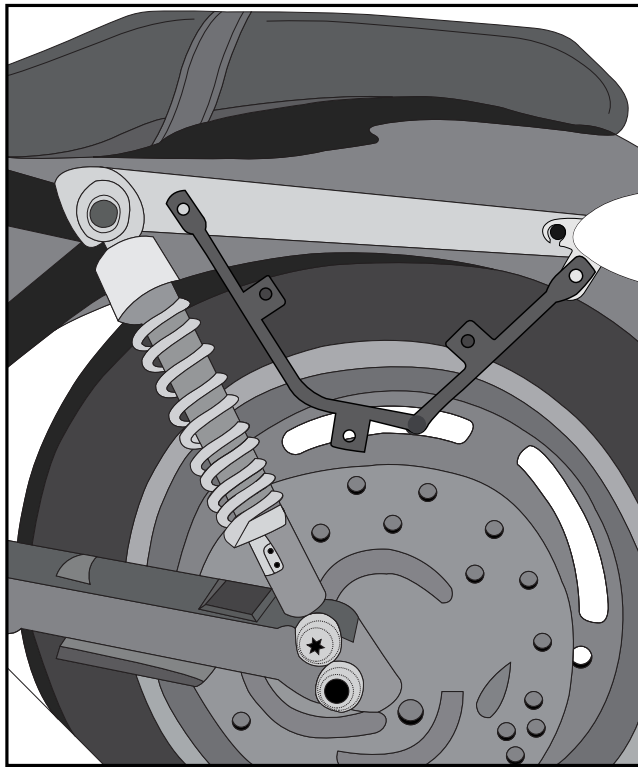


Fig C. Mounting Bracket Configuration

Step 3

Hold the bag against the bracket to figure out the position where you would like to mount your solo bag. Once in position, mark the points of the clamp holes on the back of the bag and drill at the marked points.

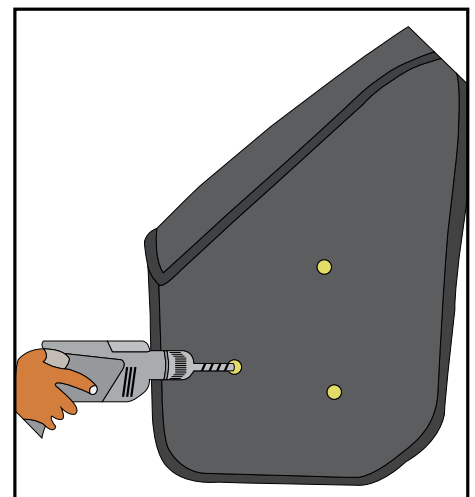


Fig D.

Step 5

Holding the bag against the bracket with holes aligned, one by one push the clamp bolts from inside the bag through the back of the bag and then through the clamp hole. Tighten the clamp bolts securely using the provided nuts and washers.

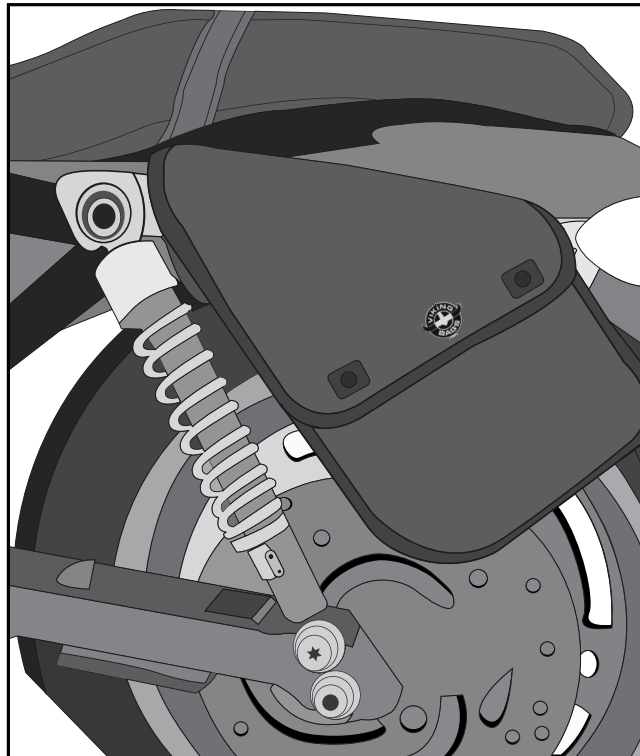


Fig E.

**Congratulations, your Viking Dyna Solo Bag
is installed and you are ready to ride!**

Warnings !

- Avoid usage of any mounting part that is impaired or is not working properly.
- If you are not sure about the installation of the saddlebags, do not use them.
- Sporadically check for shifting of the bag and verify that no part of the mounting system is interfering with any part of the motorcycle while riding. This includes the drive train, suspension, brakes or wheels.
- It is important to note that if you do not mount these bags properly damage may be caused to the bag(s) and/or motorcycle.
- If bags are securely installed, no part of the mounting system or bags should touch the motorcycle while in operation.
- In case you are unsure about your ability to mount the bag securely, please seek assistance from a qualified mechanic.