

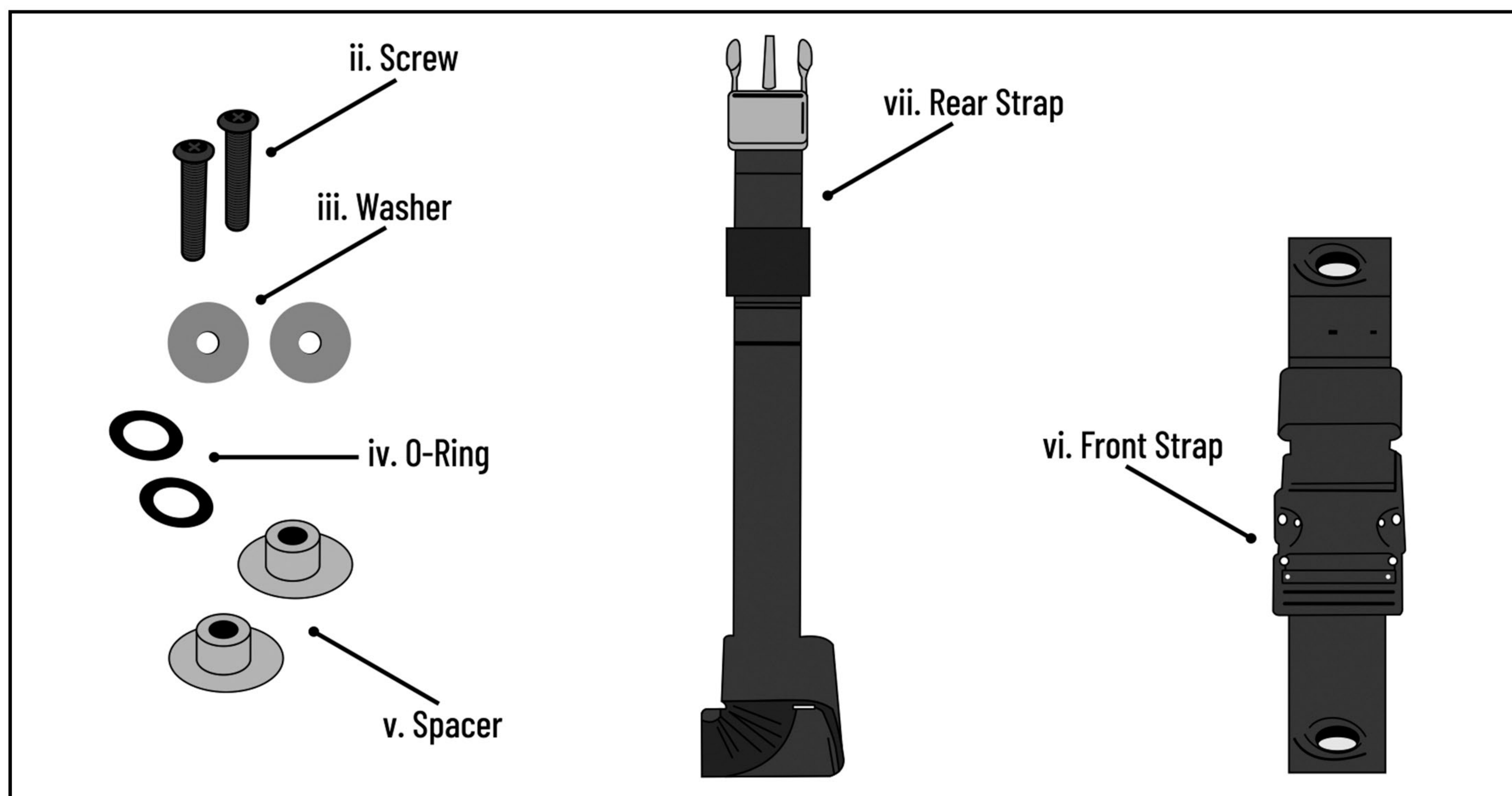
Viking Bags Seeker Pan America Tank Bag Installation Guide:



Parts:

i	Tank Bag	x1
ii	Screw	x2
iii	Washer	x2
iv	O Ring	x2
v	Spacer	x2
vi	Front Strap Set	x1
vii	Rear Strap	x1
viii	Rain Cover	x1

Parts Diagram:



Instructions:

Step 1:

Remove the motorcycle seat and OEM screws from the tank

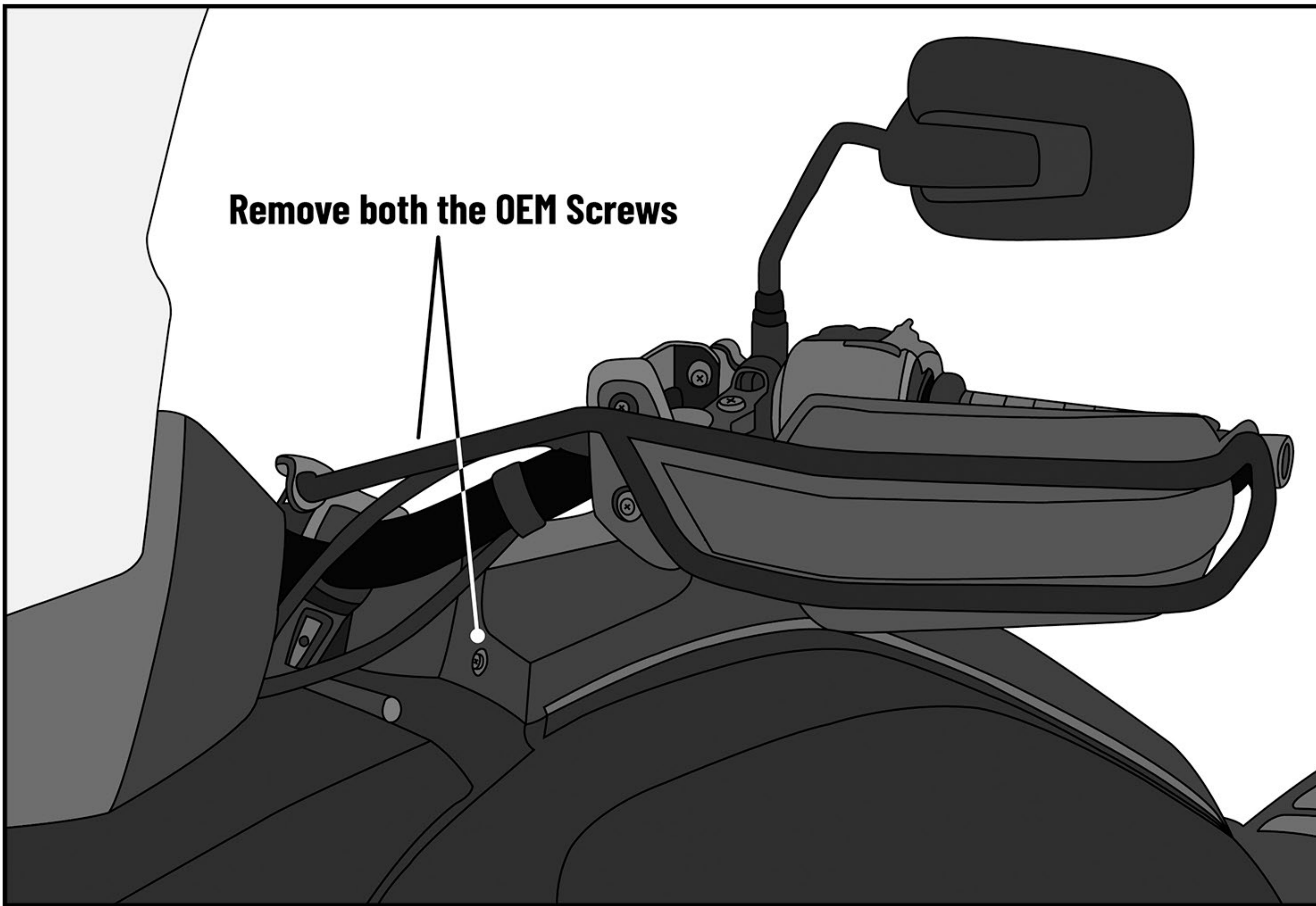


Fig 1. Removing OEM screws

Step 2:

Install the front strap set to the tank.

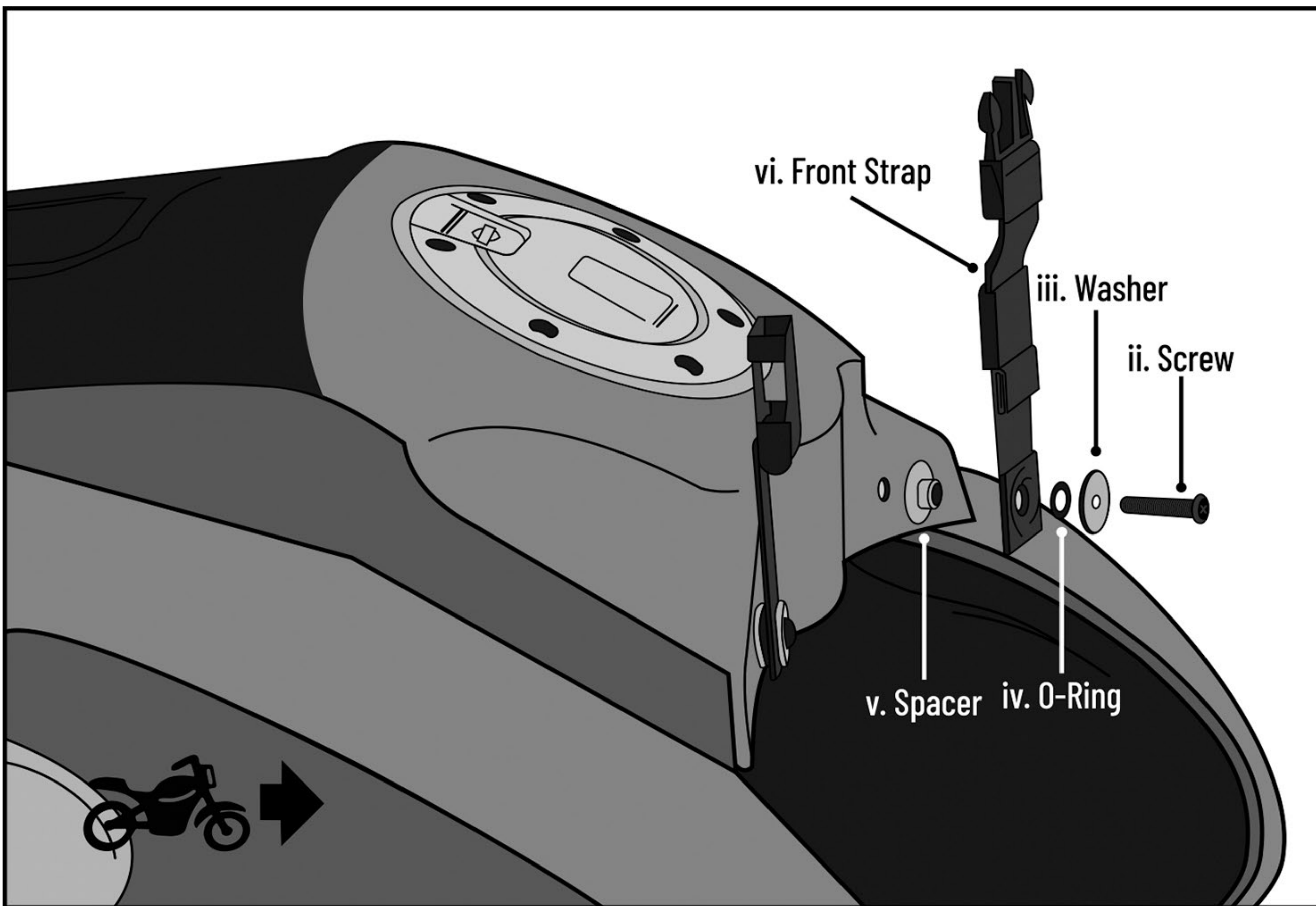


Fig 2. Front strap configuration

Step 3:

Install the rear strap.

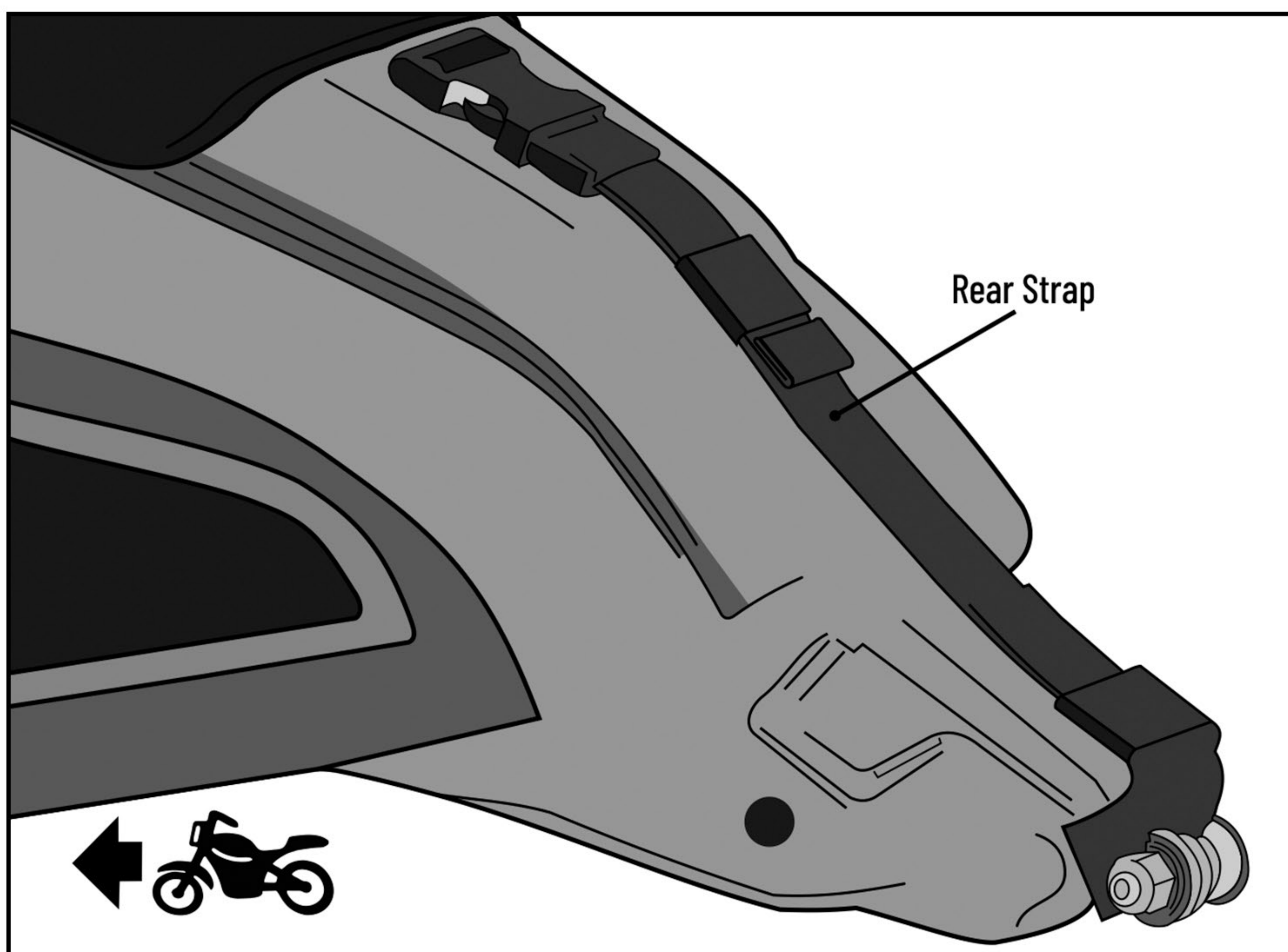


Fig 3. Installing the rear strap

Step 4:

Place the tank bag on the tank of the motorcycle and connect the buckles.

Step 5:

Pull the straps and make sure it is tightly secured.

**Congratulations, your Viking Seeker Tank Bag is installed
and now you are ready to ride!**

Warnings!

- Do not install if any of the mounting hardware is damaged or impaired.
- If you have any questions or concerns about the installation, call Viking Bags or consult your local mechanic.
- Ensure no part of the bag constructs any of the moving parts of the bike.
- Viking Bags is not liable for any damage or malfunctions caused to your motorcycle during the installation process.
- Improper loading can cause vehicle handling problems leading to death or severe injury.