



INSTALLATION INSTRUCTIONS

www.vikingbags.com

888-208-1949 | support@vikingbags.com

VIKINGBAGS SPORTSER PLAIN SOLO BAG INSTRUCTION

Parts

Mounting Straps x 2
Cross Member
Spacers (0.5 and 0.25 inches)
5/16 70mm Bolt
Washers x 2
Small bolt with nut

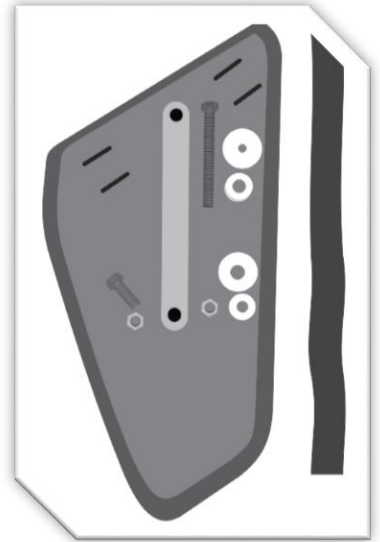


Fig (A)

Instructions

Step 1

Hold the bag against the fender so that the fender bolt aligns with the top center of the bag. Once in place, mark the position of the fender bolt on the back of the bag. Remove the fender bolt.



Fig (B)



INSTALLATION INSTRUCTIONS

www.vikingbags.com

888-208-1949 | support@vikingbags.com

Step 2

Place the cross member on the back of the bag such that its top hole aligns with the marked point on the back of the bag. Member should be placed so that it slants parallel to the slanted side of the bag as shown in the image. Mark the position of the bottom hole in the cross member.



Fig (C)

Step 3

Drill at the two marked points.

Step 4

Now place the cross member on the back of the bag (aligning its holes with the drilled holes). Using the bottom hole, bolt on the cross member to the back of the bag using the small bolt provided.

Step 5

From inside, slide each strap through each corresponding bottom cut in the back of the bag and run it around the fender strut so it forms a loop. Then slide the strap back in through the upper cut and buckle the strap loosely so bag hangs loosely from the fender strut.

Step 6

With bag hanging, pass the supplied 70mm bolt from inside of the bag out using a washer. Then pass it through the upper hole in the cross member, a 0.5-inch spacer and finally into the fender hole as shown in the image. Tighten the bolt.



INSTALLATION INSTRUCTIONS

www.vikingbags.com



888-208-1949 |



support@vikingbags.com

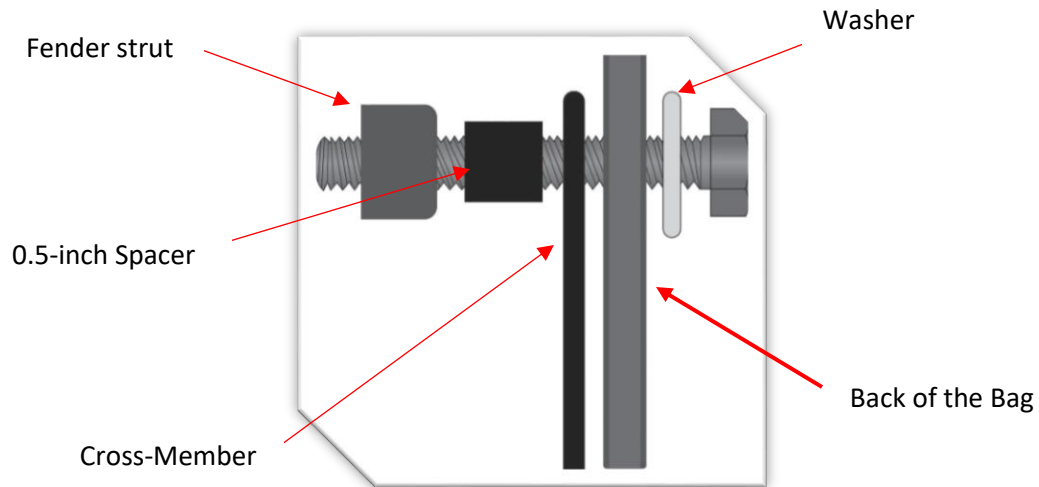


Fig (D)

Step 7

Tighten the straps and buckle them securely.

⚠ Warnings

- ✓ Avoid usage of any mounting part that is impaired or is not working properly.
- ✓ Sporadically check for shifting of the bag and verify that no part of the mounting system is interfering with any part of the motorcycle while riding. This includes the drive train, suspension, brakes and wheels.
- ✓ It is important to note that if you do not mount these saddlebags properly damage will be caused to the saddlebags and/or motorcycle. If bag is securely installed, no part of the mounting system or bags should touch the motorcycle while in operation.
- ✓ It is highly dangerous to operate a motorcycle if the saddlebags are not installed correctly. We suggest you find a motorcycle mechanic for further assistance in the event you have doubts about your abilities to install the product securely.