

Viking Patriot Throw Over Saddlebags:



Parts:

- i. Mounting Bracket x 4
- ii. L Shaped Mounting Bracket x 2
- iii. Patriot Throw Over Saddlebag x 2

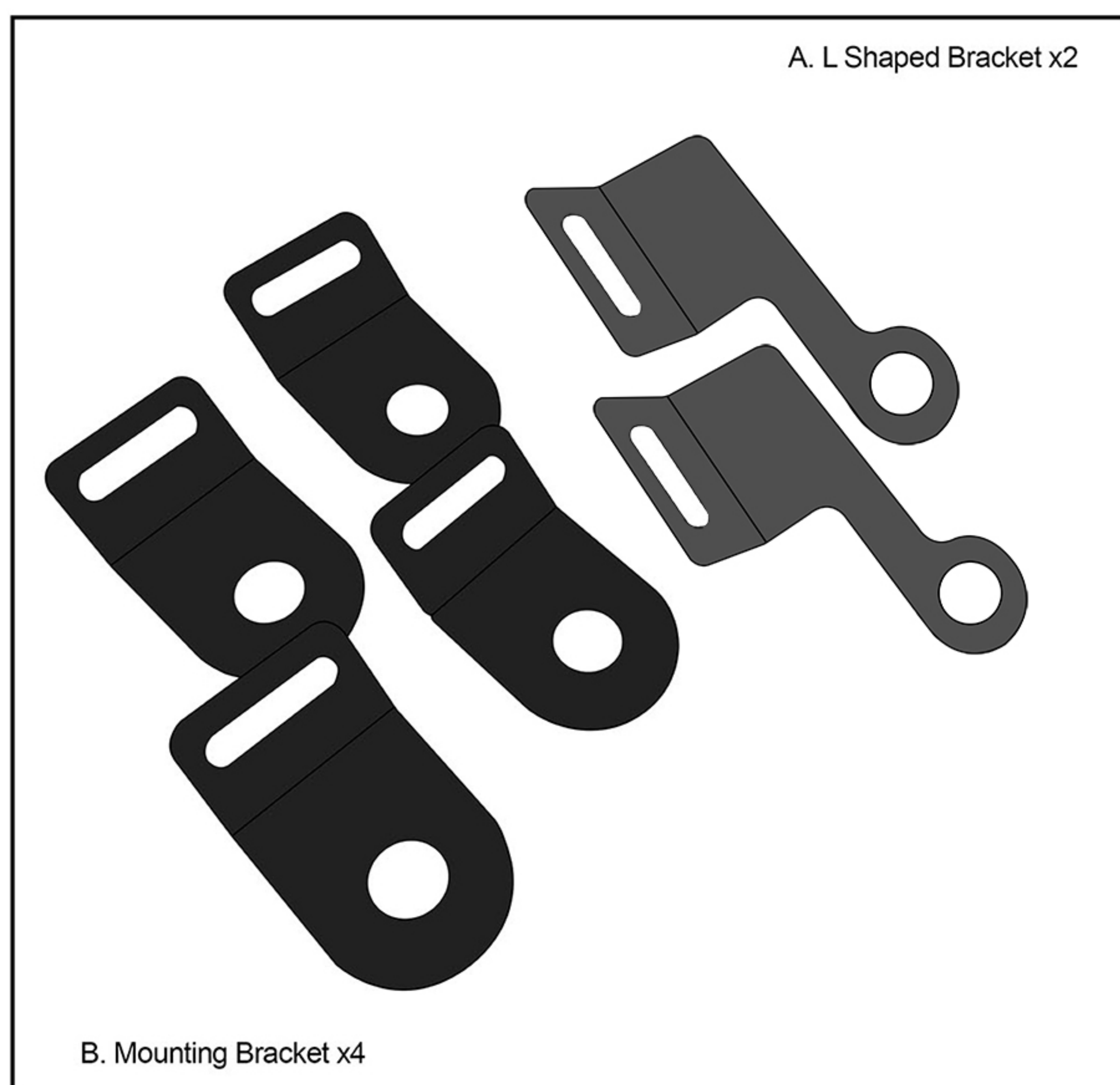
Note:

- i. Included hardware is intended for several different models. Some applications may not use all the included hardware.
- ii. With some modification, it may fit additional models than the ones stated.
- iii. If applicable use the provided brackets:
 - i. For (Softail, FXR, and Sportster) use 4 Mounting Brackets (B.)
 - ii. For (Dyna) use 2 L-shaped Bracket (A.) in the rear & 2 Mounting Bracket (B.) in the front

Instructions:

Step 1

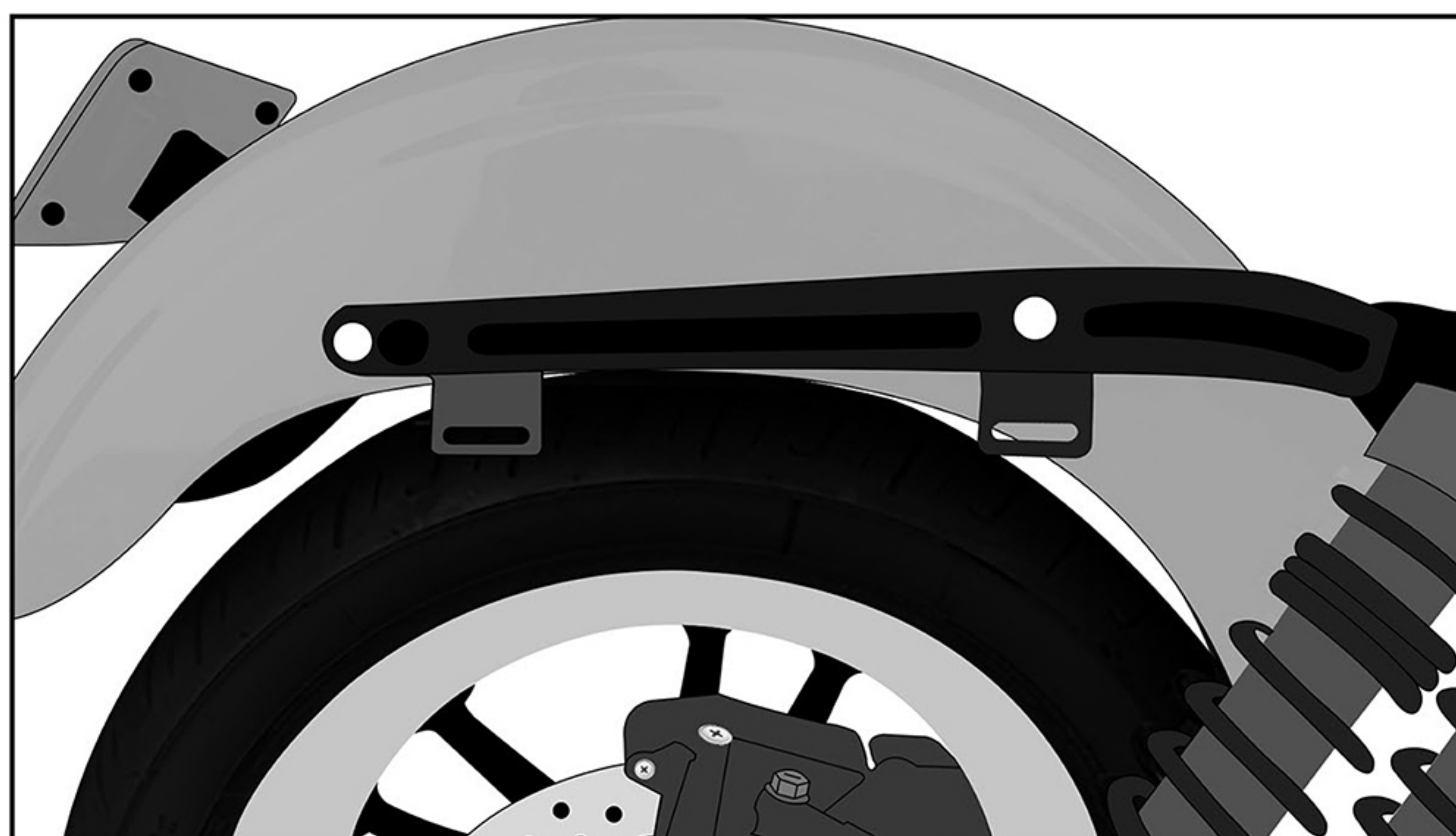
Remove your seat



(Parts Diagram)

Step 2

Install the brackets onto the rear fender.



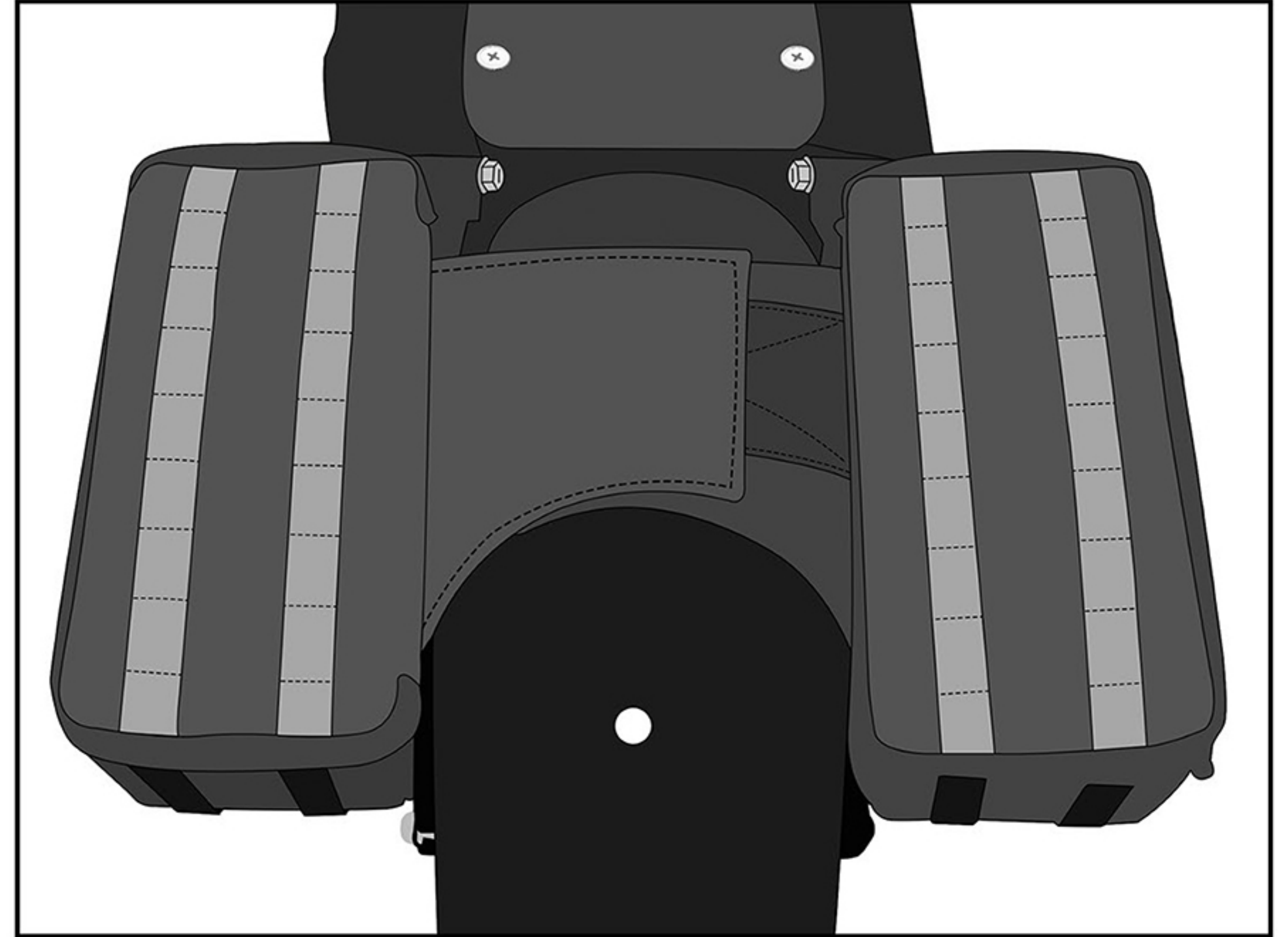
(Fig 1)

Step 3

Place the Viking Patriot Throw Over Saddlebags on top of the fender. Adjust the width of the saddlebags to meet your fender size and ensure that your bags sit level (see Fig 2.).

Step 4

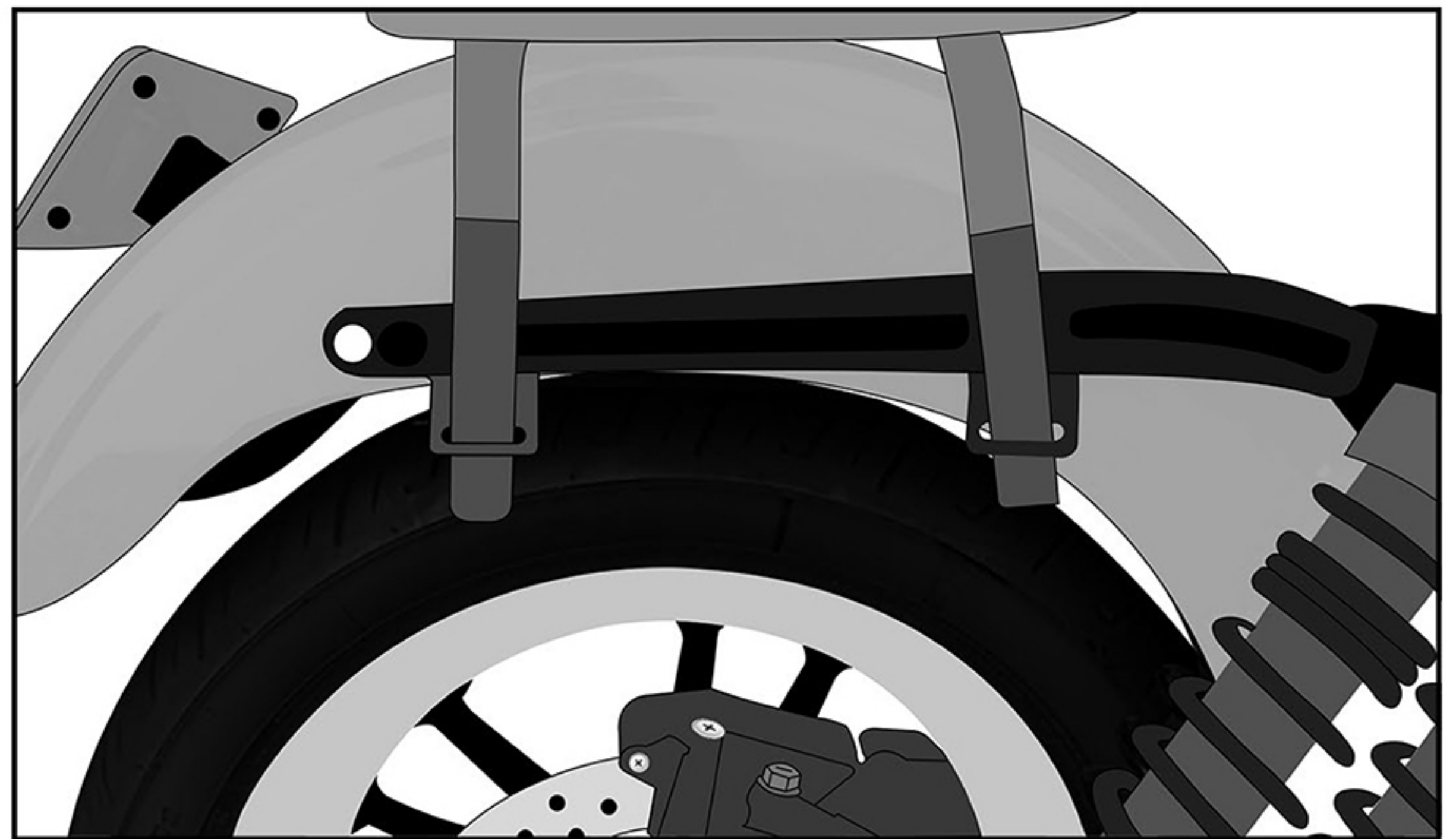
Use the velcro straps to loop them through the installed mounting brackets. (Fig 3.)



(Fig 2)

Step 5

Install back the seat and tighten the velcro straps attached to the bottom sides of the bags.



(Fig 3)

Congratulations, your Viking Patriot Throw Over Saddlebags are installed and you are ready to ride!

Warnings !

- Do not install if any of the mounting straps are damaged or impaired.
- If you have any questions or concerns about the installation, call Viking Bags or consult your local mechanic
- Ensure no part of the bag constructs any of the moving parts of the bike
- Viking Bags is not liable for any damage or malfunctions caused to your bike during the installation process