

Viking Patriot Saddlebag Hard Mount Bracket Installation Guide:



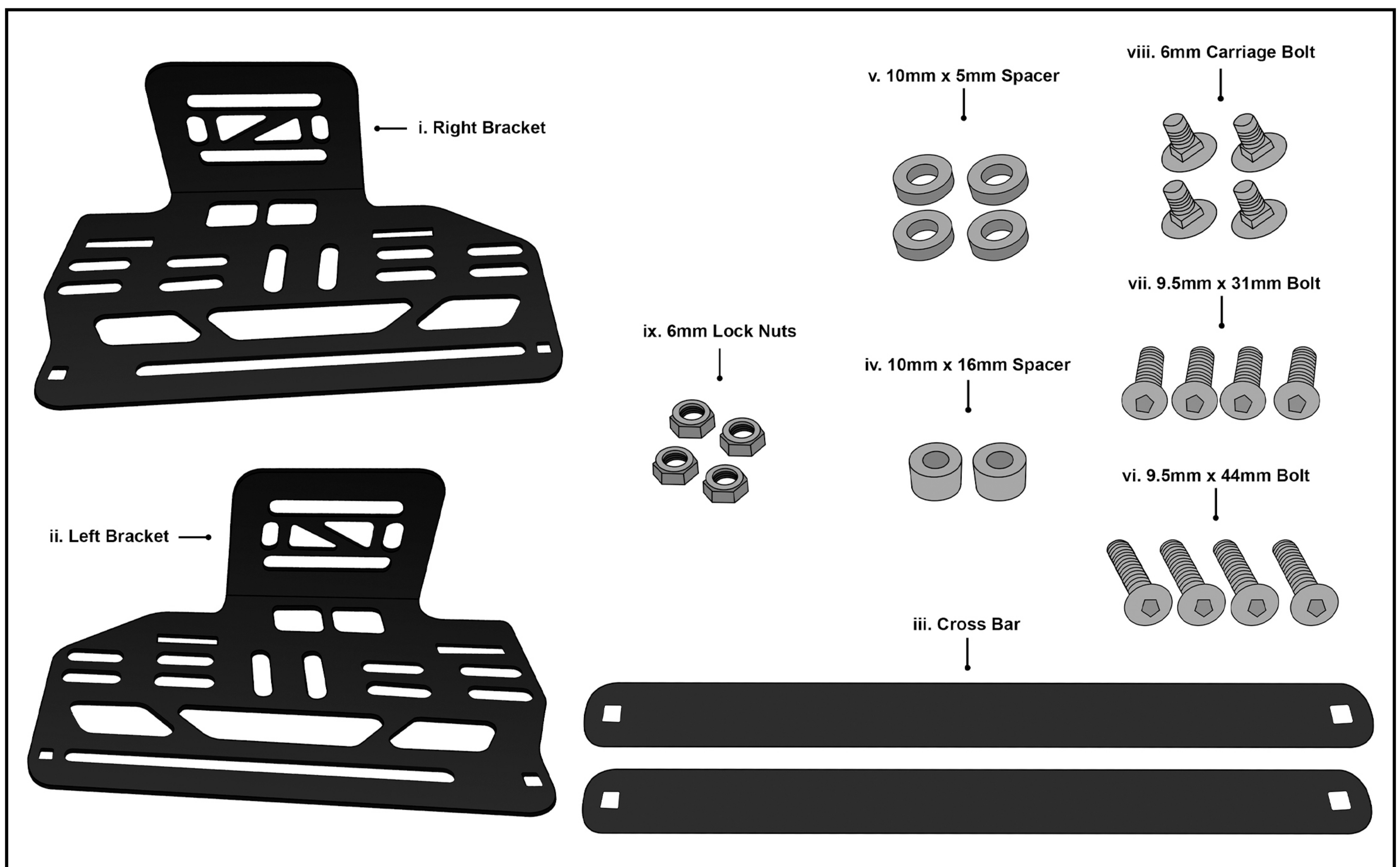
Parts:

i	Right Bracket	x1
ii	Left Bracket	x1
iii	Cross Bar	x2
iv	10mm x 16mm Spacer	x2
v	10mm x 5mm Spacer	x4
vi	9.5mm x 44mm Bolt	x4
vii	9.5mm x 31mm Bolt	x4
viii	6mm carriage Bolt	x4
ix	6mm Lock Nut	x4

Note:

- i We provide extra bolts, spacers, and washers to fit different models of motorcycles. You may not require all the provided hardware to complete the installation.

Parts Diagram:



Parts List

Installation:

Step 1:

Remove your OEM fender bolts.

Step 2:

Place the bracket against the fender and find a preferred height and position.

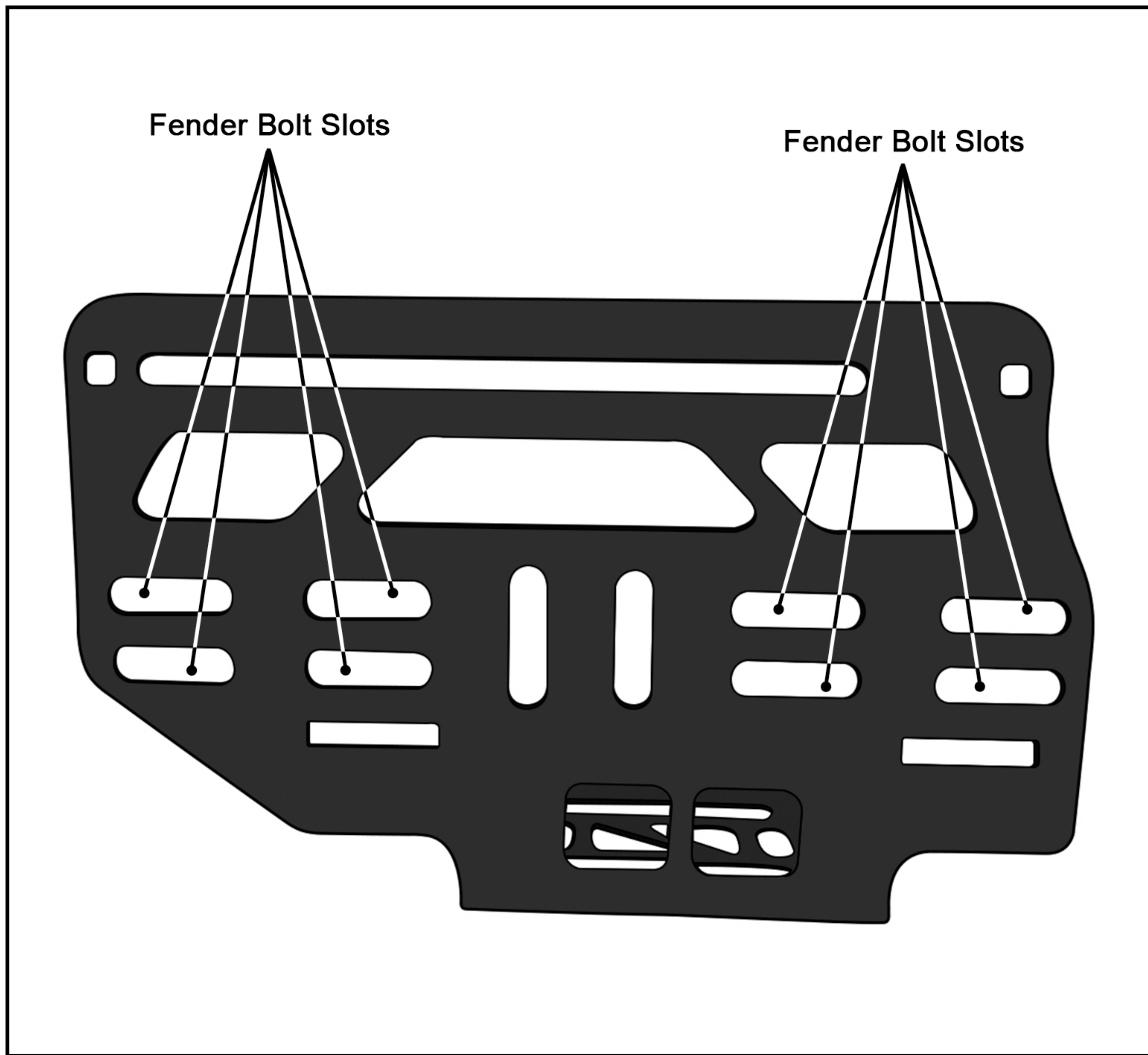


Fig 1. Right Mounting Bracket

Step 3:

After finding a suitable position, loosely reinstall back your OEM bolts. Wait to tighten fully.

Step 4:

The fender bolt slots are adjustable. Depending on your motorcycle's tail light position, slide the bracket back and forth until you have enough space for your bag.

Step 5:

Use locktie and finish tightening the bolts.

Step 6:

Now that the bracket is installed. Attach the bag to the bracket by weaving the throw over the yoke through the top slot. Fold the yoke and lay the bag down. See Fig 2.

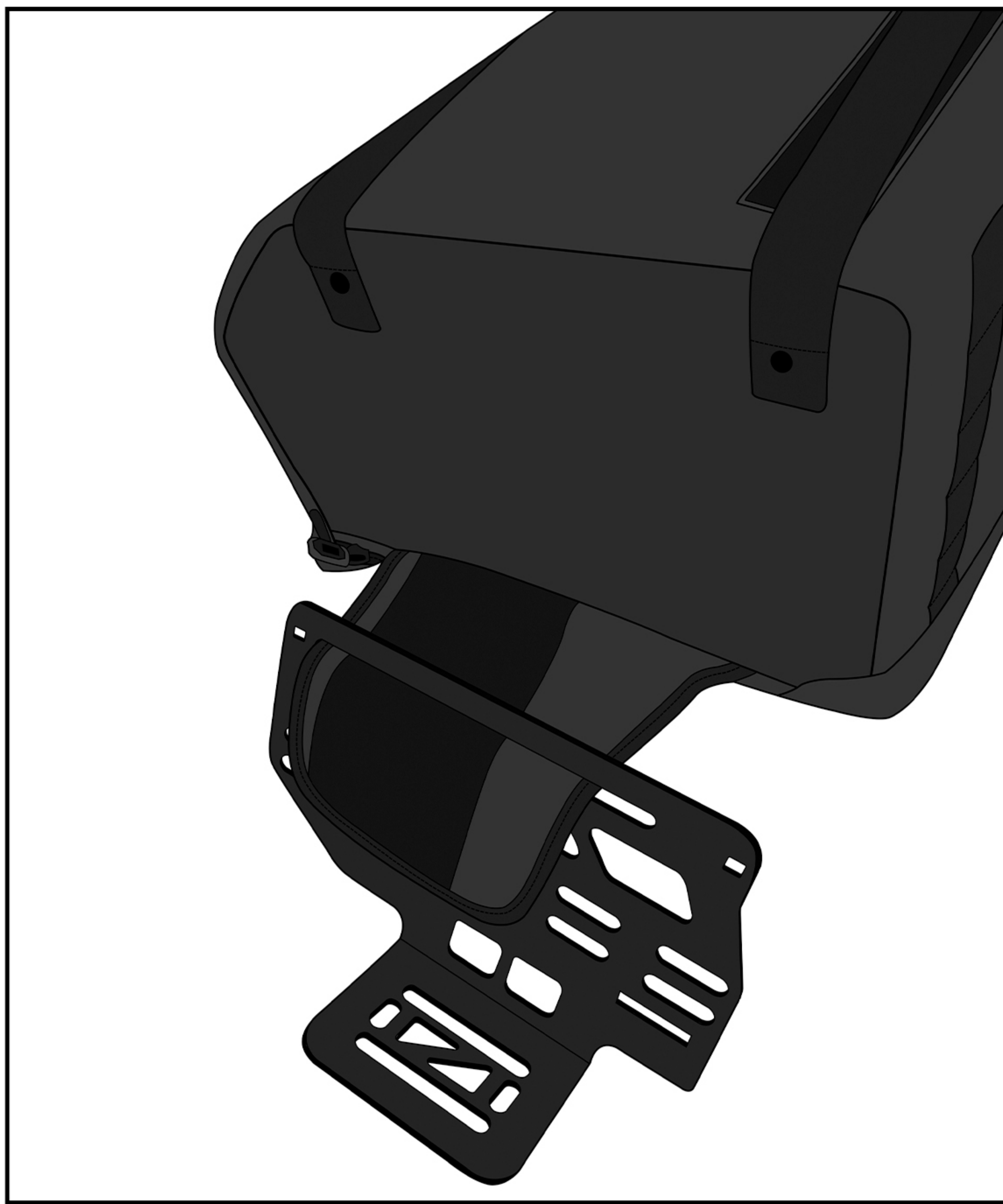


Fig 2. Weave the throw over yoke through the top slot

Step 7:

Use the crossbar (III.) included in the kit, to cinch the yoke and tighten using carriage bolt (VIII.) and lock nuts (IX.) See Fig 3.

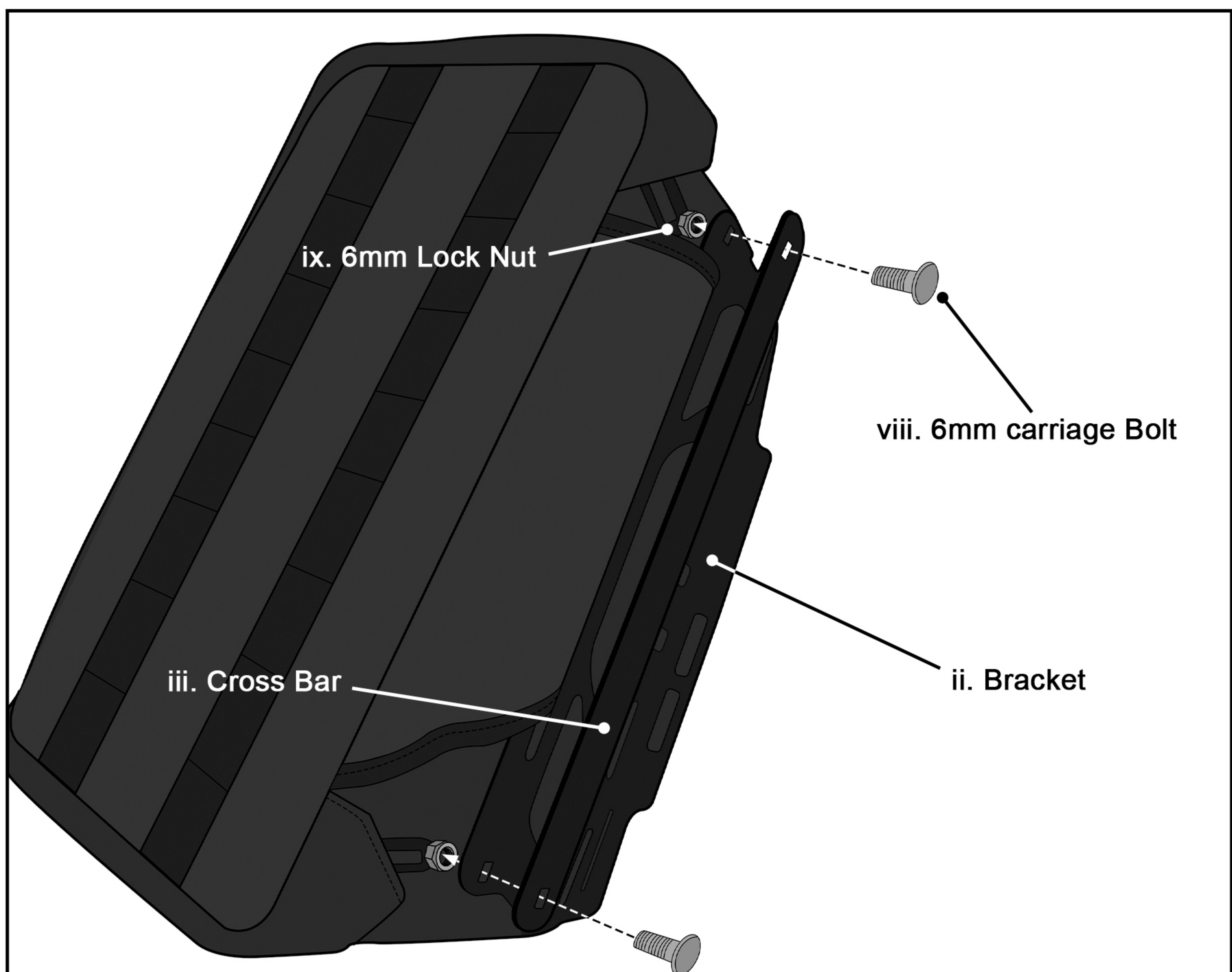


Fig 3. Cinch the yoke using crossbar

Step 8:

Finally, weave the two velcro straps at the bottom of the bag through the bottom slot of the bracket and secure your bag. See Fig 4.

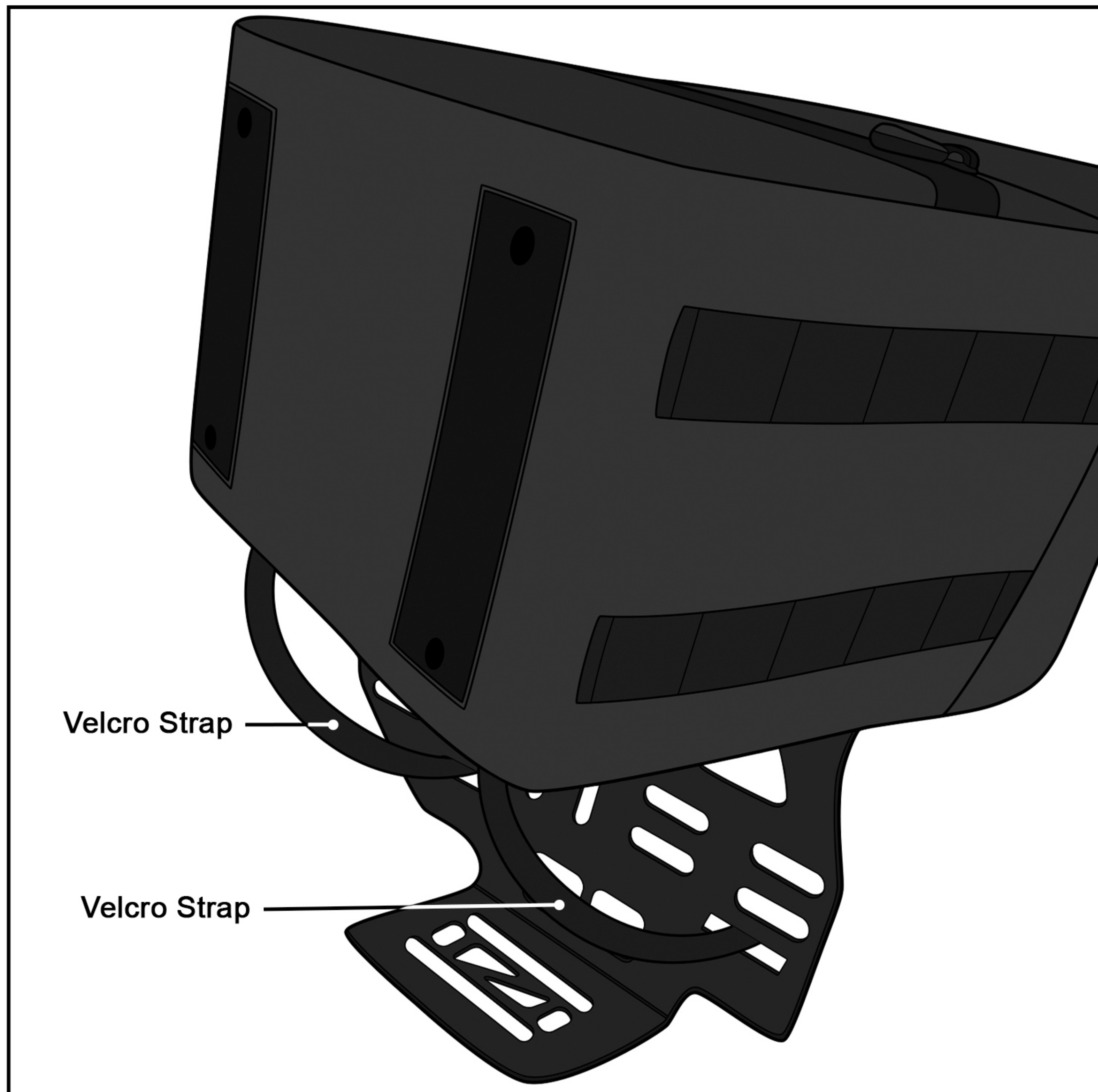


Fig 4. Weave the bottom two velcro straps through the bottom slots

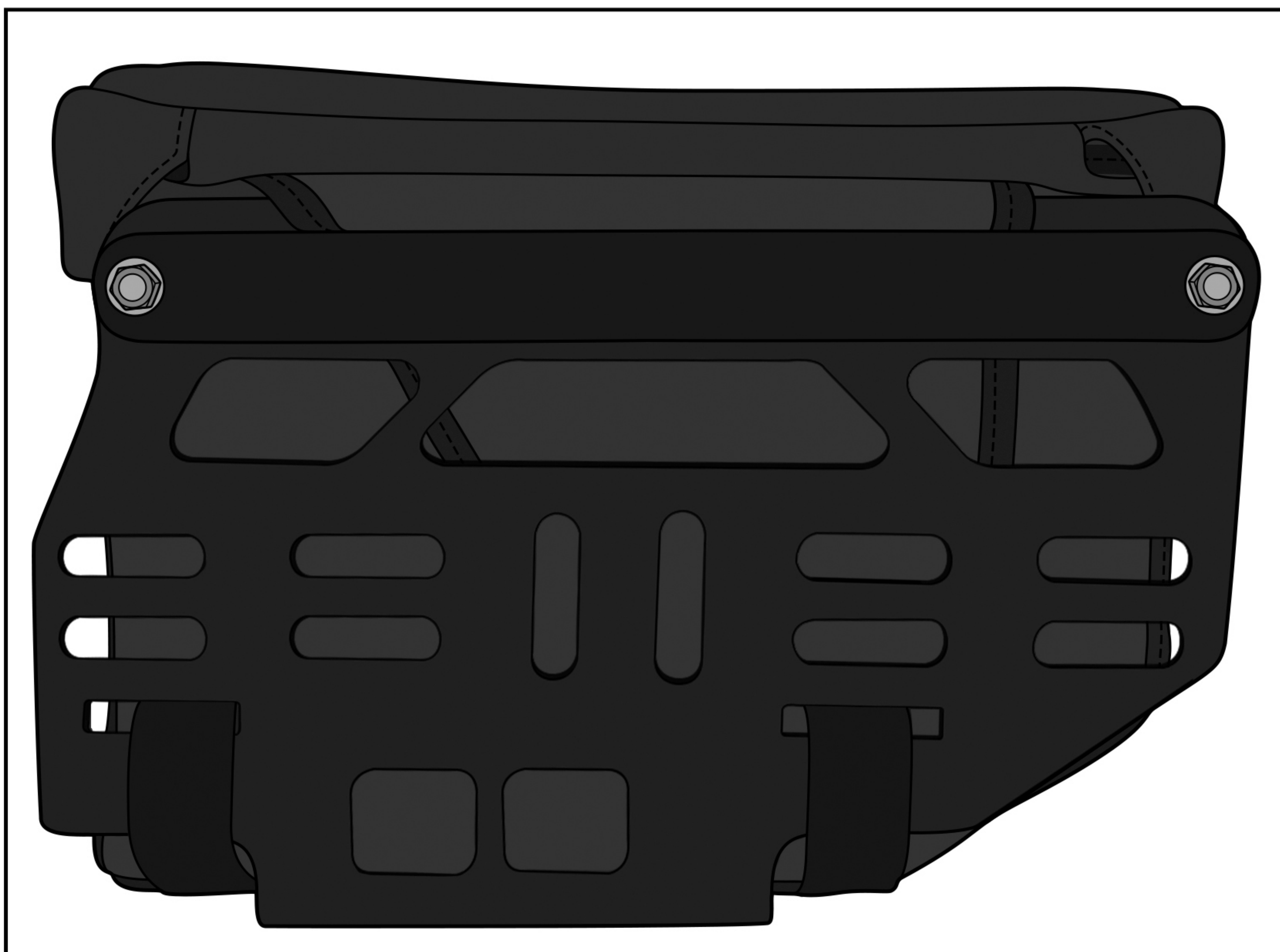


Fig 5. Final look.

Congratulations! Your Viking Patriot saddlebags are hard mounted and you are ready to ride.

Warnings!

- Do not install if any of the mounting hardware is damaged or impaired.
- If you have any questions or concerns about the installation, call Viking Bags or consult your local mechanic.
- Ensure no part of the bag constructs any of the moving parts of the bike.
- Viking Bags is not liable for any damage or malfunctions caused to your motorcycle during the installation process.
- Improper loading can cause vehicle handling problems leading to death or severe injury.
- Periodically check the bolts on your bike for tightness.