



# INSTALLATION INSTRUCTIONS

www.vikingbags.com

888-208-1949 | support@vikingbags.com

## VIKINGBAGS UNIVERSAL LARGE PLAIN SINGLE STRAP SADDLEBAGS FAT SPOOL INSTRUCTIONS

### Parts

Fat Bracket	x 4	8mm x 15mm Flip Head Bolts	x 4
Stainless Spools	x 4	8mm Washer	x 4
8mm Collar Nuts	x 4	10mm Washers	x 4

### Tools Required

Adjustable wrench  
 Drill  
 Screw driver

### Instructions

#### Step 1

Hold the bag against the fender to find out suitable bag position to mount the bags.



Fig (A)

#### Step 2

Once the bag is in your desired position, continue holding the bag there and mark the fender bolt positions on the back of the bag. These points will be used to mount the bag.



Fig (B)

#### Step 3

With the bag laying on the floor, place the fat bracket on the back of the bag such that the upper most hole in the bracket is aligned with the marked point on the back of the bag and the bottom of the bracket is parallel to the bottom of the bag. With bracket in position, mark the position of the bottom most hole in the bracket. Repeat the same process for the second marked point.



Fig (C)

#### Step 4

Drill the marked points so that corresponding bolts can pass through.



Fig (D)



# INSTALLATION INSTRUCTIONS

www.vikingbags.com



888-208-1949 |



support@vikingbags.com

## **Step 5**

Using washers, push a Hex Head Bolt (long) from inside the bag through each of the two upper holes, through the holes in fat bracket and then through the spools. The flat side of the fat bracket should be towards the back of the bag. The thinner cylindrical end of the spool should go into the hole in the fender of the bike with the flat (wider) side protruding out for the fat bracket to rest against.

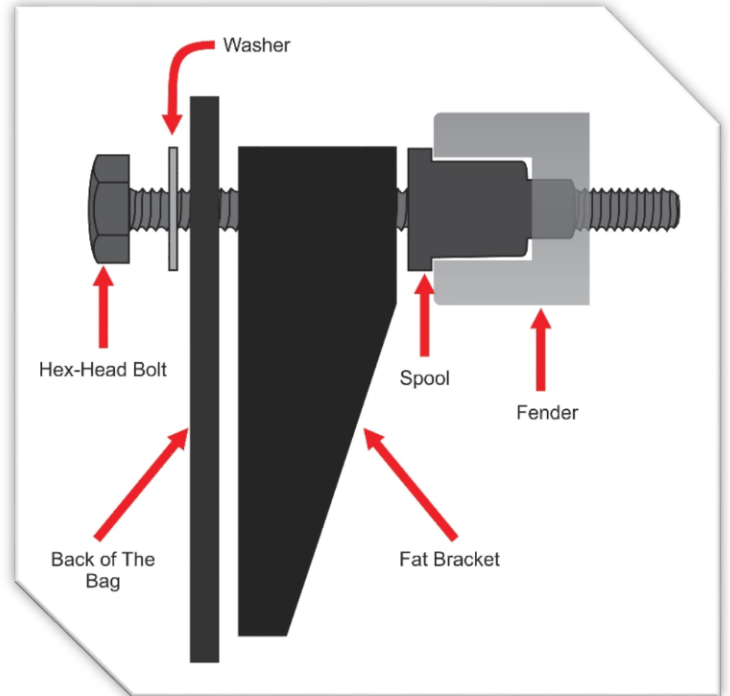


Fig (E)

## **Step 6**

With the brackets in position, push a smaller bolt (using washers) through each of the two lower holes in the back of the bag and then through the bottom holes of both brackets. Tighten the small bottom bolts using the provided nuts.

## **Step 7**

Now place the saddlebags against the fender and push the Hex Head Bolts into the fender holes and tighten. Your bags are now mounted and ready for a ride



Fig (F)

## **Note**

In case the bolts are too long and there is a risk that they may hit the tire, pass the Upper Hex Head Bolts through a spacer first before passing them through the back of the bag and the bracket.

## **Warnings**

- ✓ Avoid usage of any mounting part that is impaired or is not working properly.
- ✓ Sporadically check for shifting of the bag and verify that no part of the mounting system is interfering with any part of the motorcycle while riding. This includes the drive train, suspension, brakes or wheels.
- ✓ It is important to note that if you do not mount these saddlebags properly damage may be caused to the saddlebags and/or motorcycle.
- ✓ If bags are securely installed, no part of the mounting system or bags should touch the motorcycle while in operation.
- ✓ Do not attempt to use these saddlebags if the mounting instructions are unclear. It is important that you seek professional assistance from a qualified mechanic or dealer.