



INSTALLATION INSTRUCTIONS

www.vikingbags.com



888-208-1949 |



support@vikingbags.com

VIKINGBAGS ODIN LARGE LEATHER SADDLEBAGS HARD MOUNT INSTRUCTIONS

Parts List

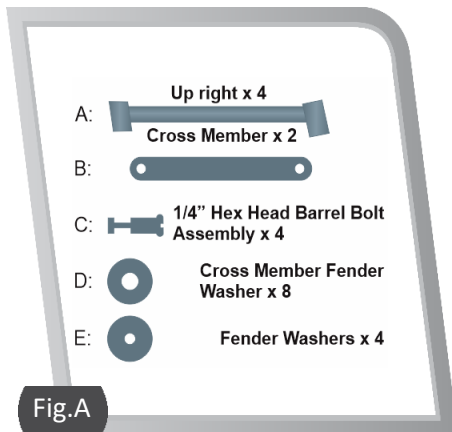
- Parts List (by Vikings)
1. Set of Saddlebags
 2. Installation Instruction
 3. Mounting Hardware
(See Fig.A)

Tools Needed

1. Adjustment Wrench
2. Flathead Screwdriver
3. Color Marker
4. Power Drill with 3/8-inch drill bit

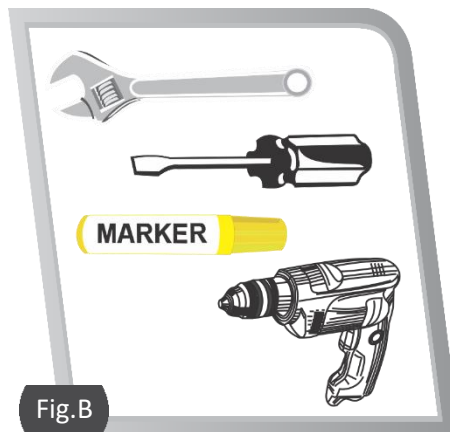
Step 1

Ask the helper to hold the bag in several positions so that you can determine the desired position of the bag on your bike. Once you find the right position ask the helper to press the back of the bag against the bolts on the fender struts.



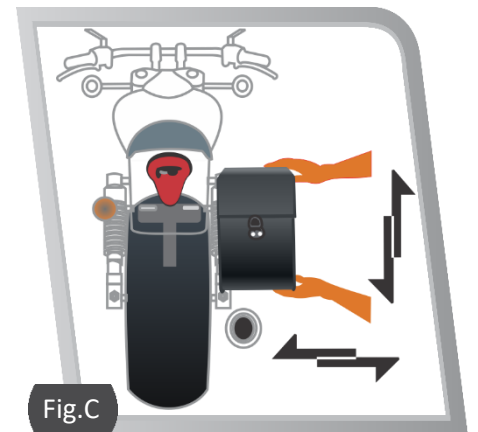
Step 2

Use a marker or paint to mark the position of the fender bolts onto the back of the bag.



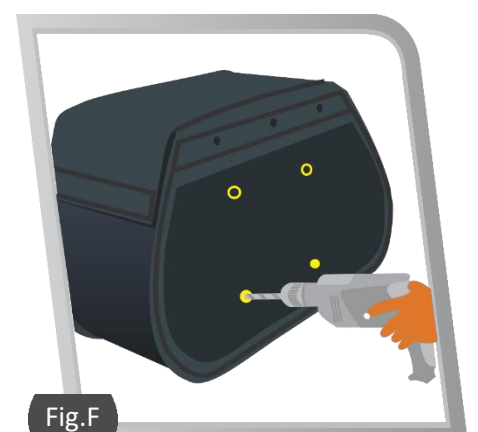
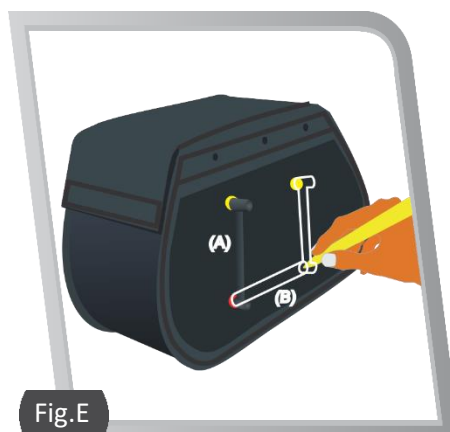
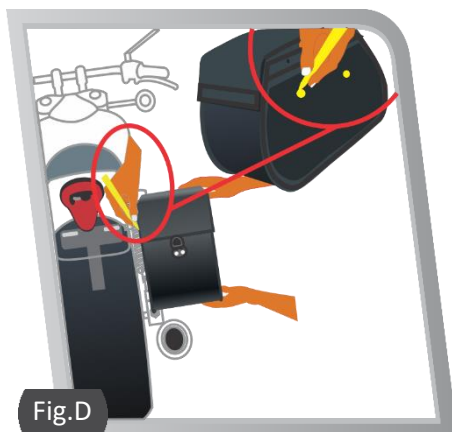
Step 3

Place the longer end of upright on the marker spots in order to determine the placement of the lower two holes and the cross member (see Fig.E) part B.



Step 4

Drill all 4 marked points using a 3/8-inch drill bit.





INSTALLATION INSTRUCTIONS

www.vikingbags.com



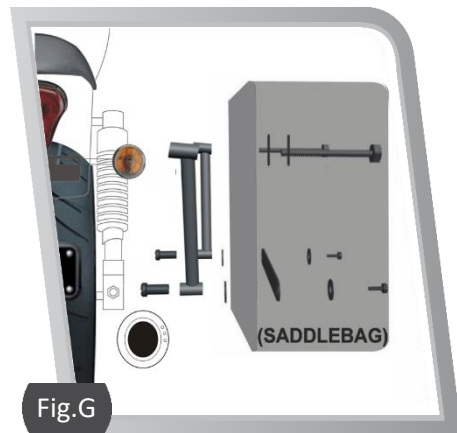
888-208-1949 |



support@vikingbags.com

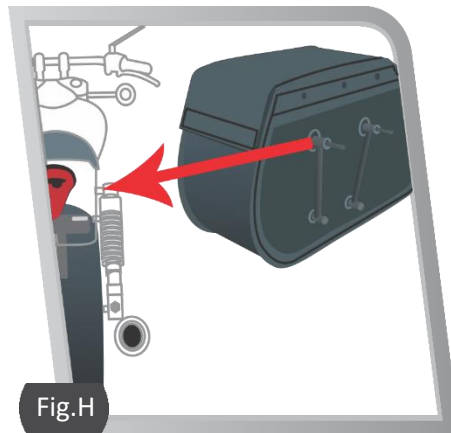
Step 5

Fig. G Shows how to permanently attach the mounting bracket on the back of the bag. Please make sure the part remains inside the bag whereas part are sandwiched between the back of the bag and the motorcycle.



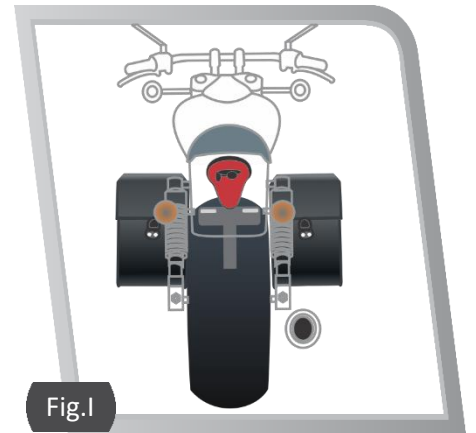
Step 6

By now you should have the bracket permanently attached to the back of the bag and it should resemble Fig H



Step 7

Repeat the same process in order to install the other saddlebag. It is highly recommended to use tip number 1. Tips are provided below.



Tips

1. In order to ensure that both bags have identical holes' place bag with drilled holes and yet to be drilled perfectly back to back at a horizontally platform and mark the position of holes on the bags from inside the drilled bag.

2. Now access the drilling bag from inside and mark the four holes on the second bag.

Warnings

Avoid usage of the any mounting part that is impaired or is not working properly. If you are not secure about the installation of the saddlebags, do not use them.

It is important to note that if you do not mount these saddlebags properly damage will be caused to the saddlebags and/or motorcycle. If bag are securely installed, no part of the mounting system or bags should touch the motorcycle while in operation.

Sporadically check for shifting of the bag and verify that no part of the mounting system is interfering with any part of the motorcycle while riding. This includes the drive train, suspension, brakes or wheels.

Don not attempt to use these saddlebags if the mounting instructions are unclear. It is important that you seek professional assistance from a qualified mechanic or dealer.

It is highly dangerous to operate a motorcycle if the saddlebags are not installed correctly. We suggest you find a motorcycle mechanic for further assistance in the event you have doubts about your abilities to install the product securely.