



INSTALLATION INSTRUCTIONS

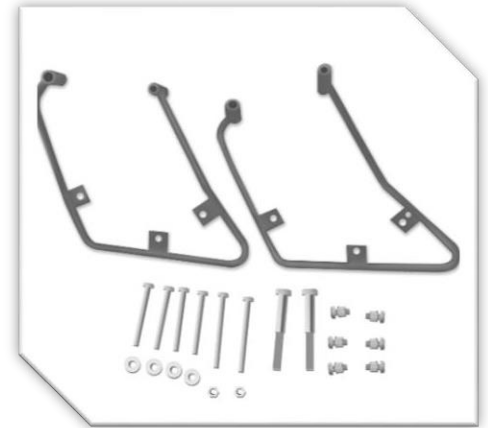
www.vikingbags.com

888-208-1949 | support@vikingbags.com

VIKING MILITARY LEATHER MOTORCYCLE SADDLEBAGS FOR HD SPORSTERS

Parts

- Saddlebags (2)
- Hex Head Screw 2-7/8 in (73mm) (2)
- Hex Head Screw 2-3/4 in (80mm) (2)
- Saddlebag supports (2)
- Hex Head Screw 1/2-13 x 3-1/2 (2)
- Spacer 1/8 in. (2)
- Clamp bolts with nuts and washers (6)



Instructions

Step 1

Remove the top shock Bolt, washer and shock absorber cover. Discard the bolt.

Step 2

Remove the front fender bolt and nut from the fender support cover.

Step 3

Hold the support bracket against the bike such that the front mounting hole aligns with the shock absorber stud and the rear mounting hole aligns with the front fender hole (where you removed the fender bolt).

Step 4

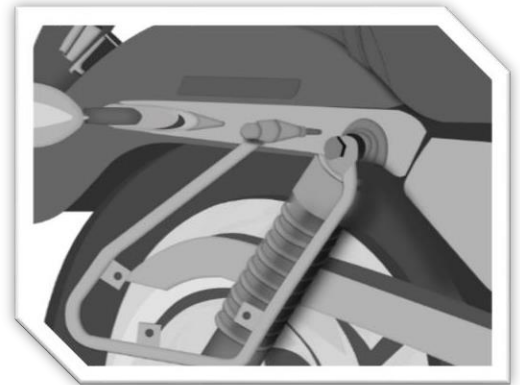
Install the bracket by securing the rear hole in the bracket. For 2000-2003 models, use the Hex Head Screw 2-78 in. long bolt. For 2004 and later models, use the 2-3/4 in long bolt.

Step 5

Secure the front saddlebag support using the provided 1/2 -13 Hex Head Screw. The Hex Head Screw must pass through the bracket hole, washer retained when removing O.E.M Shock Bolt, and shock absorber cover. Tighten to about 65 N-m.

Step 6

Repeat the process for the opposite side.





INSTALLATION INSTRUCTIONS

www.vikingbags.com

☎ 888-208-1949 | ✉ support@vikingbags.com

Mounting the saddle bags

Step 1

Hold the left bag against the bracket such that the bag aligns with the bracket.

Step 2

Once you are happy with the bag position, Mark the back of the bag through the 3 ear holes in the bracket. Mark the opposite side bag in the same exact position.

Step 3

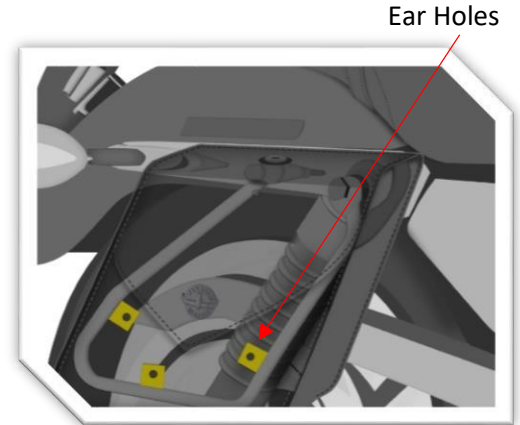
Drill the 3 holes using a 3/8-inch drill bit.

Step 4

Insert a clamp bolt from the back through the bracket ear, the drilled hole and finally through the washer. Use the provided nut to tighten the bolt. Repeat for the other 2 drilled holes.

Step 5

Repeat the process for the other side.



Warnings

- ✓ Avoid usage of any mounting part that is impaired or is not working properly.
- ✓ Periodically check for shifting of the bag and verify that no part of the mounting system is interfering with any part of the motorcycle while riding. This includes the drive train, suspension, brakes or wheels.
- ✓ It is important to note that if you do not mount these saddlebags properly damage may be caused to the saddlebags and/or motorcycle.
- ✓ If bags are securely installed, no part of the mounting system or bags should touch any moving part of the motorcycle while in operation.
- ✓ Do not attempt to use these saddlebags if the mounting instructions are unclear. It is important that you seek professional assistance from a qualified mechanic or dealer.
- ✓ Viking bags is not responsible for any damage or injury caused by improper installation or lack of maintenance.