

# Installation Instructions for Harley Softail Loki Saddlebags:



## Parts:

i	Saddlebags	x2
ii	Bolts	x4
iii	Spacers	x4
iv	Washers	x8

## Tools Required:

i	Adjustable Wrench
ii	Drill
iii	Screw Driver

## Instructions:

### Step 1:

Remove your fender bolts.

### Step 2:

Hold the bag against the fender to find a suitable position to mount the bags. (Fig 1.)

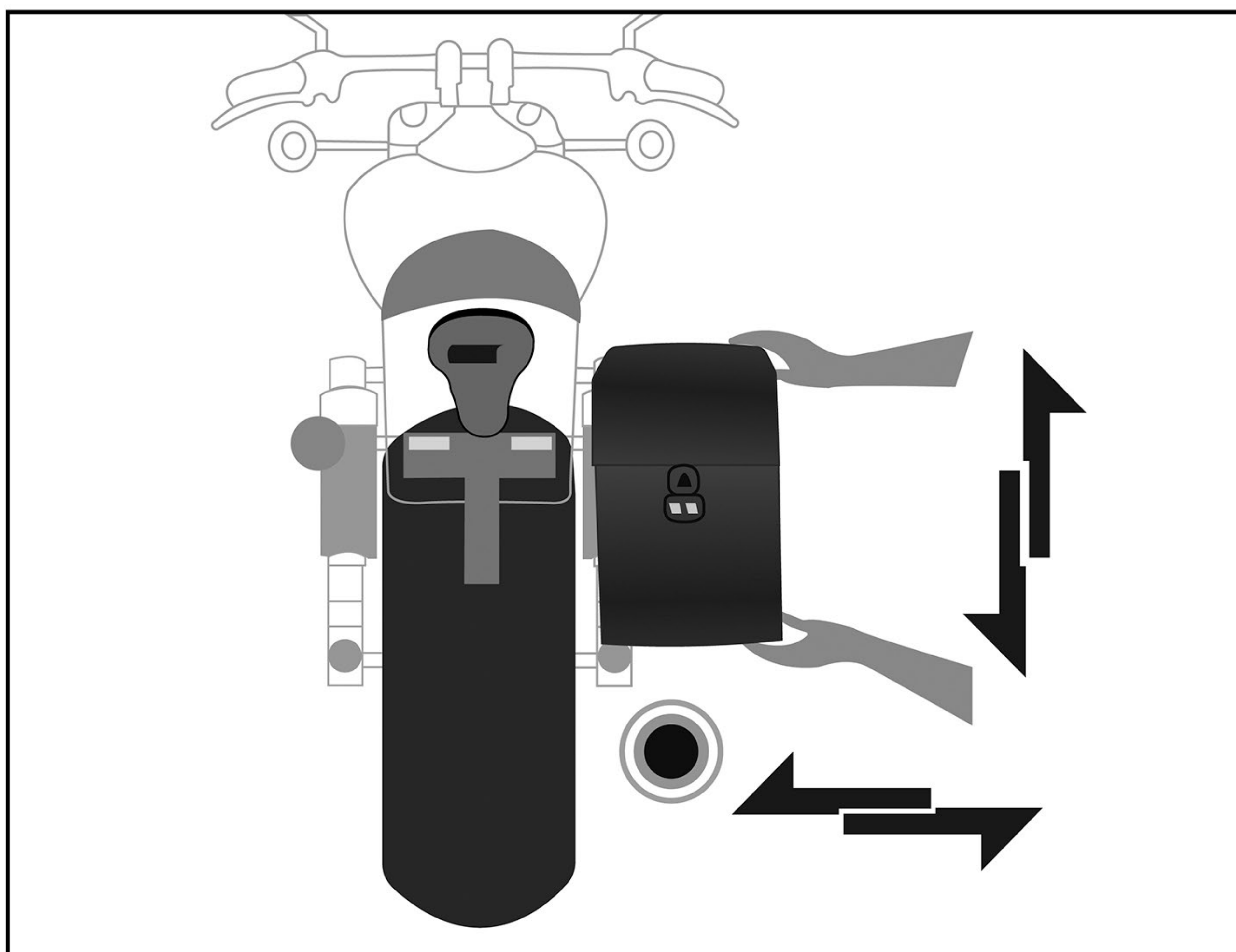


Fig 1. Holding the bag to find a suitable position to mount

### Step 3:

Once the bag is in your desired position, continue holding the bag in that position and mark the fender bolt positions on the back of the bag. These points will be used to mount the bag.

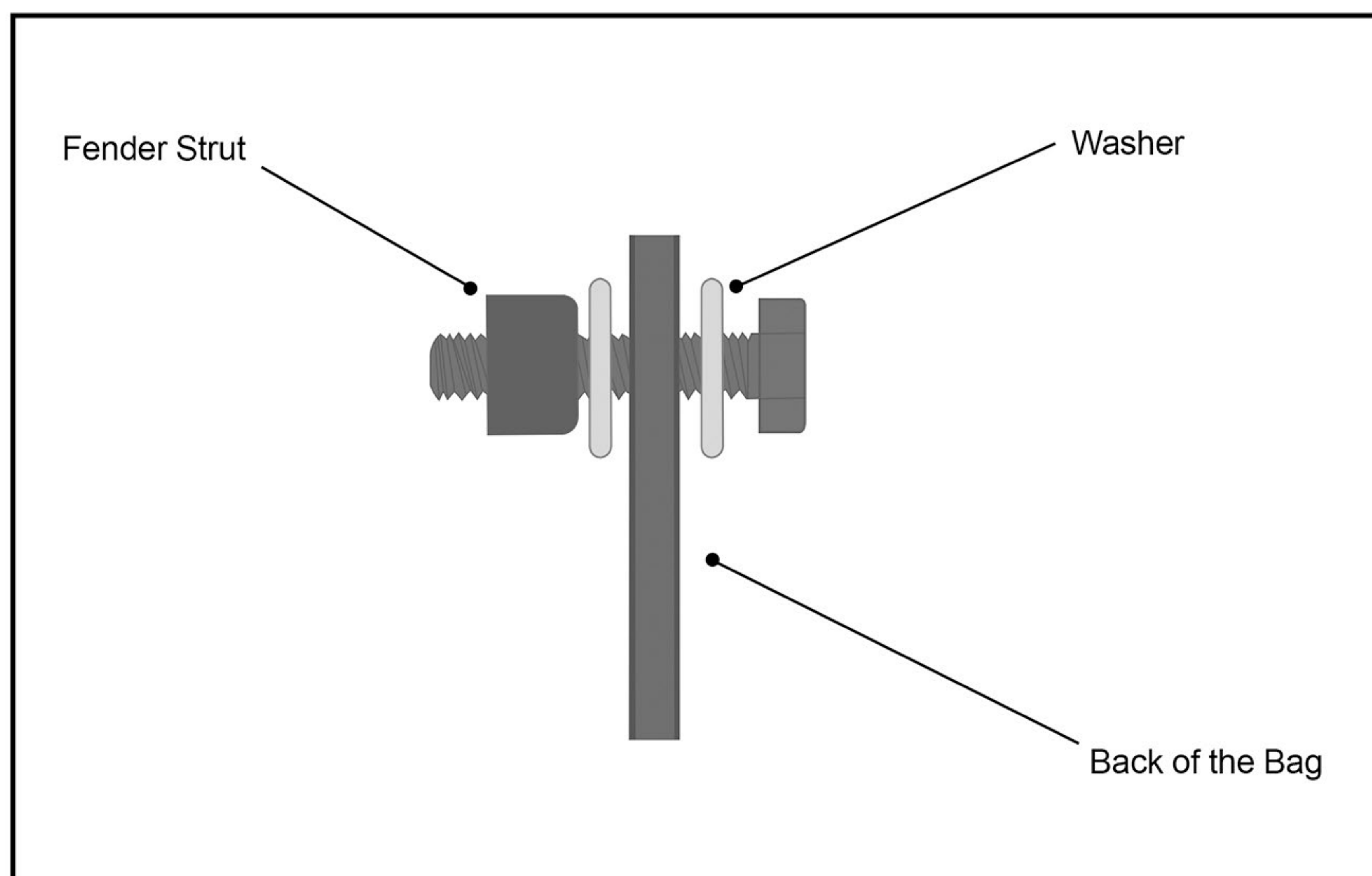


## Step 4:

Drill the marked points so that corresponding bolts can pass through.

## Step 5:

From inside, pass the provided bolt through a washer, then through one of the holes in the back of the bag, then through another washer, and finally through a provided spacer. Repeat for the other hole. (Fig 2.)



**Fig 2. Configuration of the mounting bolt**

## Step 6:

With bolts protruding out from the back of the bag, insert the bolts into the two fender holes (where you removed the fender bolts), and tighten.

## Step 7:

Repeat the process for the other side, ensuring all bolts are tight and bag is secured against the fender.

## Warnings!

- Avoid usage of any mounting part that is impaired or is not working properly.
- Sporadically check for shifting of the bag and verify that no part of the mounting system is interfering with any part of the motorcycle while riding. This includes the drive train, suspension, brakes, and wheels.
- It is important to note that if you do not mount these saddlebags properly damage will be caused to the saddlebags and/or motorcycle. If the bag is securely installed, no part of the mounting system or bags should touch the motorcycle while in operation.
- It is highly dangerous to operate a motorcycle if the saddlebags are not installed correctly. We suggest you find a motorcycle mechanic for further assistance in the event you have doubts about your ability to install the product securely.
- Viking Bags is not responsible for any damage or injury caused due to improper mounting of the bag.