

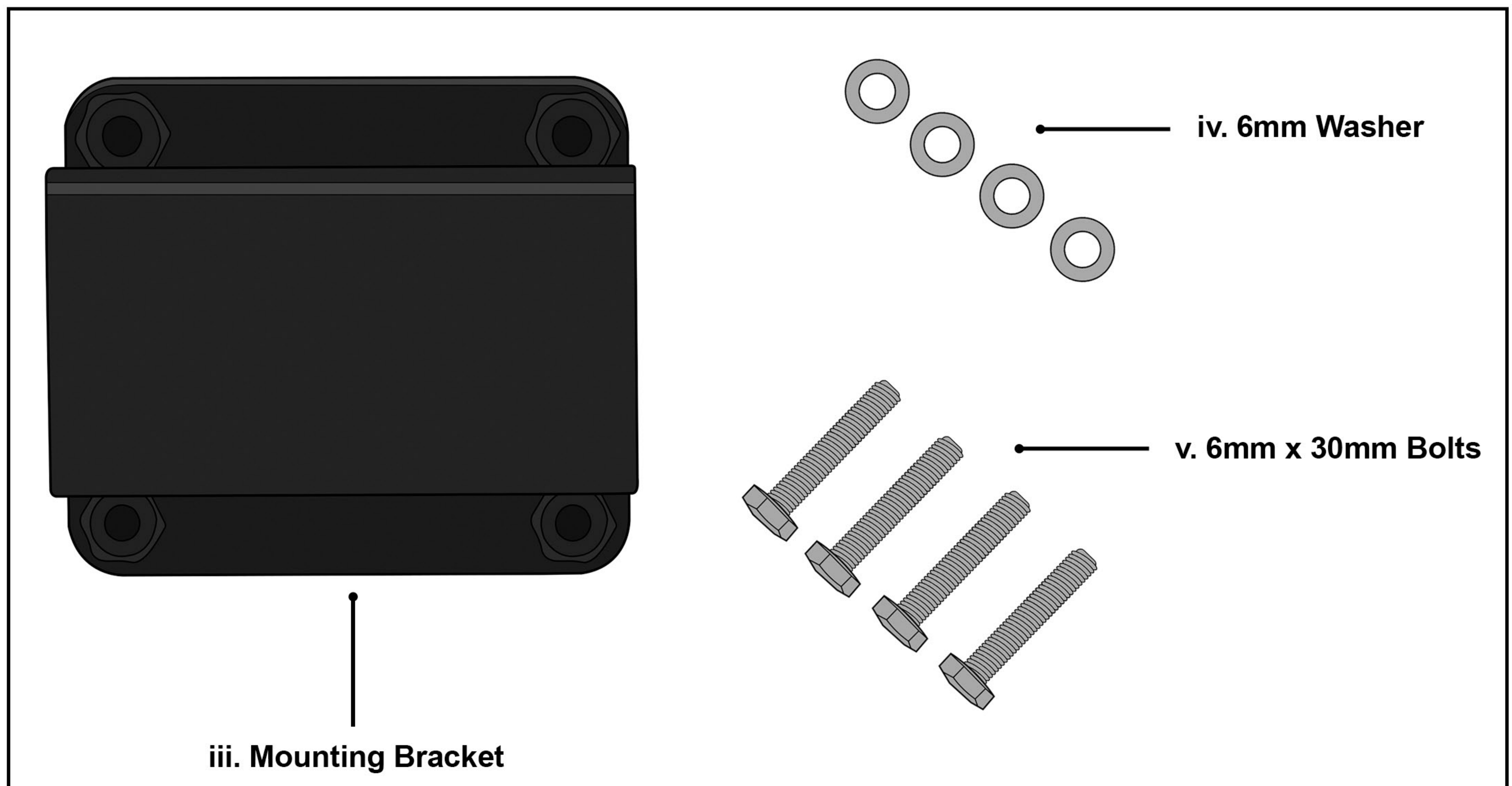
Viking Inferno Swing Arm Bag for Harley Nightster RH975:



Parts:

- i Swing Arm Bag
- ii Rain Cover
- iii Mounting Bracket
- iv 6mm Washer
- v 6mm x 30mm Bolts

Parts Diagram:



Instructions:

Step 1:

Put the mounting bracket (iii) onto the swing arm to find a suitable position for the bracket.

Step 2:

Once you have a suitable position, remove the bracket and clean the area with rubbing alcohol.

Step 3:

Install protective tape and attach the mounting bracket to the swing arm (See Fig 2.)

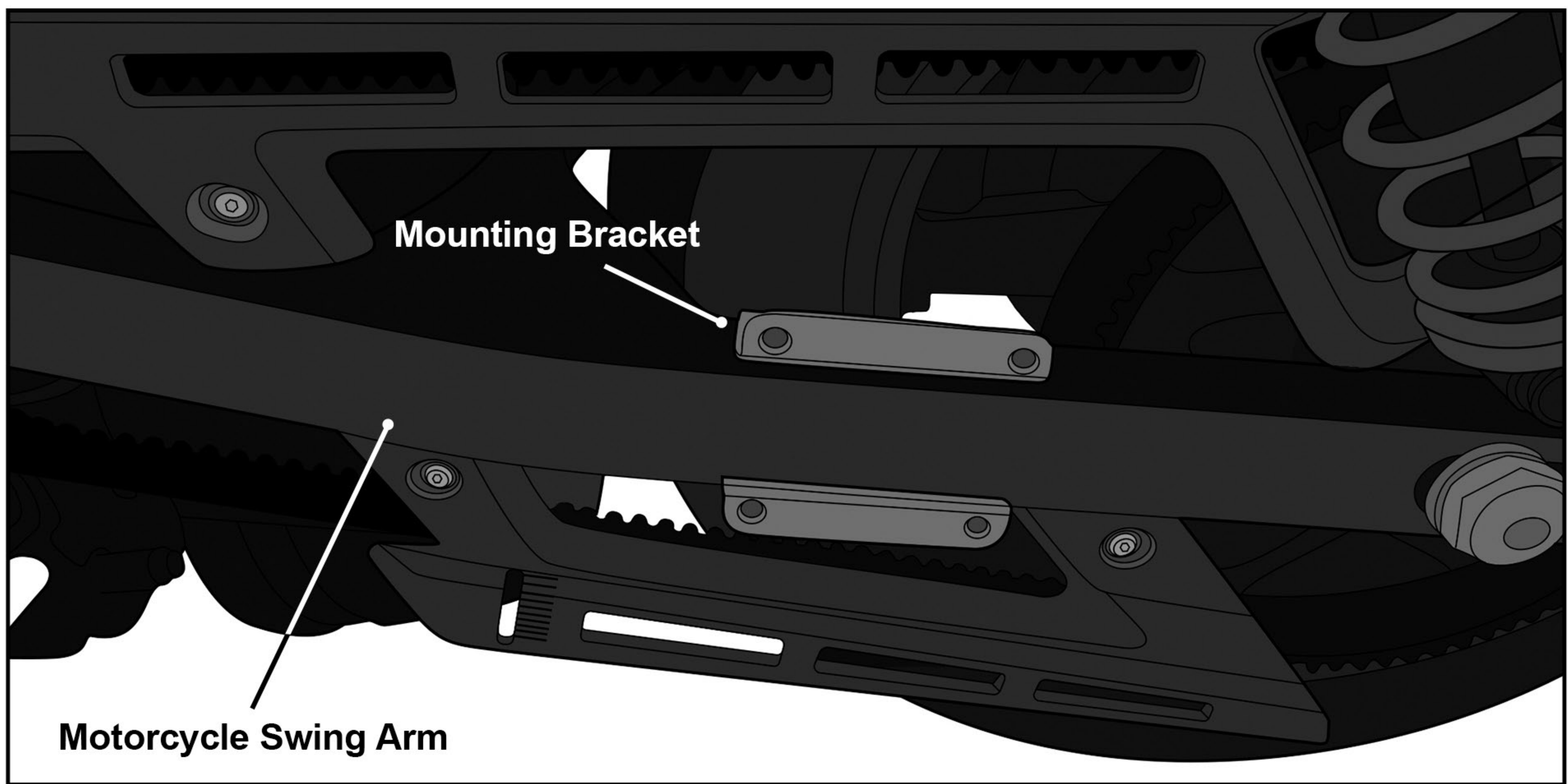


Fig 2. Attaching the mounting bracket to the motorcycle swing arm

Step 4:

Add the washers to the bolts.

Step 5:

Position the back panel of the swing arm bag on the bracket and align the holes.

Step 6:

Finally, install the screws and tighten. (Fig 3.)

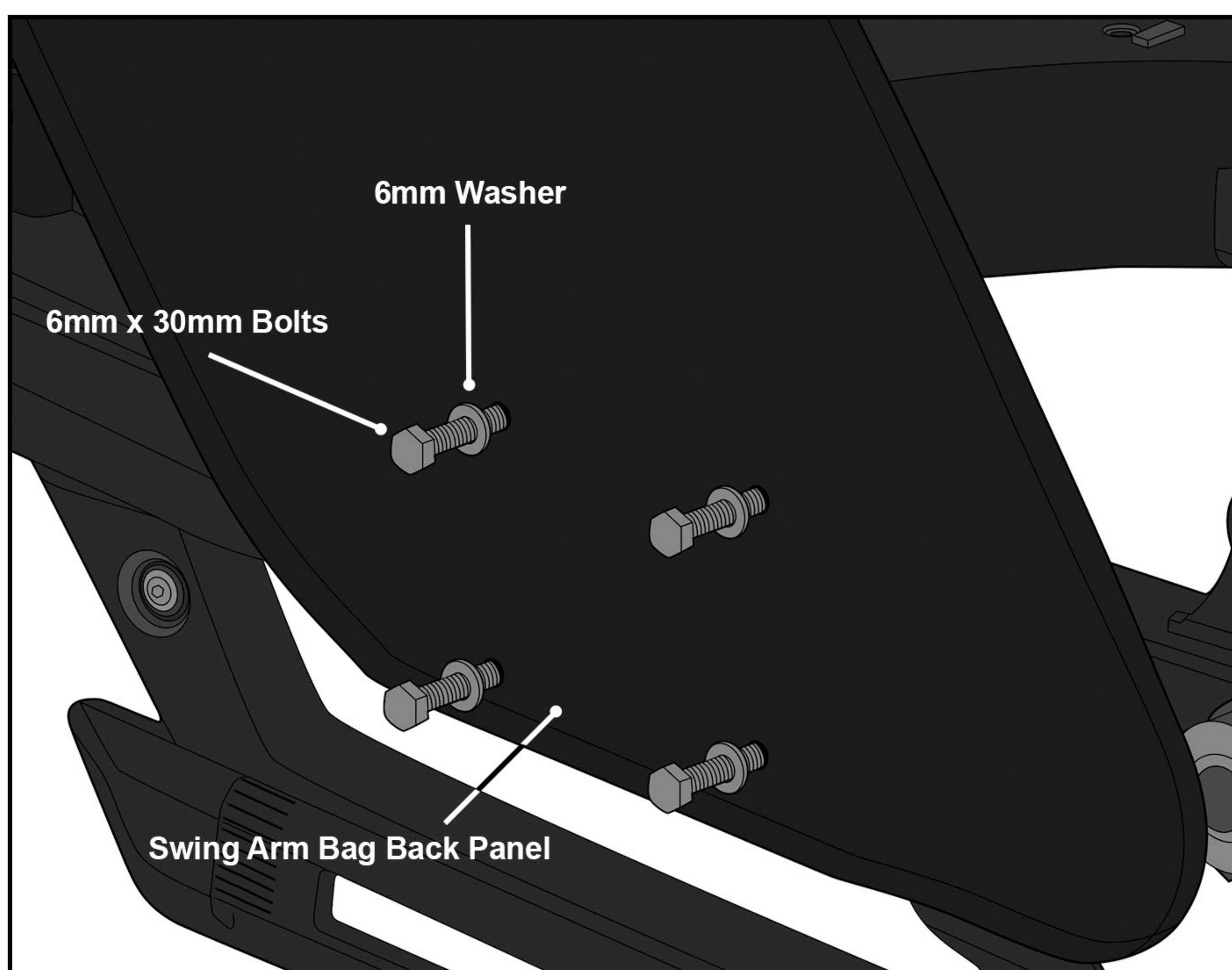


Fig 3. Installing the swing arm bag to the bike

Congratulations! You have successfully installed your Viking Inferno Swing Arm Bag and you are ready to ride!

Warnings!

- Do not install if any of the mounting hardware is damaged or impaired.
- If you have any questions or concerns about the installation, call Viking Bags or consult your local mechanic.
- Ensure no part of the bag constructs any of the moving parts of the bike.
- Viking Bags is not liable for any damage or malfunctions caused to your motorcycle during the installation process.
- Improper loading can cause vehicle handling problems leading to death or severe injury.
- Periodically check the bolts on your bike for tightness.