

Viking Incognito Solo Saddlebag for Honda Rebel 1100:



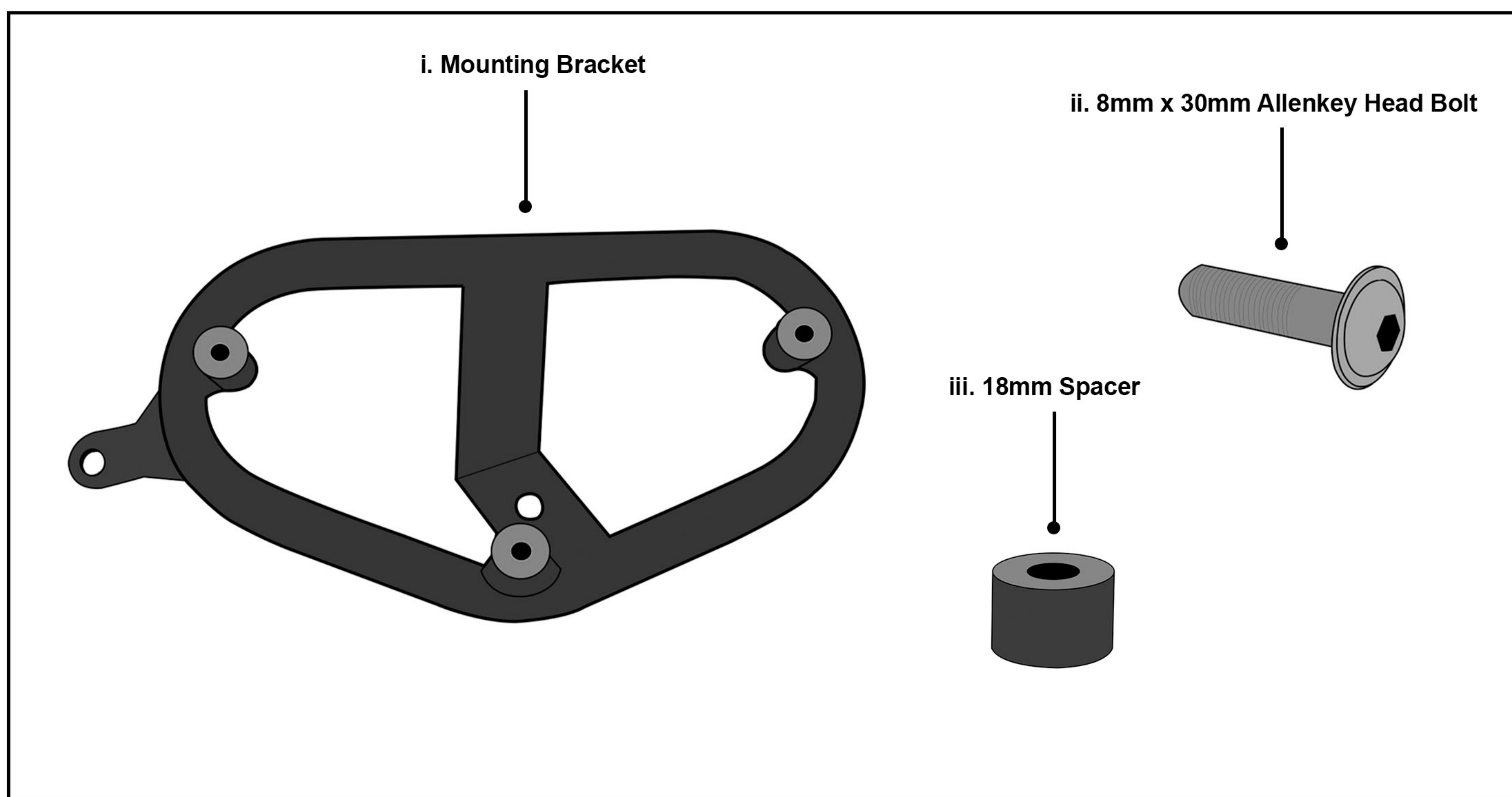
Parts:

i	Mounting Bracket	x1
ii	8mm x 30mm Allenkey Head Bolt	x2
iii	18mm Spacer	x2

Note:

- This installation guide shows for the right side, but the same steps are applicable for the left side as well
- You may not use all the provided bolts in the kit depending on your motorcycle setup

Parts Diagram:



Instructions:

Step 1:

Remove OEM bolts from your motorcycle fender. Refer to Fig 1.

Step 2:

Install the mounting bracket using 8mm x 30mm Allenkey Head Bolts (ii) and 18mm Spacers (iii). Refer to Fig 1.

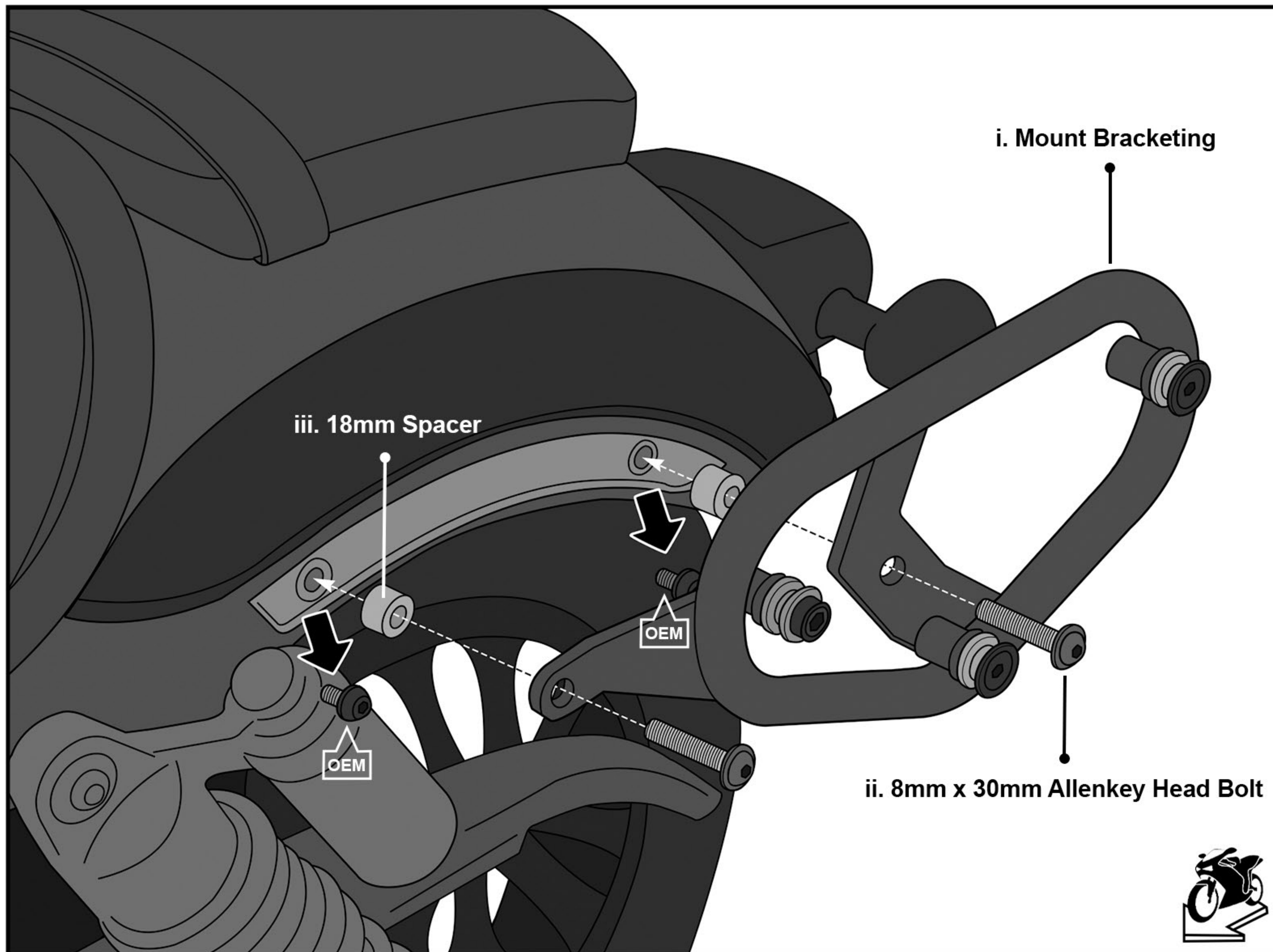


Fig 1. Install the mounting bracket

Step 3:

Use the pre-installed adapter plate in the back of the Viking Detachable Solo Bag to mount it on the bracket as shown in Fig 2. Press the Solo Bag onto the mounting pegs until it properly rests on the mounting bracket.

To release the bag, press the lever or pull the quick-release cord.

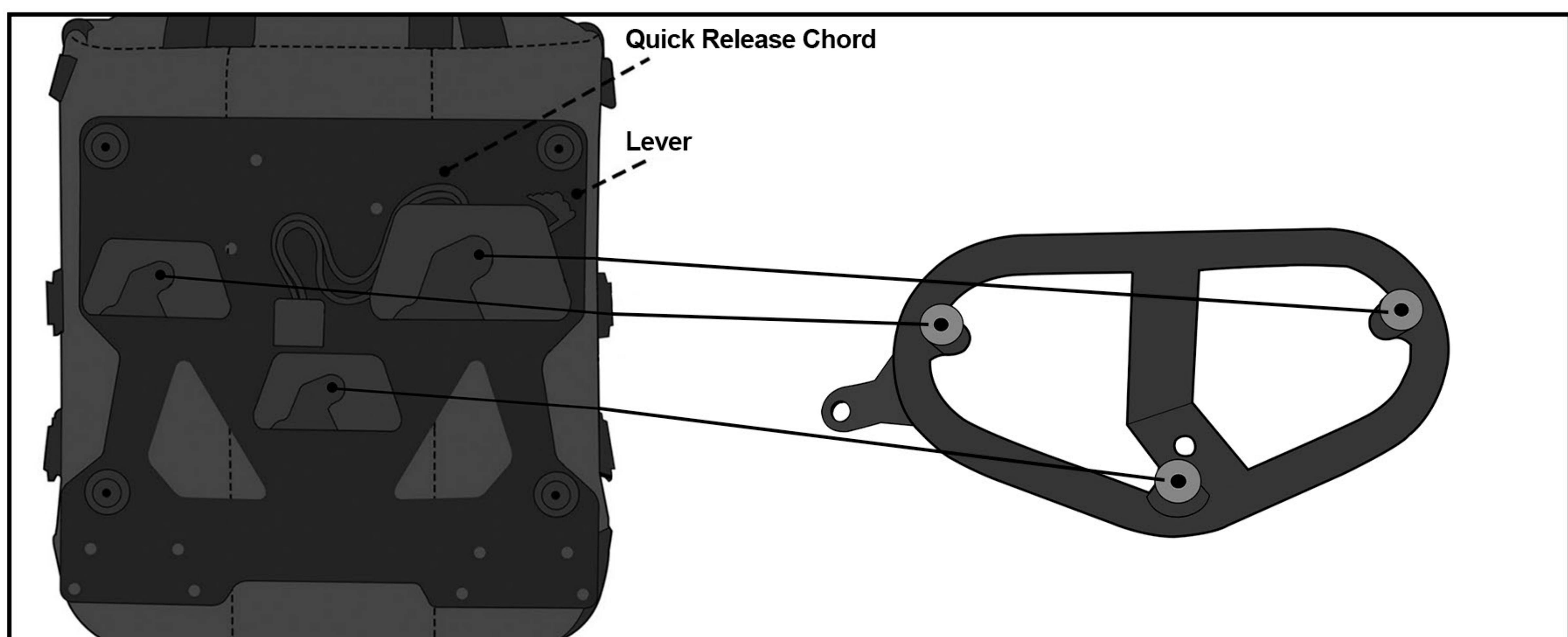
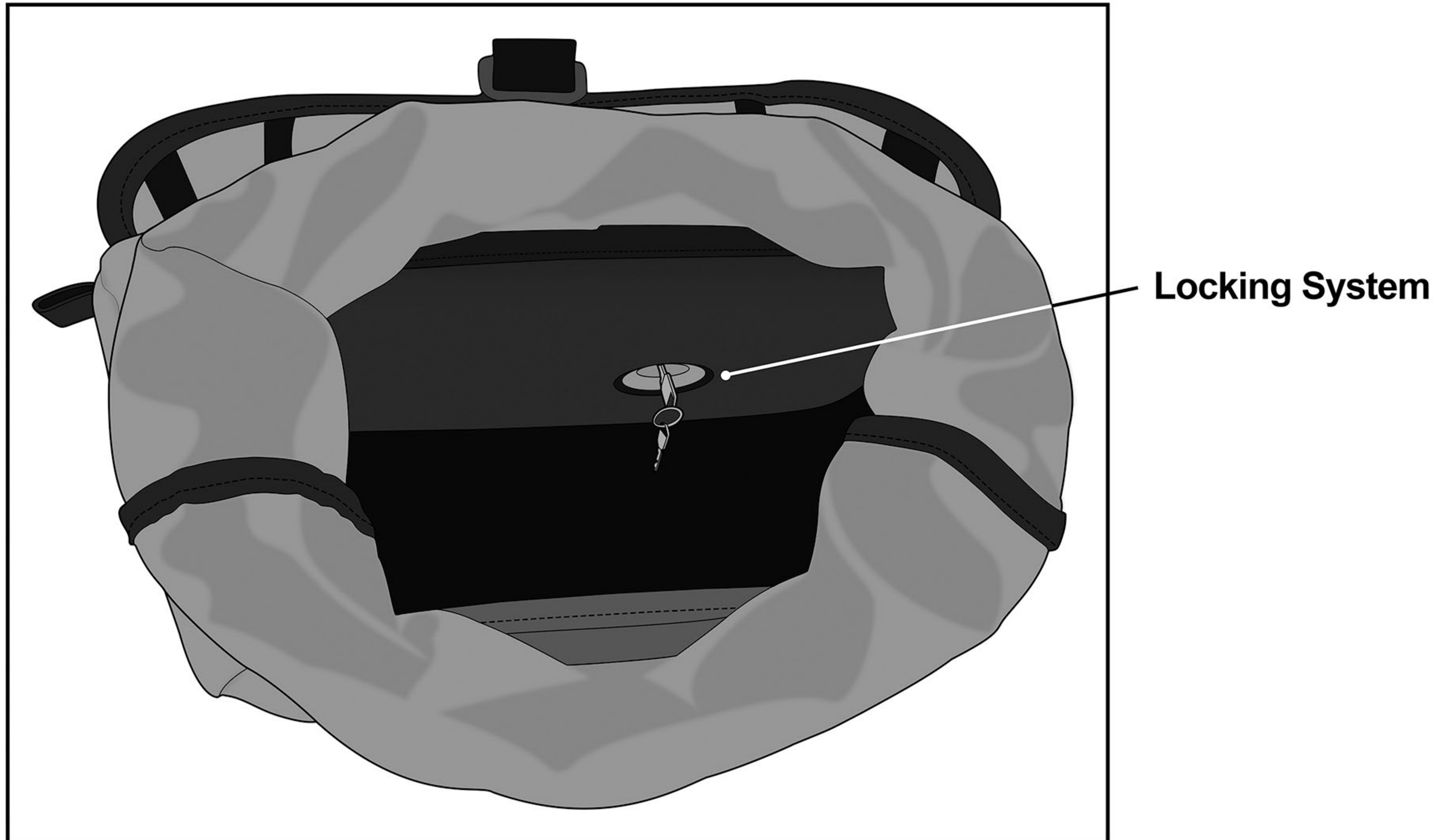


Fig 2. Attaching the bag to the bracket

Tip:

The Quick Detach Mounting System of the bag is lockable. Use the provided set of keys to secure the quick detach mounting system of the bag.



locking system located below the waterproof liner

Congratulations, your Viking Incognito Solo Bag is installed and you are ready to ride!

Warnings!

- Do not install if any of the mounting straps are damaged or impaired.
- If you have any questions or concerns about the installation, call Viking Bags or consult your local mechanic
- Ensure no part of the bag obstructs any of the moving parts of the bike
- Viking Bags is not liable for any damage or malfunctions caused to your motorcycle during the installation process
- Improper loading can cause vehicle handling problems leading to death or severe injury.