

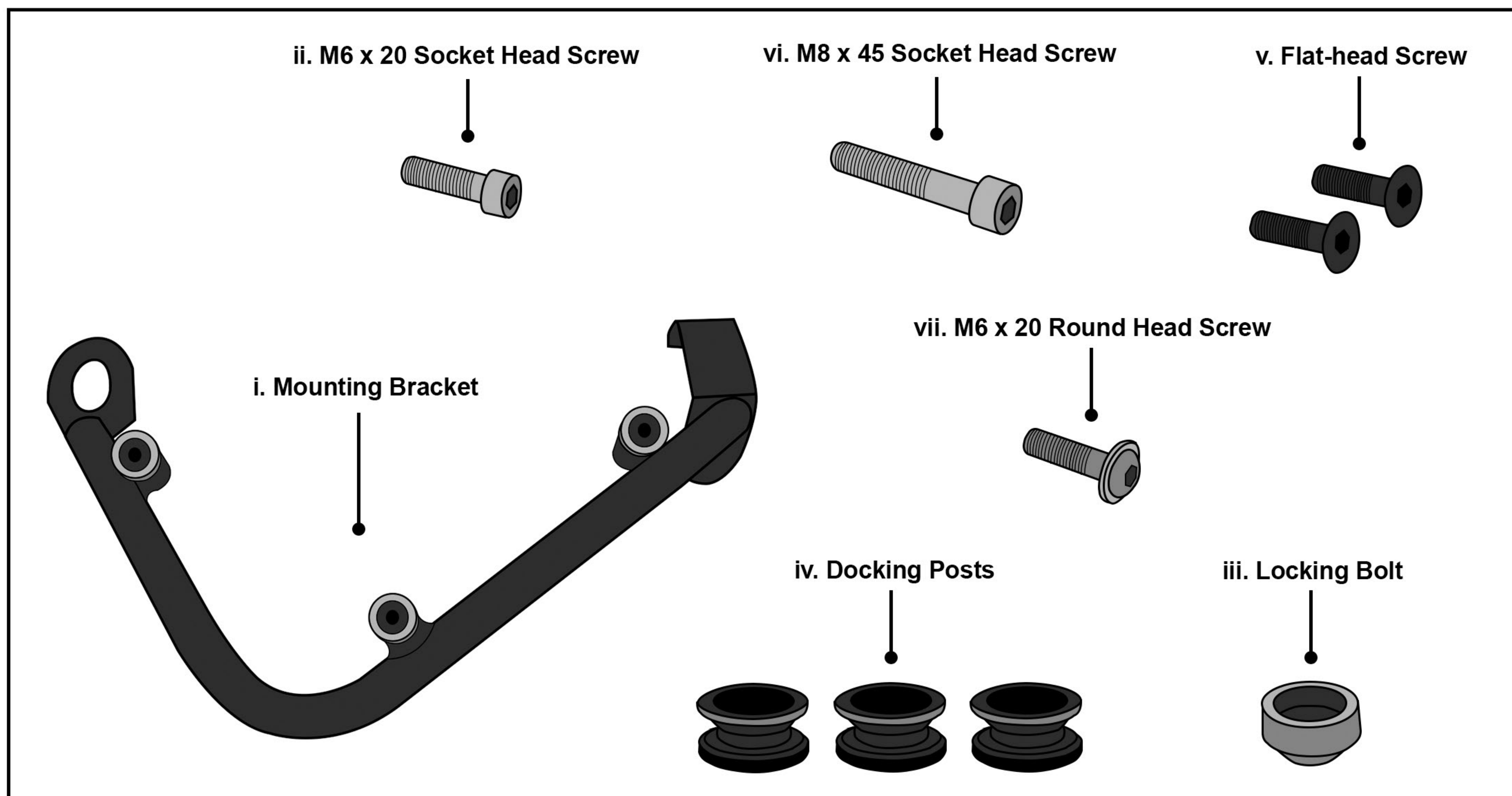
# Viking Incognito Solo Saddlebag Installation for BMW R nineT:



## Parts:

i	Mounting Bracket	x1
ii	M6 x 20 Socket Head Screw	x1
iii	Locking Bolt	x1
iv	Docking Posts	x3
v	Flat-head Screw	x2
vi	M8 x 45 Socket Head Screw	x1
vii	M6 x 20 Round Head Screw	x1

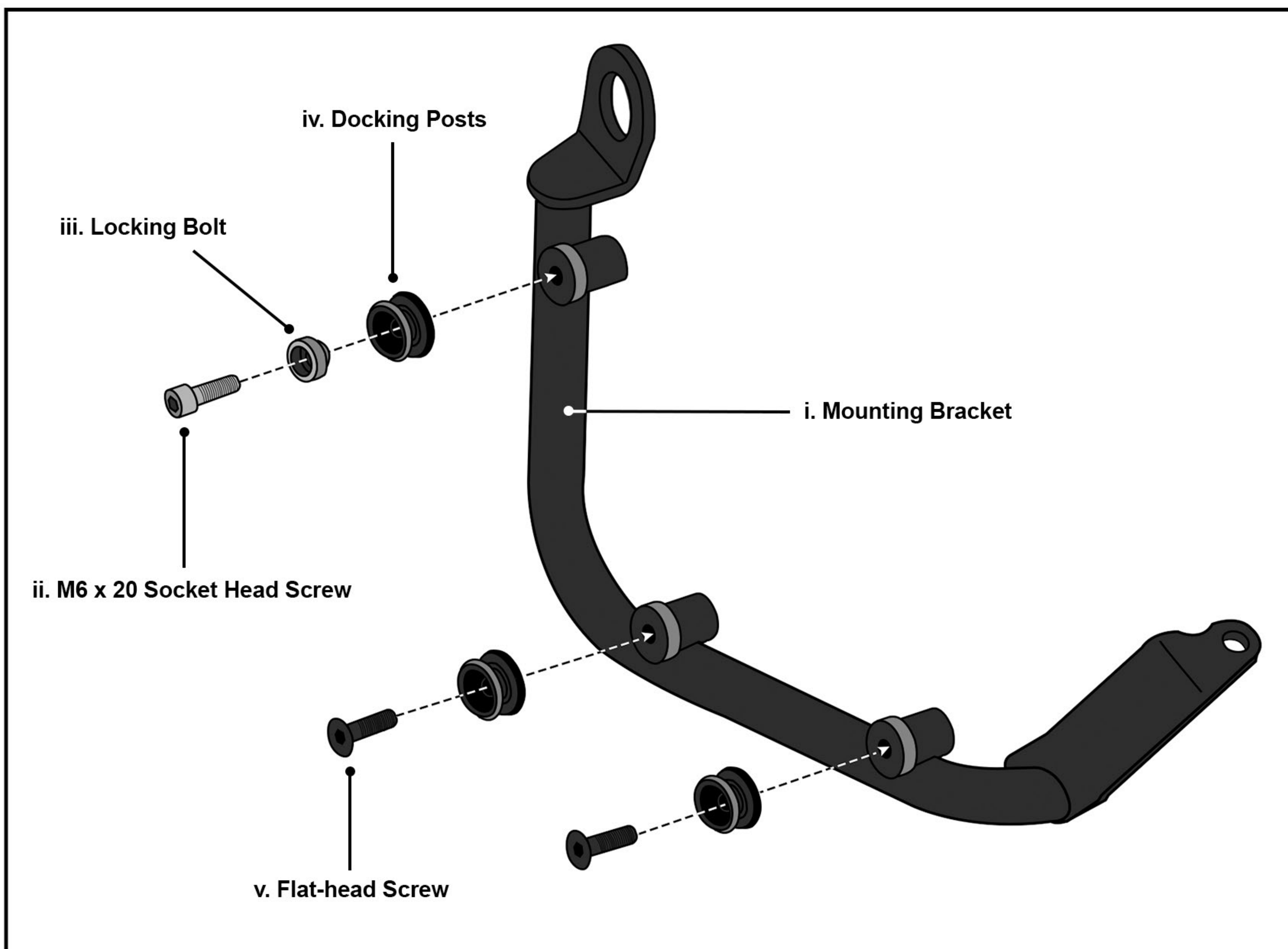
## Parts Diagram:



## Instructions:

### Step 1:

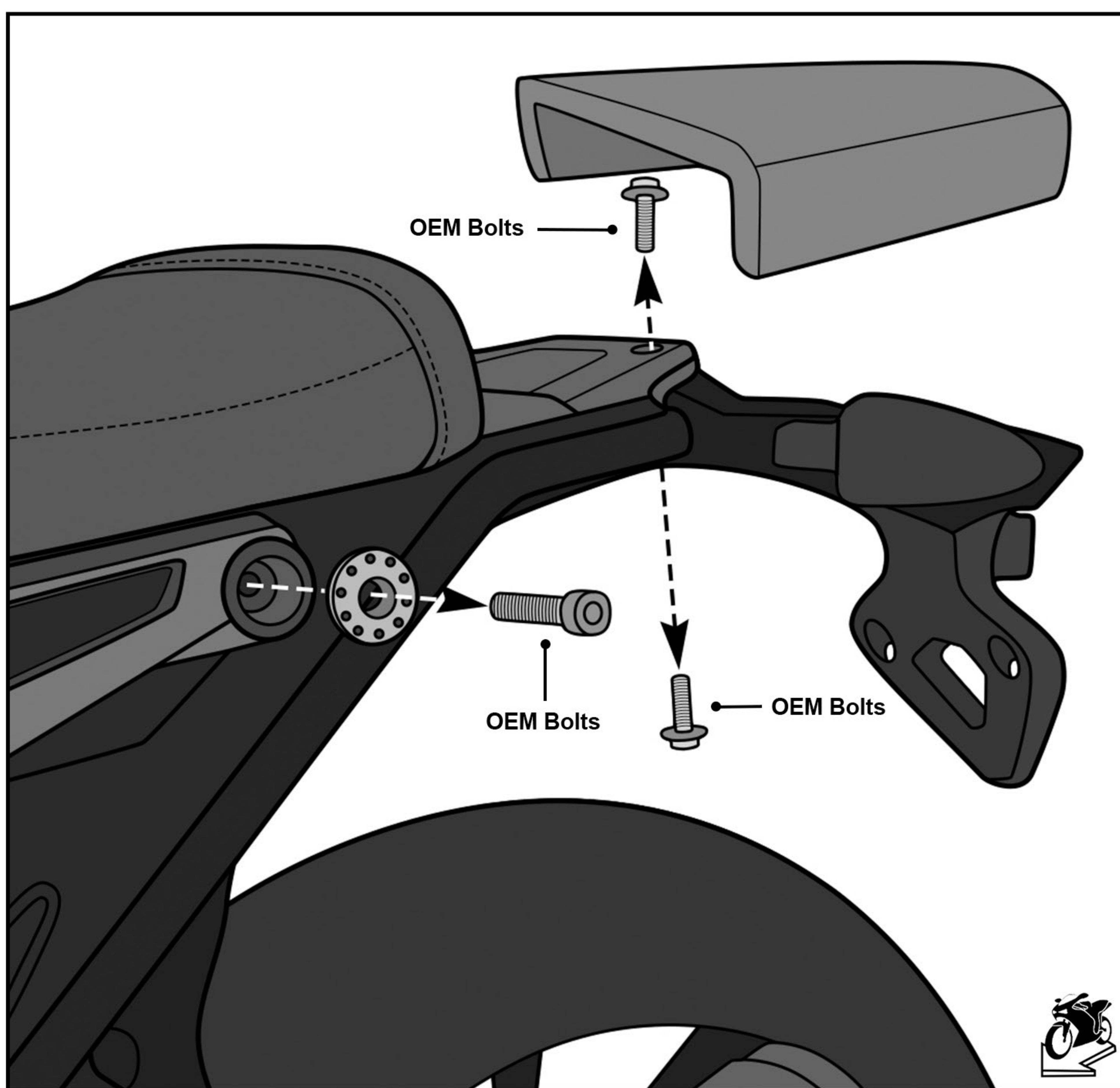
Install the 3 Docking Posts (iv) and the locking bolt (iii) to the side rack as shown in Fig 1.



**Fig 1. Mounting Bracket Assembly**

**Step 2:**

Remove the fender bolt and the screw under the seat as shown in Fig 2.

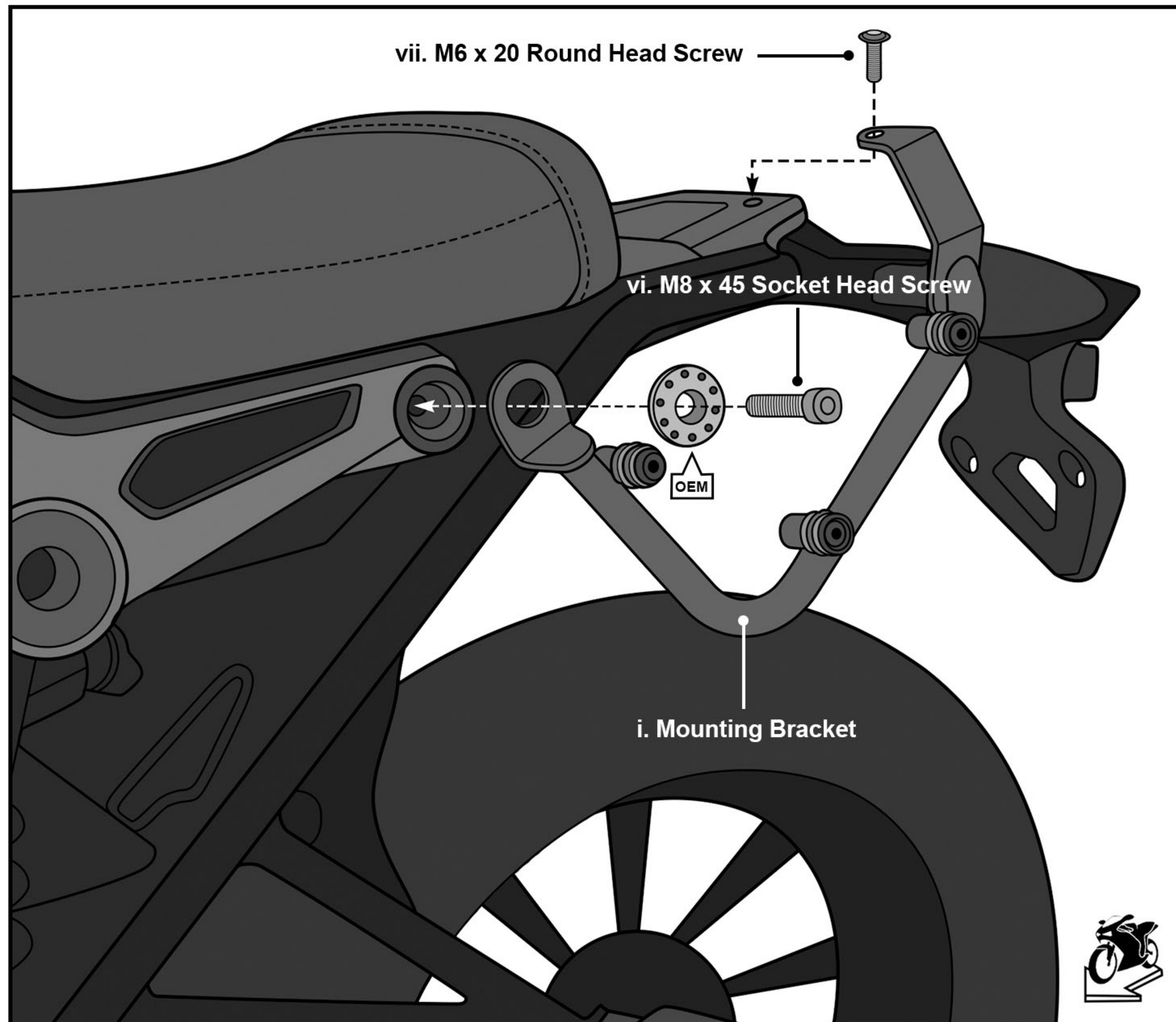


**Fig 2. Removing the OEM Screws**



### Step 3:

Install the Mounting Bracket to the bike using the provided screws, (vi) and (vii) from the parts list. Reuse the OEM spacer removed in the previous step. See Fig 3.

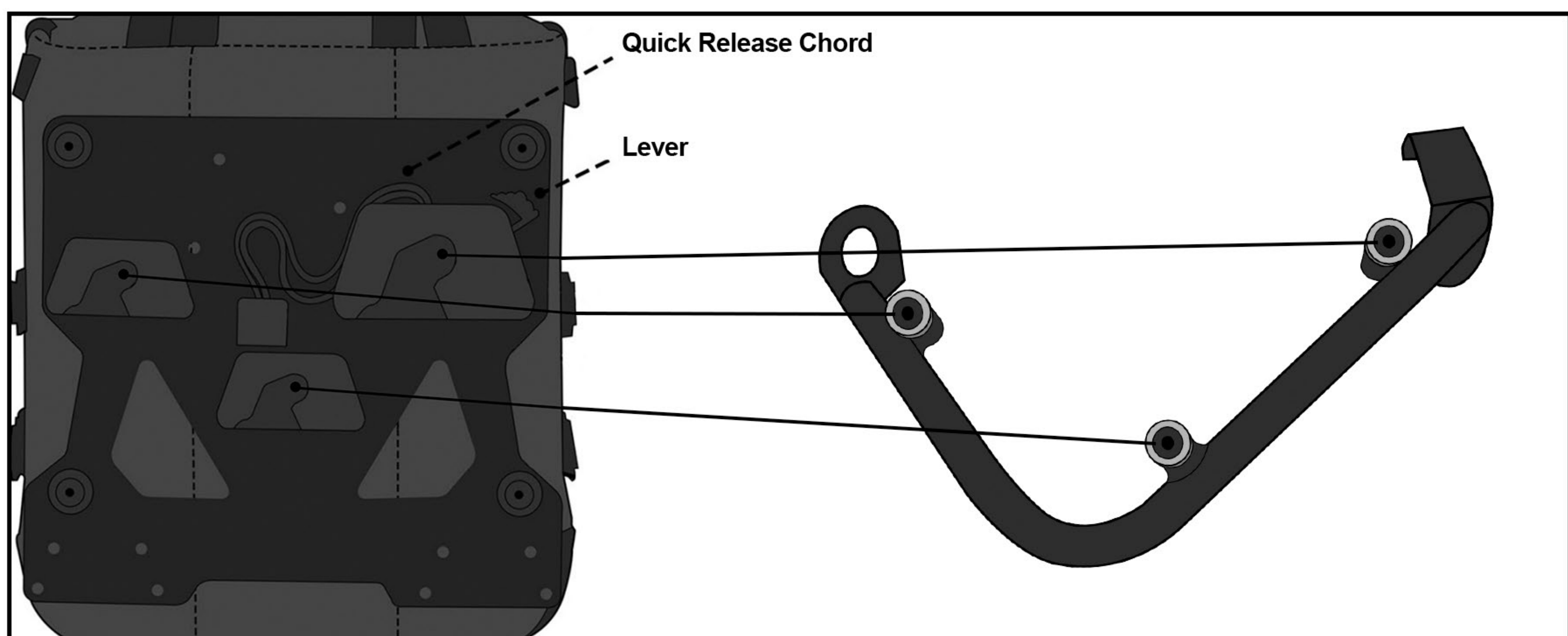


**Fig 3. Installing the mounting bracket**

### Step 4:

The back of the bag comes equipped with a quick disconnect bracket. Attach the bag to the side rack by aligning the holes in the quick disconnect bracket with the 3 docking posts. Push the bag downwards so that the docking posts engage with the grooves in the bracket and the bag locks in. See Figure 4.

Pull the lever to disengage the lock and remove the bag.

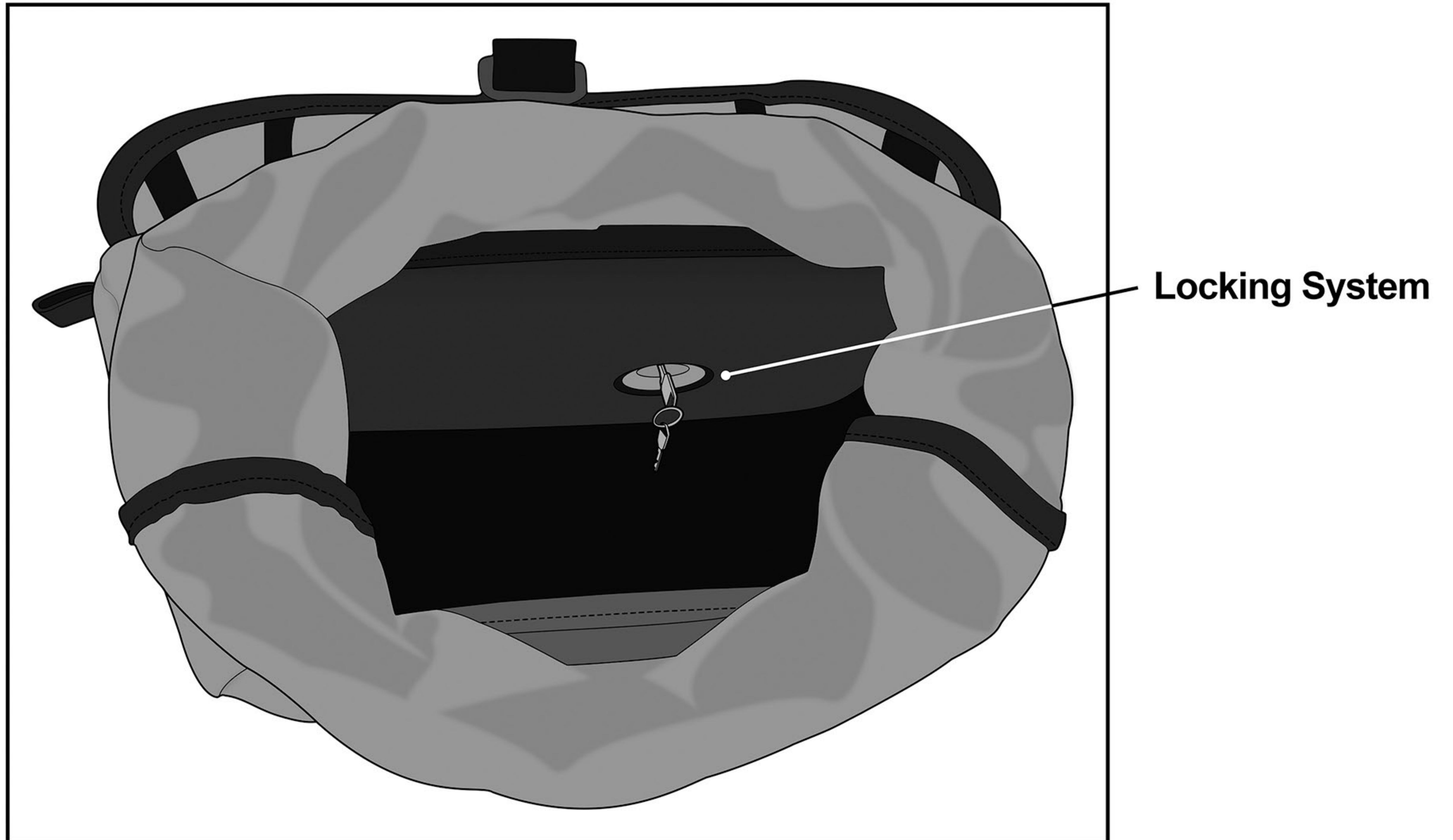


**Fig 4. Attaching the bag to the bracket**



## Tip:

The quick disconnect system is key lockable. Lock / unlock the quick disconnect system from inside the bag to secure your bag against theft.



locking system located below the waterproof liner

**Congratulations, your Viking Incognito Solo Bag is installed and you are ready to ride!**

## Warnings!

- Do not install if you are unsure about any of the installation steps.
- No part of the bag or side rack should obstruct any of the moving parts of the bike such as the wheels or drive-train.
- Viking Bags is not responsible for any damage or injury caused by improper installation or use of the product.
- Periodically check to ensure all the screws are securely fastened.