

Viking Incognito Solo Saddlebag Installation for BMW R18:



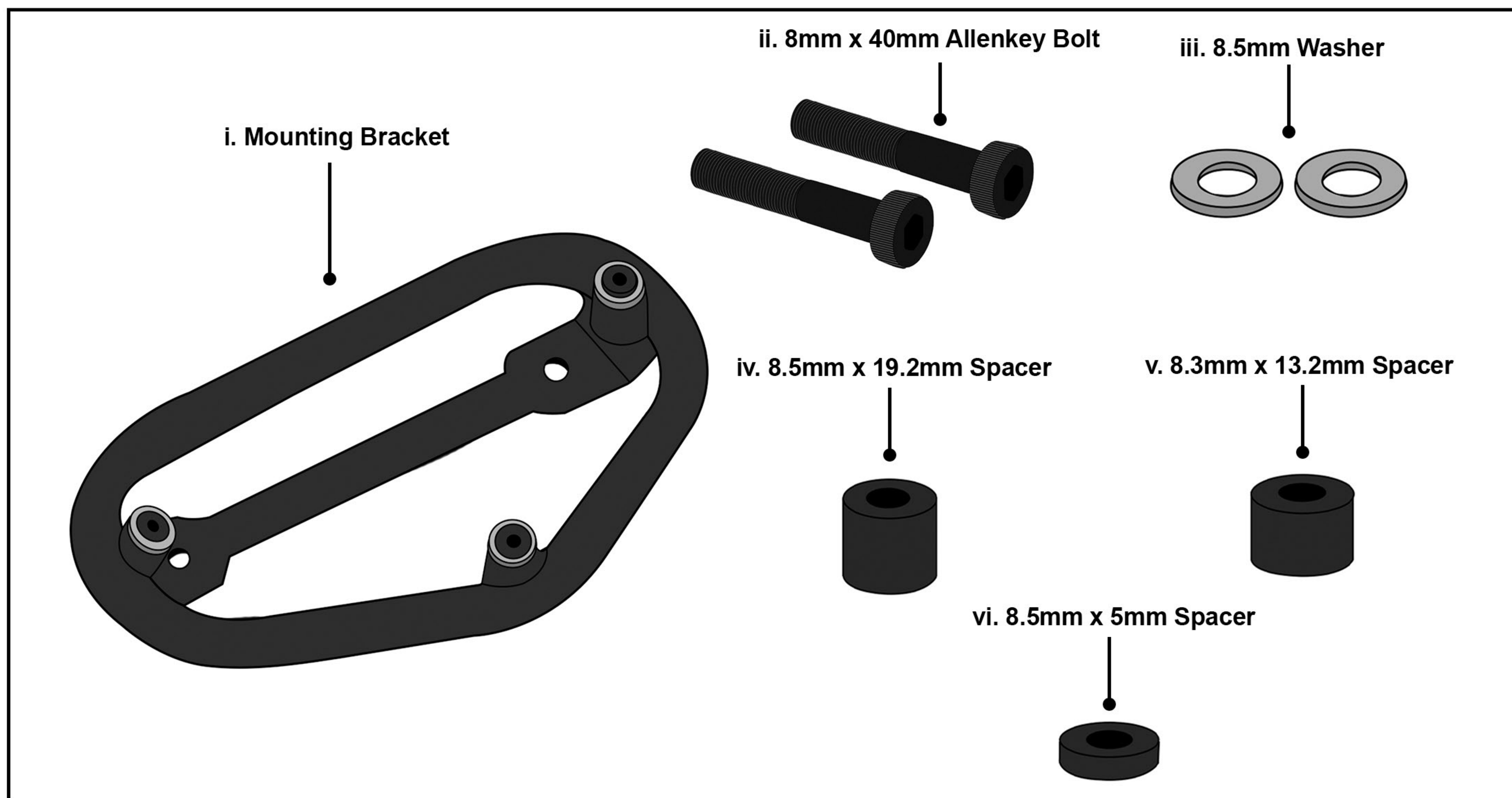
Parts:

i	Mounting Bracket	x1
ii	8mm x 40mm Allenkey Bolt	x2
iii	8.5mm Washer	x2
iv	8.5mm x 19.2mm Spacer	x1
v	8.3mm x 13.2mm Spacer	x1
vi	8.5mm x 5mm Spacer	x1

Note:

- This installation guide shows for the right side, but the same steps are applicable for the left side as well
- You may not use all the provided bolts in the kit depending on your motorcycle setup

Parts Diagram:



Instructions:

Step 1:

Remove OEM bolts from motorcycle fender. See Fig 1.

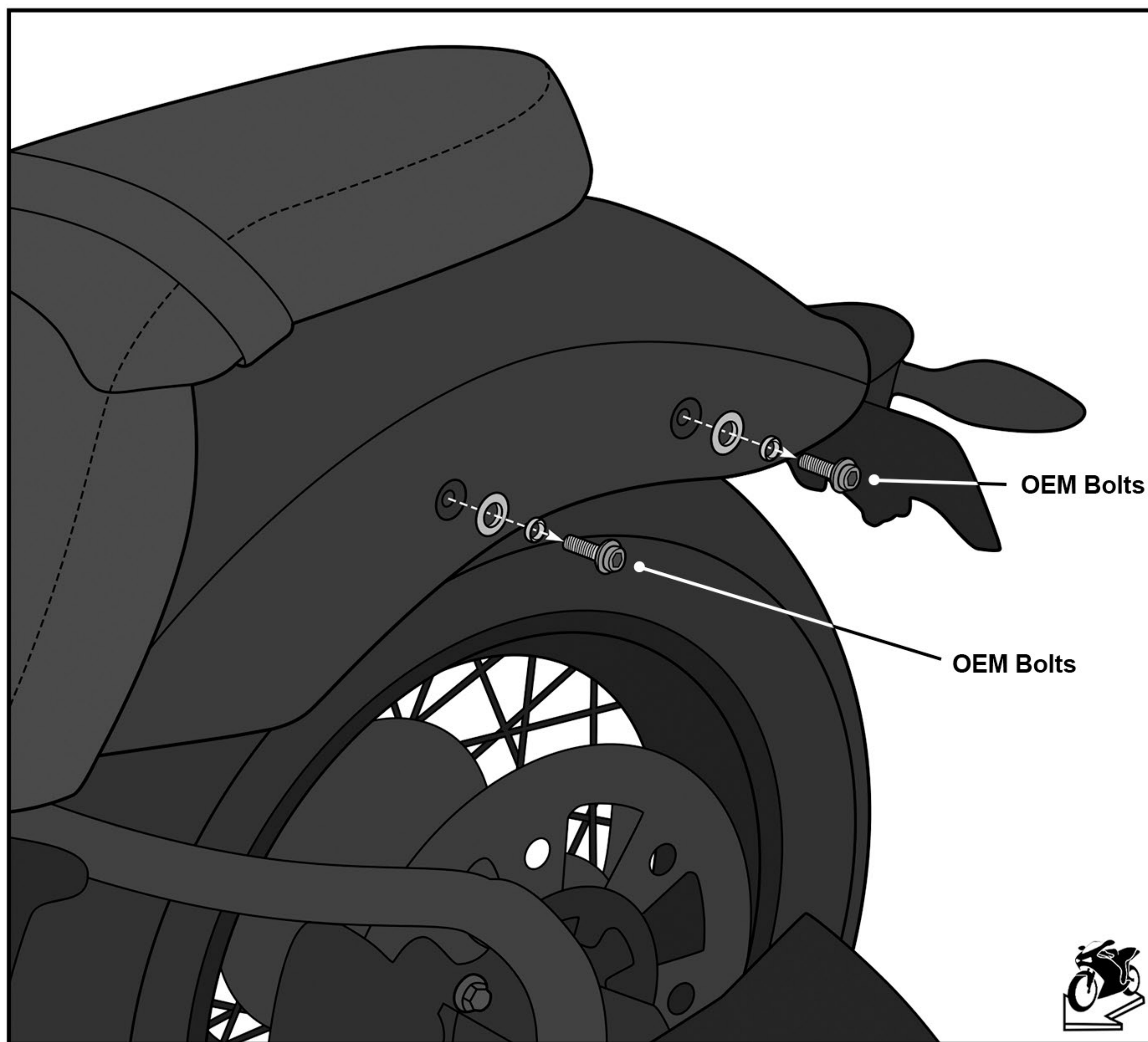


Fig 1. Remove OEM bolts

Step 2:

Install mounting bracket using provided bolts, washers and spacers. See Fig 2. (With no sissy bar or luggage rack) or See Fig 3. (With Sissy Bar or Luggage Rack).

- **No Sissy Bar or Luggage Rack:**

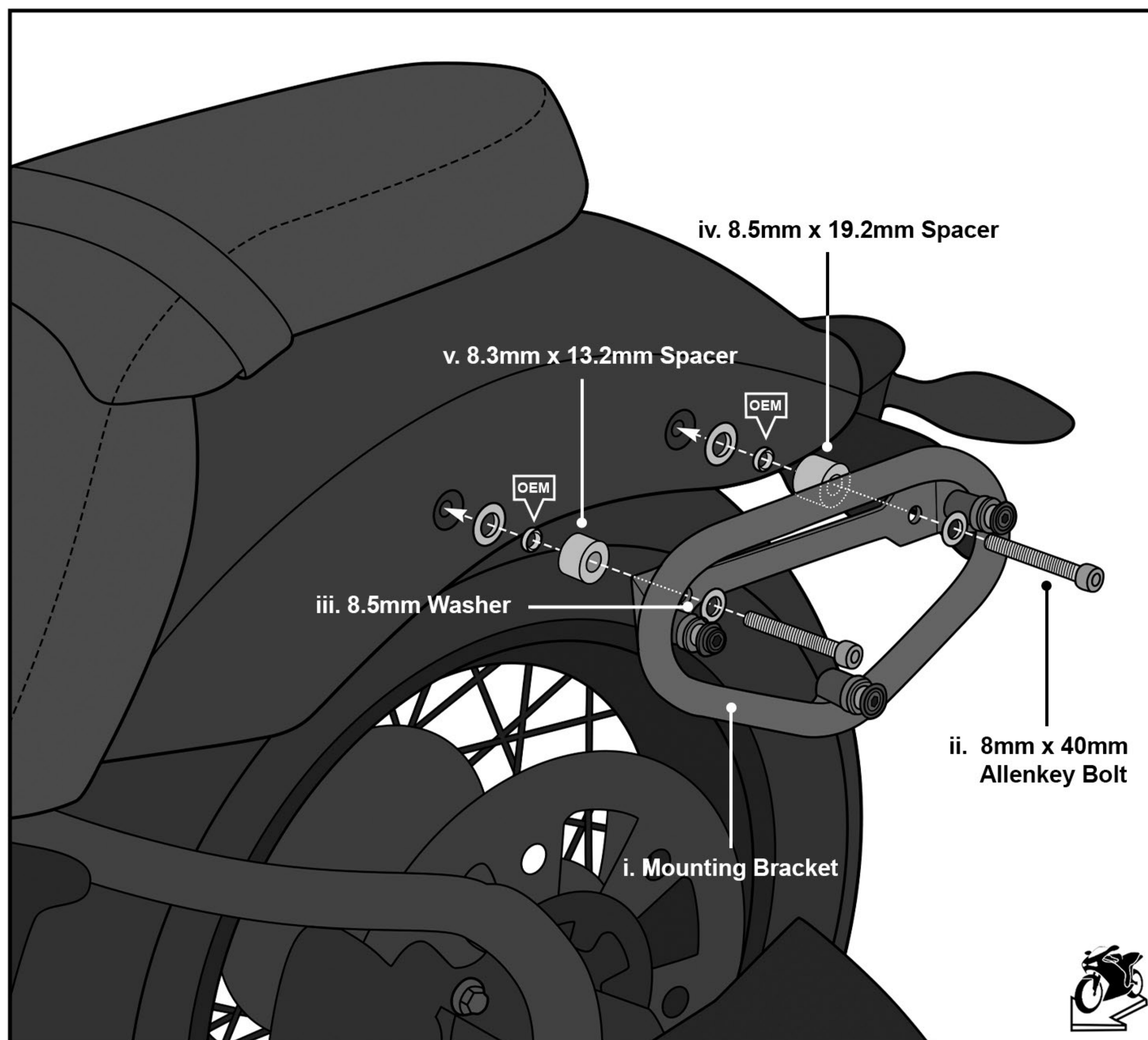


Fig 2. Installing mounting bracket with no sissy bar or luggage rack

- With Sissy Bar or Luggage Rack:

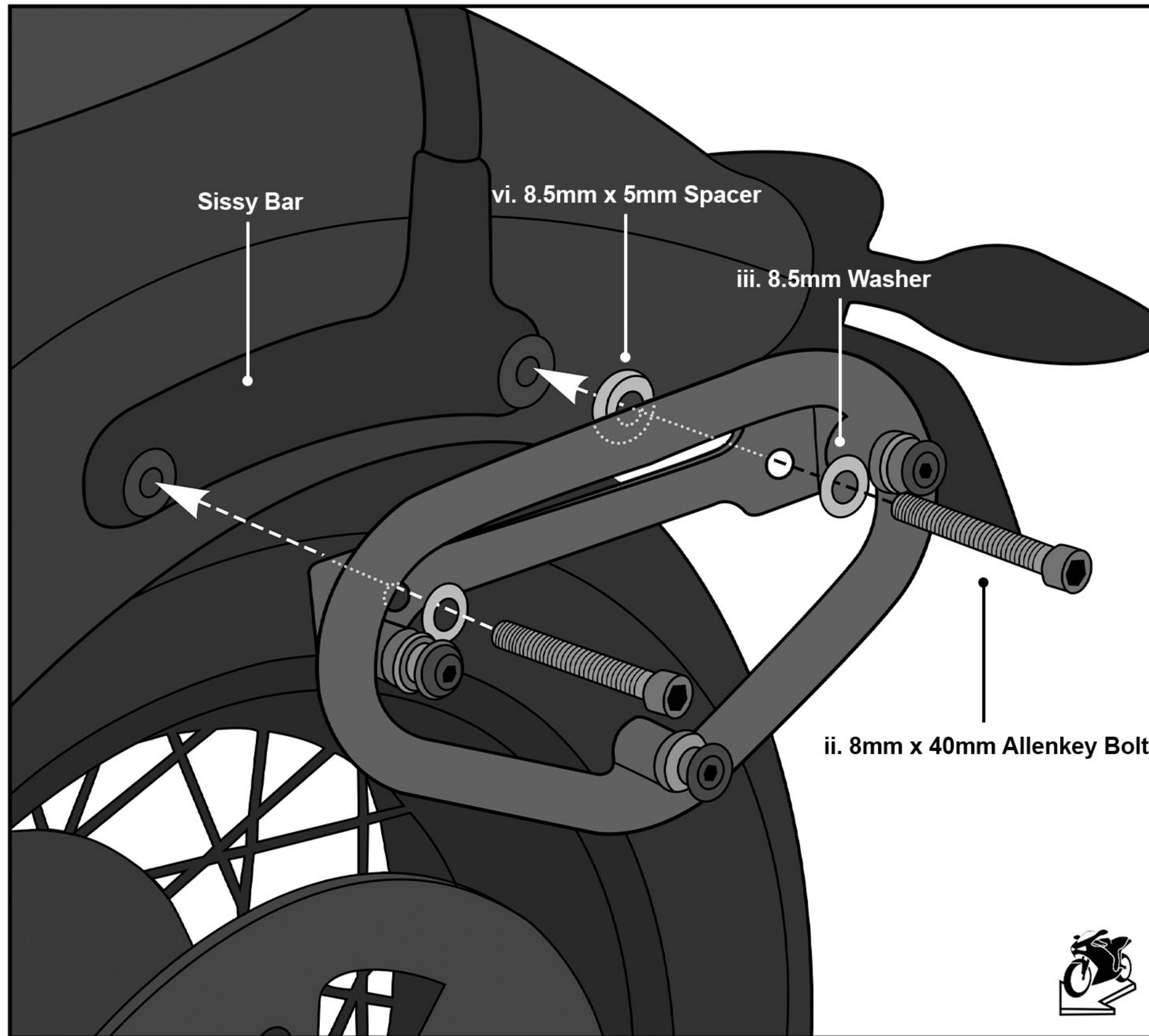


Fig 3. Installing mounting bracket with sissy bar or luggage rack

Step 3:

Use the pre-installed adapter plate in the back of the Viking Detachable Solo Bag to mount it on the bracket as shown in Fig 4. Press the Solo Bag onto the mounting pegs until it properly rests on the mounting bracket.

To release the bag, press the lever or pull the quick-release cord.

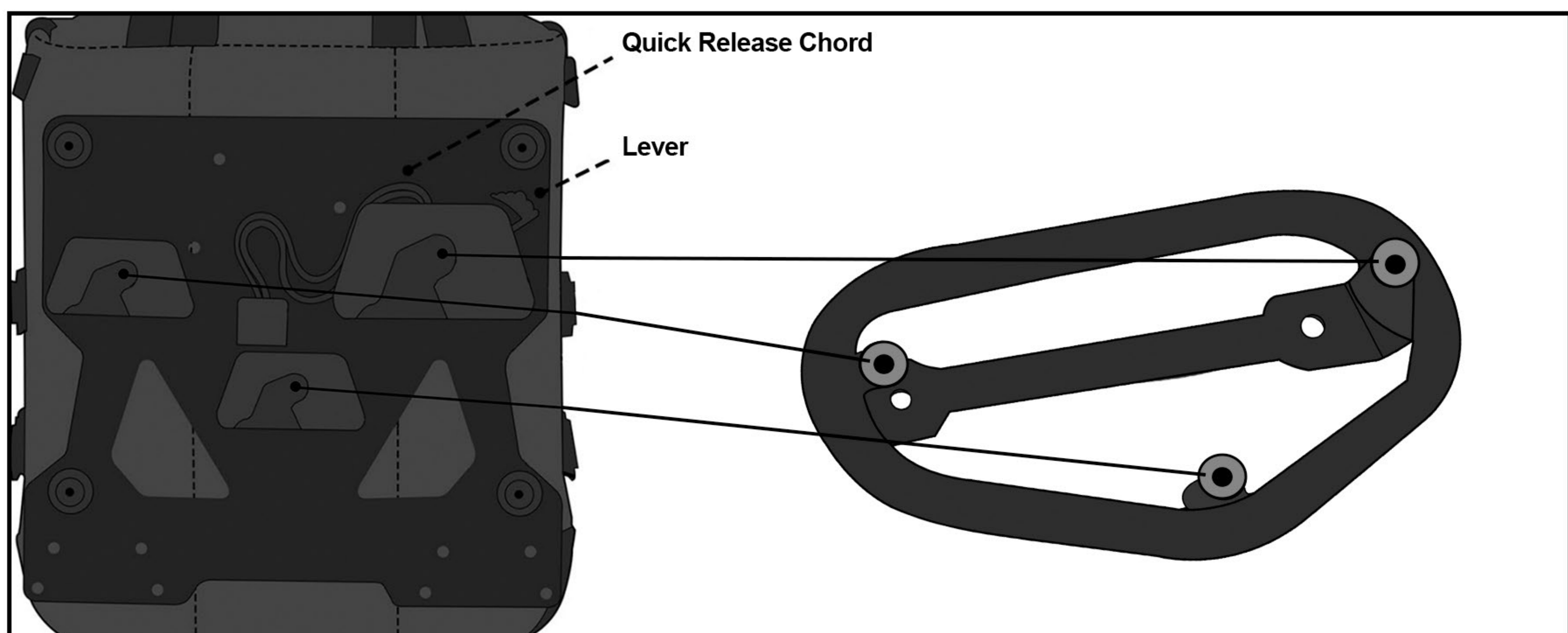
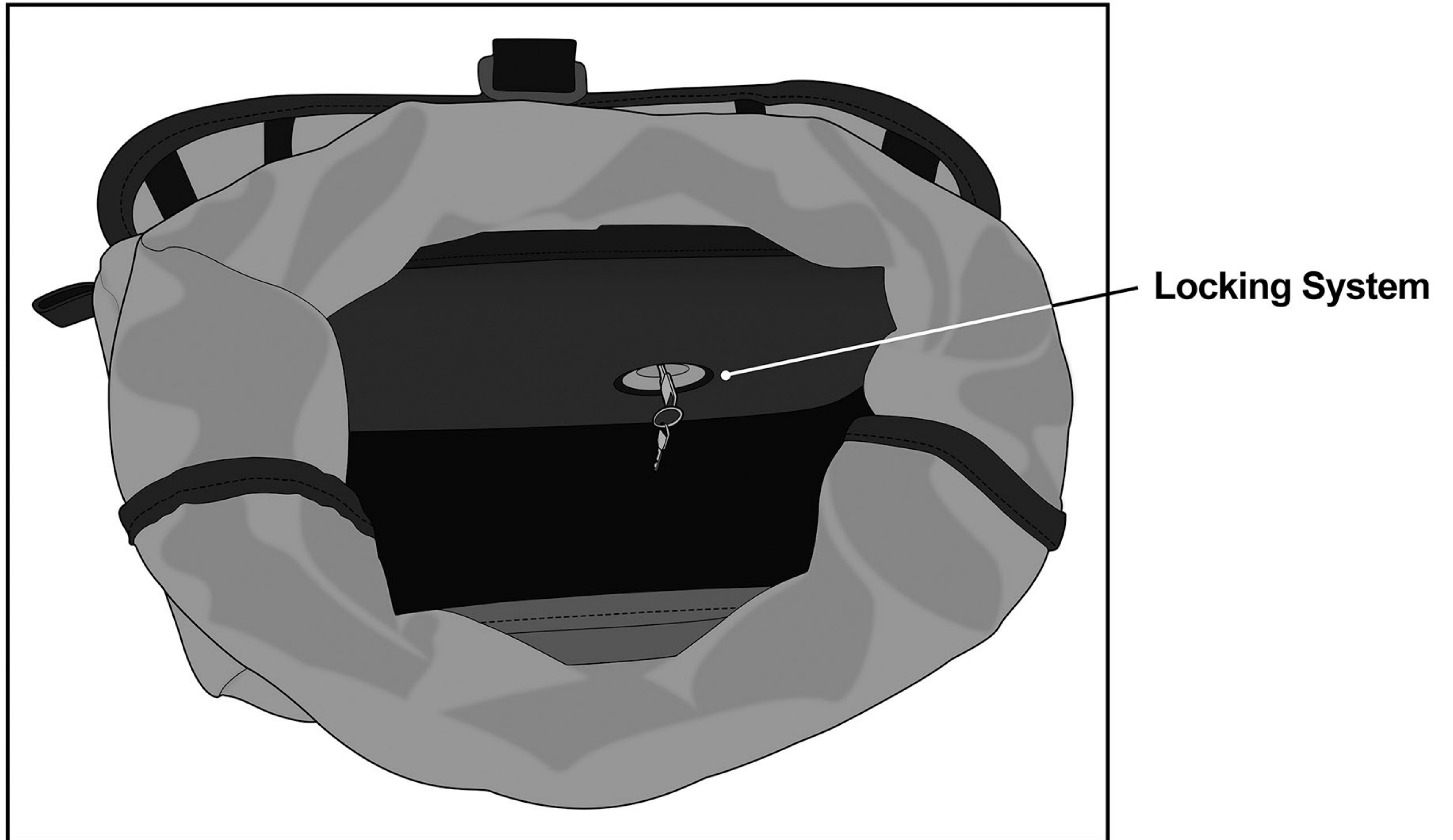


Fig 4. Attaching the bag to the bracket

Tip:

The Quick Detach Mounting System of the bag is lockable. Use the provided set of keys to secure the quick detach mounting system of the bag.



locking system located below the waterproof liner

Congratulations, your Viking Incognito Solo Bag is installed and you are ready to ride!

Warnings!

- Do not install if any of the mounting straps are damaged or impaired.
- If you have any questions or concerns about the installation, call Viking Bags or consult your local mechanic
- Ensure no part of the bag constructs any of the moving parts of the bike
- Viking Bags is not liable for any damage or malfunctions caused to your motorcycle during the installation process
- Improper loading can cause vehicle handling problems leading to death or severe injury.