

Viking Incognito Handlebar Bag



Instruction:

Parts:

- | | | |
|----|-------------------------|-----|
| i | Incognito Handlebar Bag | x 1 |
| ii | Hook & Loop Straps | x 4 |

Note:

Regularly check to see all straps are firmly attached and the bag is securely in place.

Instructions:

Step 1

Install 4 of the hook & loop straps to the back of the handlebar bag. **Fig A.** shows one of the possible setups.

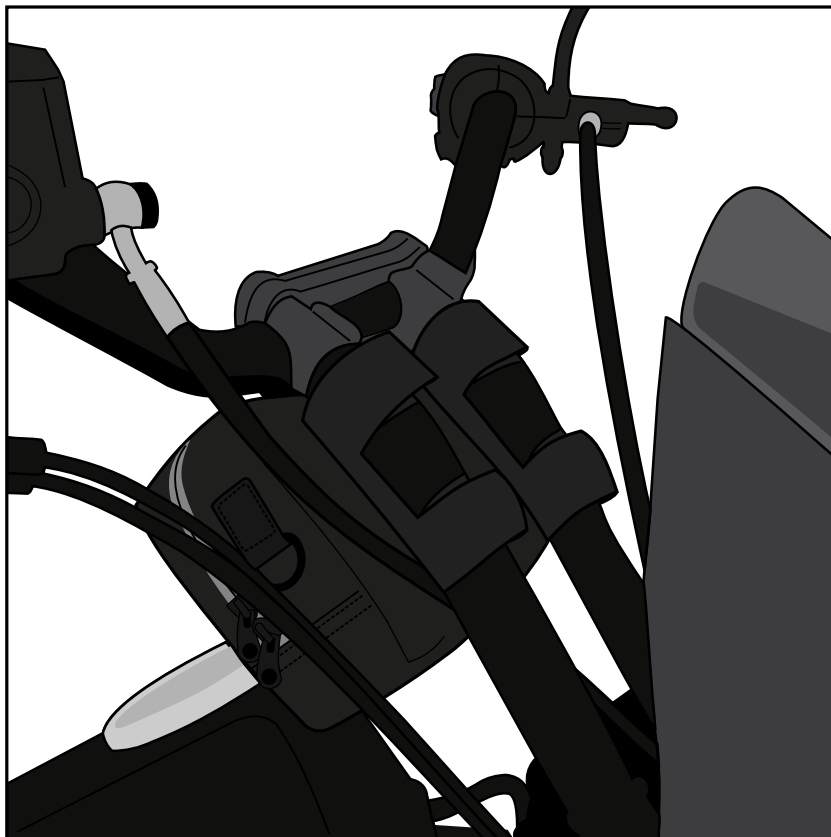


Fig A. Hook & Loop Set-Up using 4 straps

Step 2

Secure hook and loop straps around the handlebar and risers. See **Fig B.**

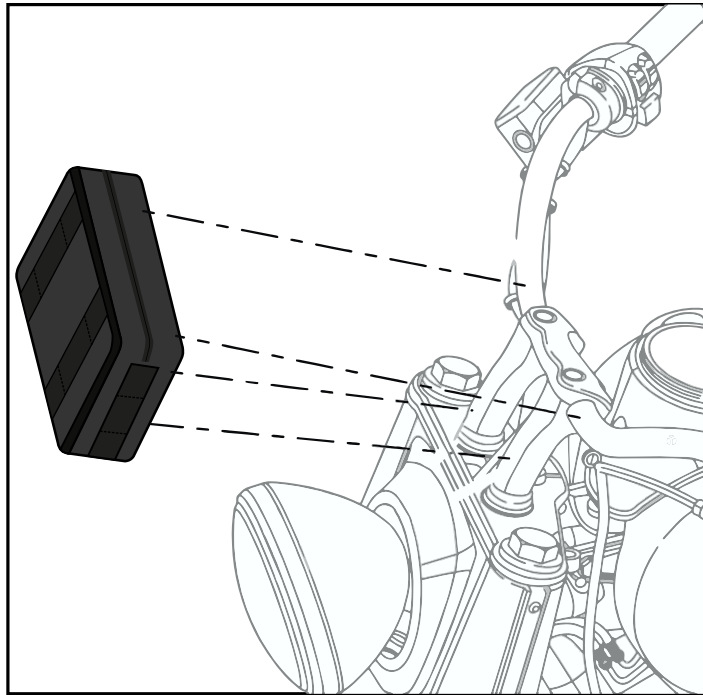


Fig B. Attaching Bag to Handlebar & Risers

Step 3

Ensure all straps are tightly wrapped and the bag is firmly in place.

**Congratulations, your Viking Incognito Handlebar Bag
are installed and you are ready to ride!**

Warnings !

- Avoid using any mounting part that is impaired or not working correctly.
- Ensure no part of the bag obstructs any of the bike's moving parts.
- Viking Bags is not responsible for any damage or injury resulting from improper product use.
- No part of the bag should come in contact with any of the moving parts of the bike such as the wheels or drive train.