

Viking Incognito Solo Saddlebag for Triumph Scrambler:



Parts:

i	Left Mounting Bracket	x1
ii	Left Mounting Plate	x1
iii	Flange Screw	x5
iv	Rectangular Spacer	x1

Tools Needed:

- Before starting step 1 make sure to lift the motorcycle with a suitable motorcycle jack.
- The installation steps show the installation for the left mounting bracket.

Parts Diagram:

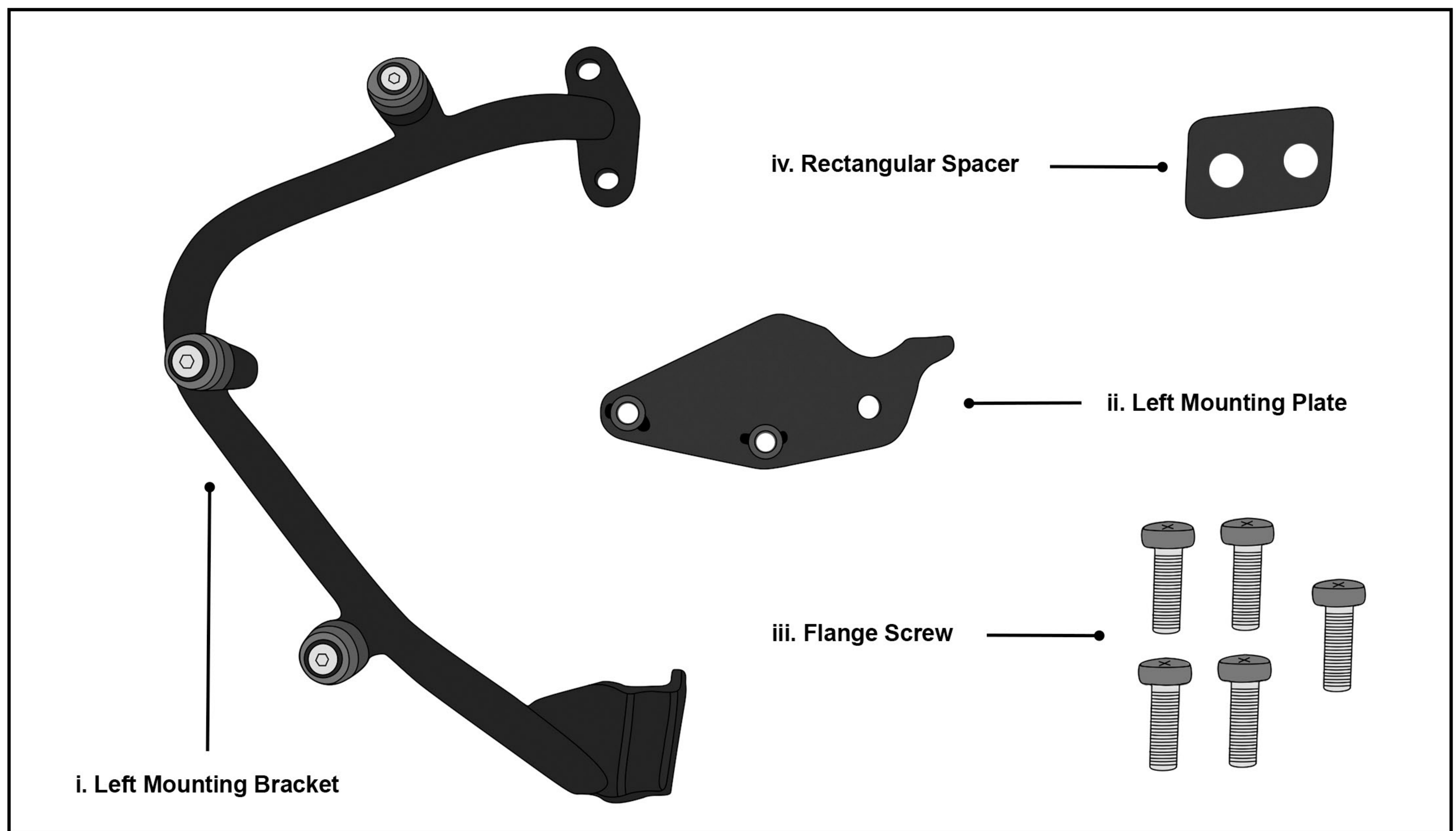


Fig 1. Parts Diagram

Instructions:

Step 1:

Loosen the two screws from the rear of your motorcycle seat and remove them.

Step 2:

Loosen the four screws of the motorcycle mud guard and wiring unit as shown in Fig 2. Place them both on the rear wheel as you will need space to install the left mounting bracket.

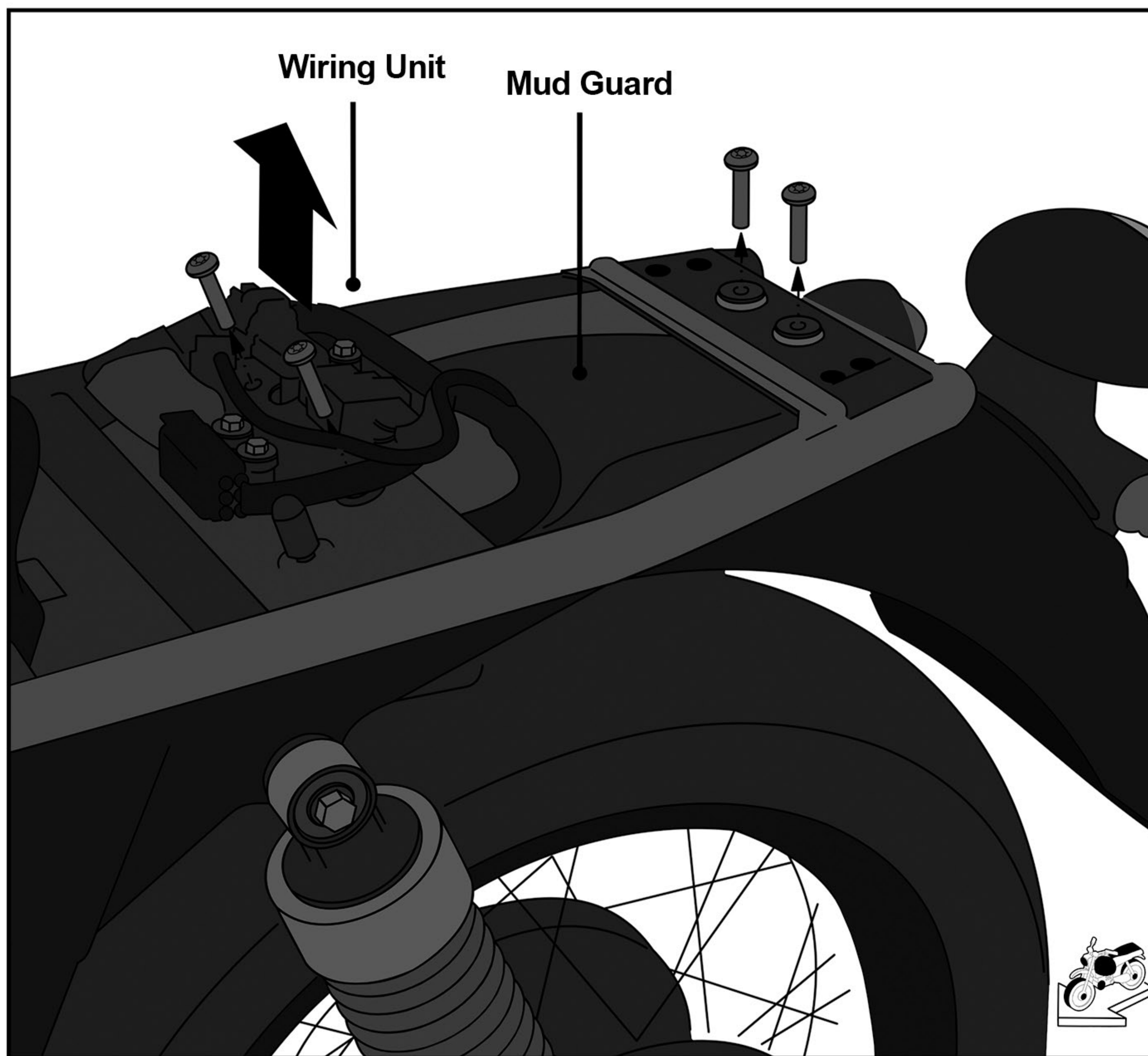


Fig 2. Loosening the wiring unit and the motorcycle mud guard

Step 3:

If you have an OEM passenger grab rack, remove it by loosening the six screws as shown in Fig 3.

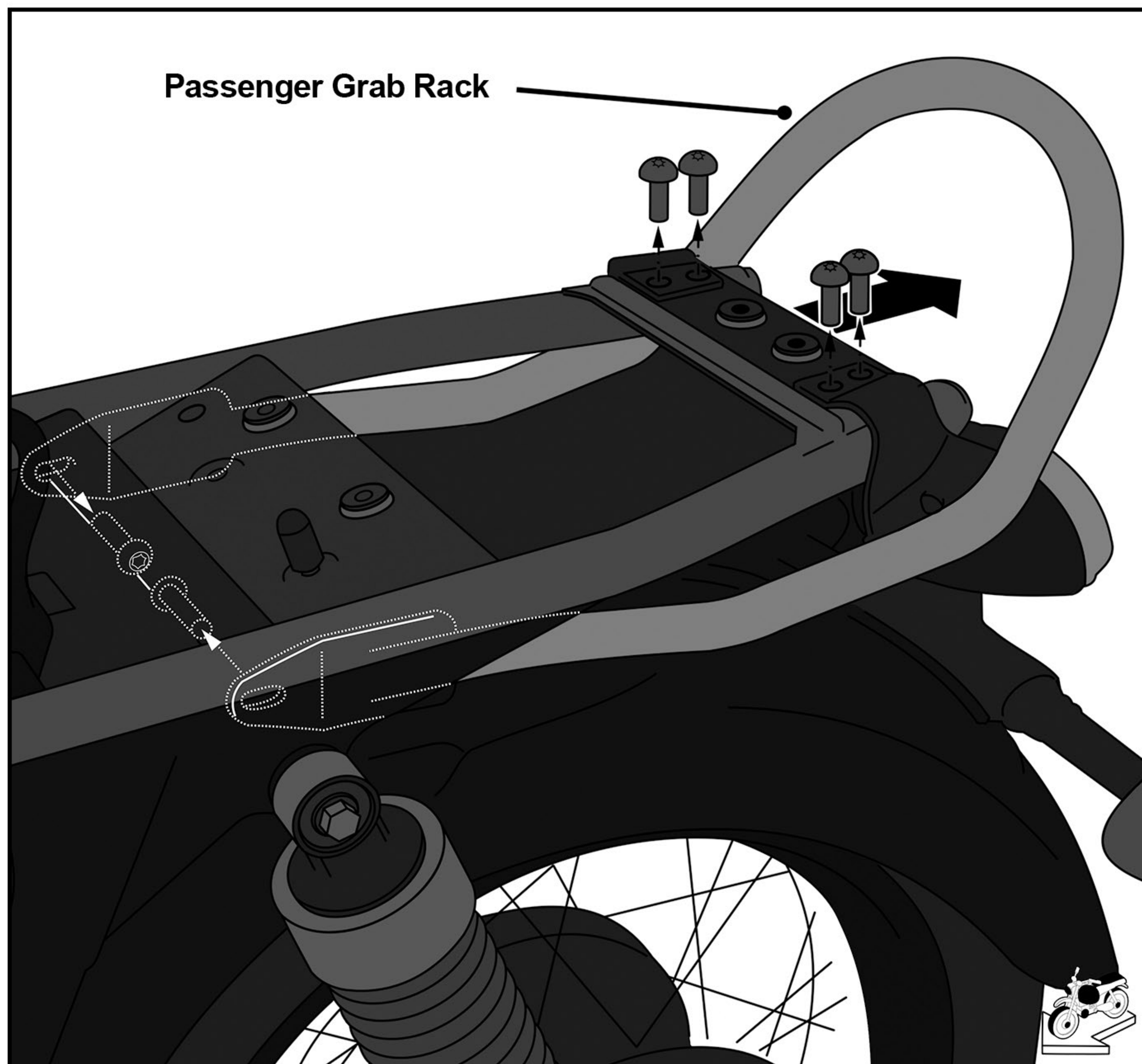


Fig 3. Removing the passenger grab rack

Step 4:

Attach the left mounting plate on the inner side of the motorcycle frame, as shown in Fig 4. Make sure to position the mounting plate between the motorcycle frame and the plastic cover, ensuring accurate alignment. Thoroughly inspect the placement and attachment of the mounting plate, verifying its secure positioning between the vehicle frame and the plastic cover.

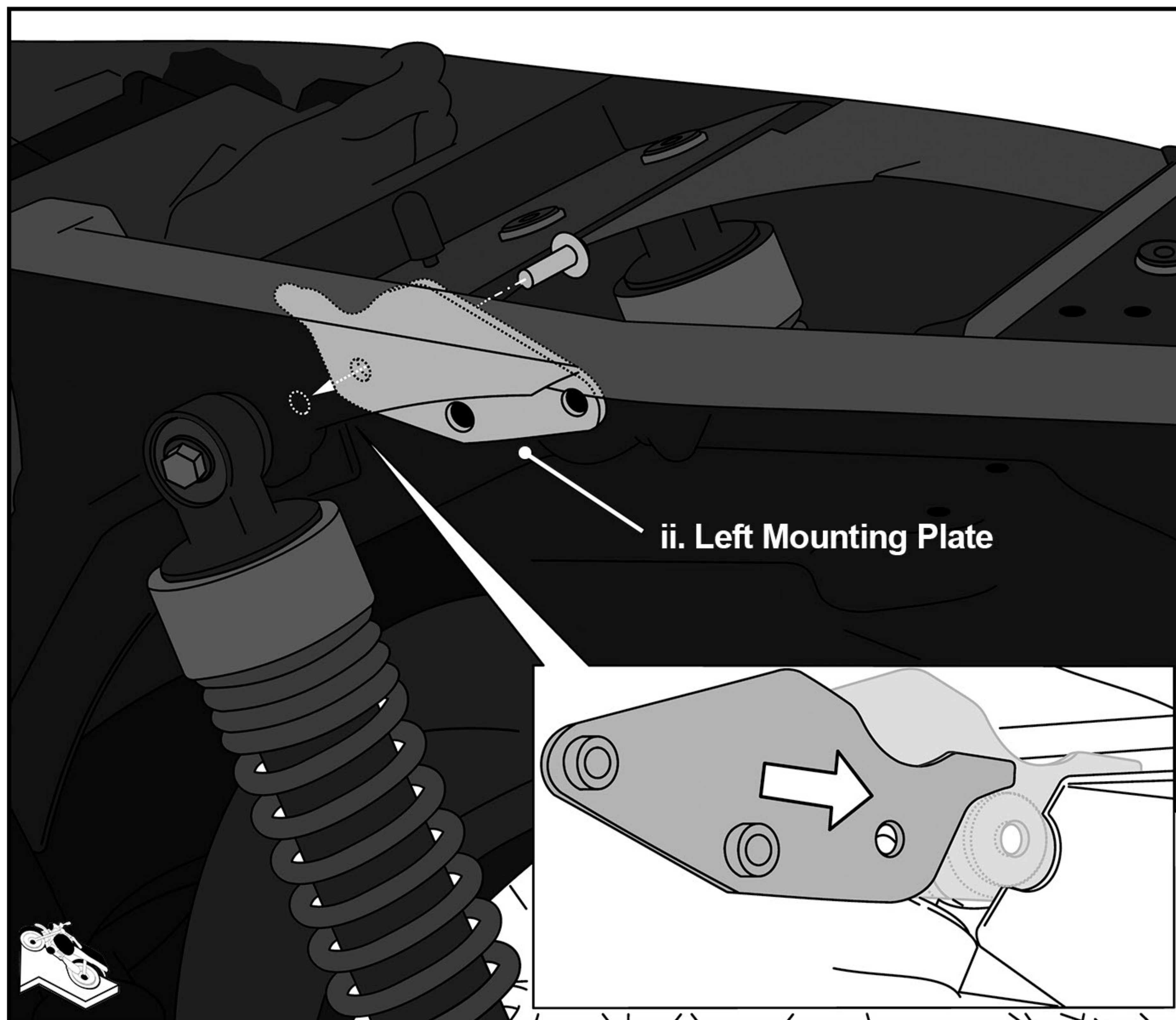


Fig 4. Attaching the left mounting plate

Step 5:

Install the left mounting bracket to the motorcycle frame as shown in Fig 5.

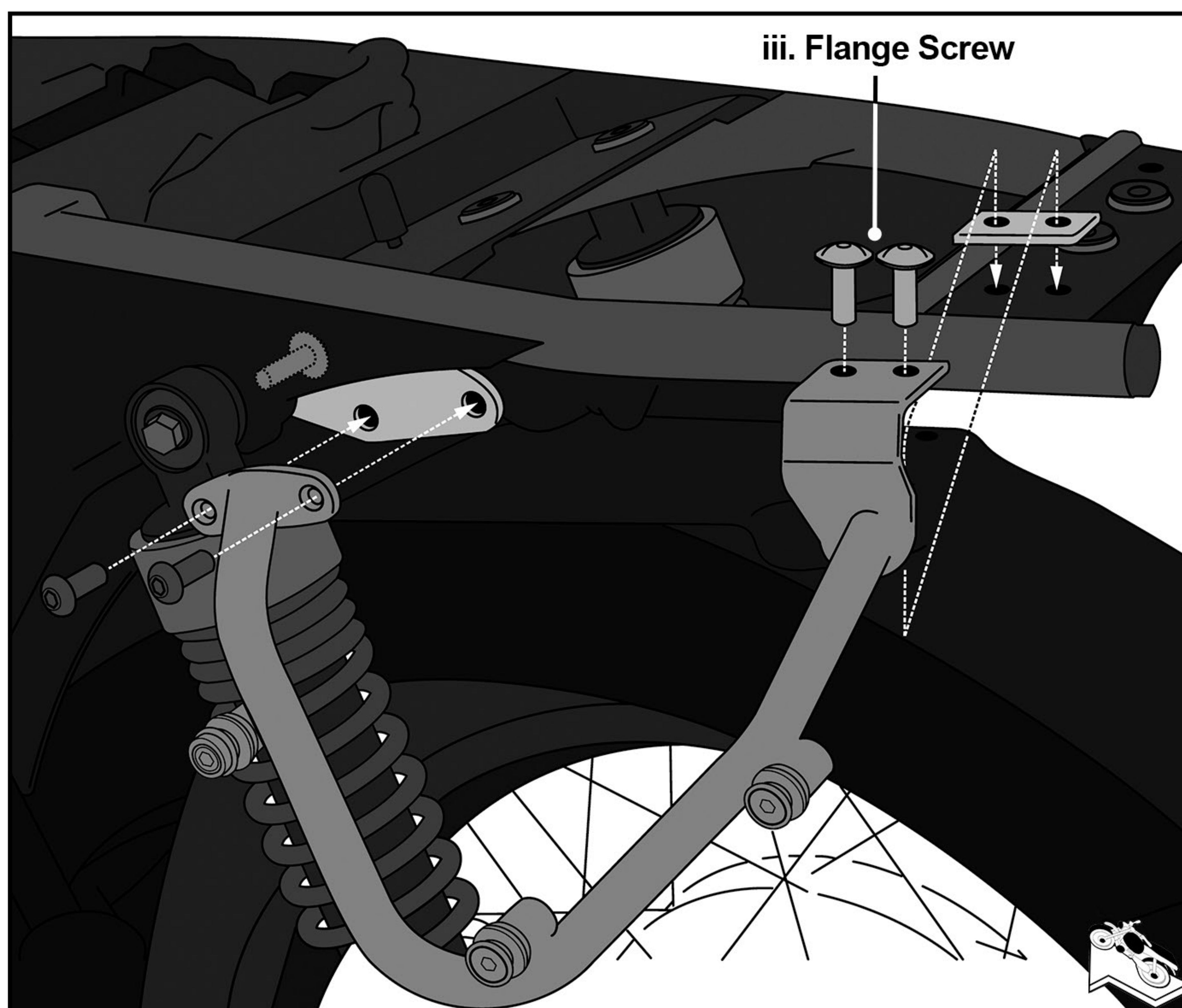


Fig 5. Removing the passenger grab rack

Step 6:

Now attach back the mudguard, the wiring unit, and the motorcycle seat with the OEM screws.

Step 7:

Finally, use the pre-installed adapter plate in the back of the Viking Detachable Solo Bag to mount it on the bracket as shown in Fig 6.

Press the Solo Bag onto the mounting pegs until it properly rests on the bracket.

To release the bag, press the lever or pull the quick-release cord.

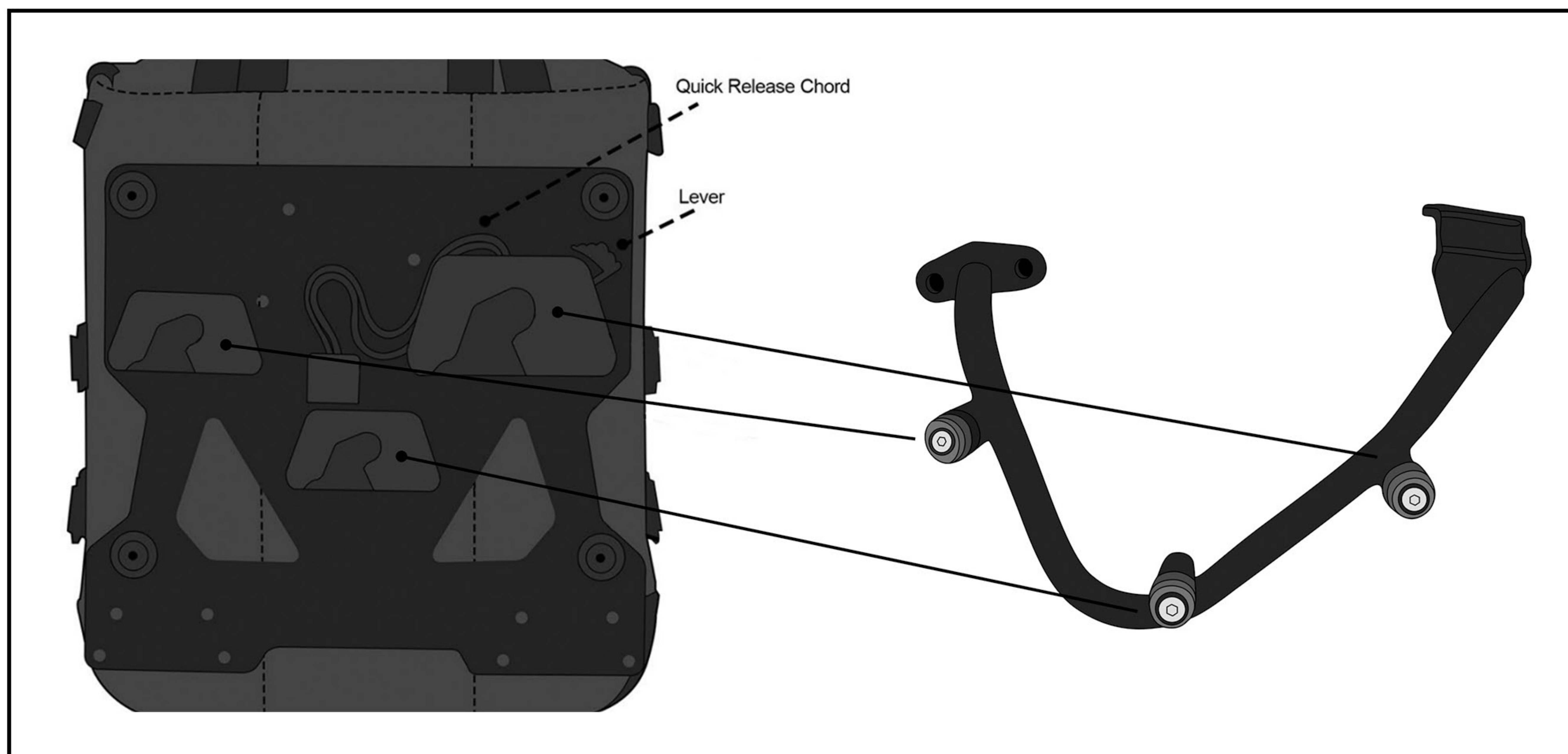


Fig 6. Installing the bracket

**Congratulations, your Viking Incognito Solo Bag is installed
and you are ready to ride!**

Warnings!

- Do not install if any of the mounting straps are damaged or impaired.
- If you have any questions or concerns about the installation, call Viking Bags or consult your local mechanic
- Ensure no part of the bag constructs any of the moving parts of the bike
- Viking Bags is not liable for any damage or malfunctions caused to your motorcycle during the installation process
- Improper loading can cause vehicle handling problems leading to death or severe injury