

Installation Manual: Viking Canvas Bag



Parts Include:

- i Messenger Bag
- ii Shoulder Straps

Note:

A Sissy Bar or a backrest pad is necessary for bag installation. When attaching the bag behind the passenger, a luggage rack is required.

Tip:

You can connect the hooks of the padded shoulder straps to the D-ring at the bottom of the bag and rest it on your back.

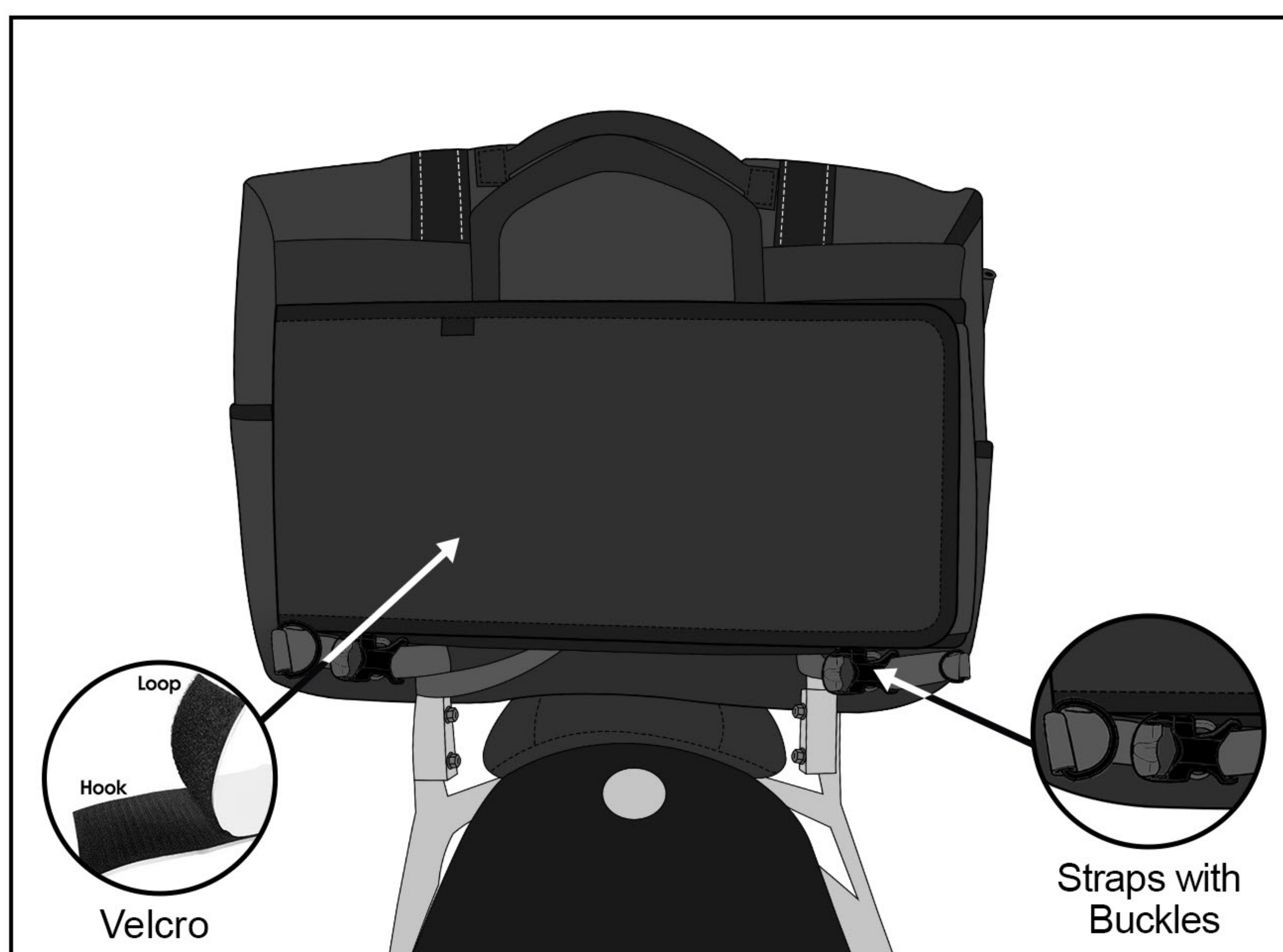
Instructions:

Step 1

Adjust the velcro straps over the backrest pad or sissy bar.

Step 2

Wrap the straps with buckles at the bottom on both sides around the sissy bar uprights. Lock the buckles as shown in Fig 1. Adjust and tighten the straps to secure the bag to the bike.



(Fig 1 - The bag wrapped around the backrest pad using velcro straps)

Step 3

Stow away any loose straps that can get in the way of any moving parts of the bike.

Warnings !

- Avoid using any mounting part that is impaired or not working properly.
- Ensure no part of the bag obstructs any of the moving parts of the bike
- In case you are unsure about your ability to install the saddlebags securely, please seek assistance from a qualified mechanic.
- Viking Bags is not responsible for any damage or injury resulting from improper use of the product.