



# INSTALLATION INSTRUCTIONS

[www.vikingbags.com](http://www.vikingbags.com)

888-208-1949 | [support@vikingbags.com](mailto:support@vikingbags.com)

## VIKING DIABLO SOLO BAG FOR SOFTAILS

### Parts

Solo Bag  
Bolts x 2  
Spacer x 2  
Washers x 4

### Instructions

#### **Step 1**

Remove Fender Bolts.

#### **Step 2**

From inside, pass the provided bolt through a washer, then through one of the holes in the back of the bag, then again through a washer and finally through a provided spacer. Repeat for the other hole.

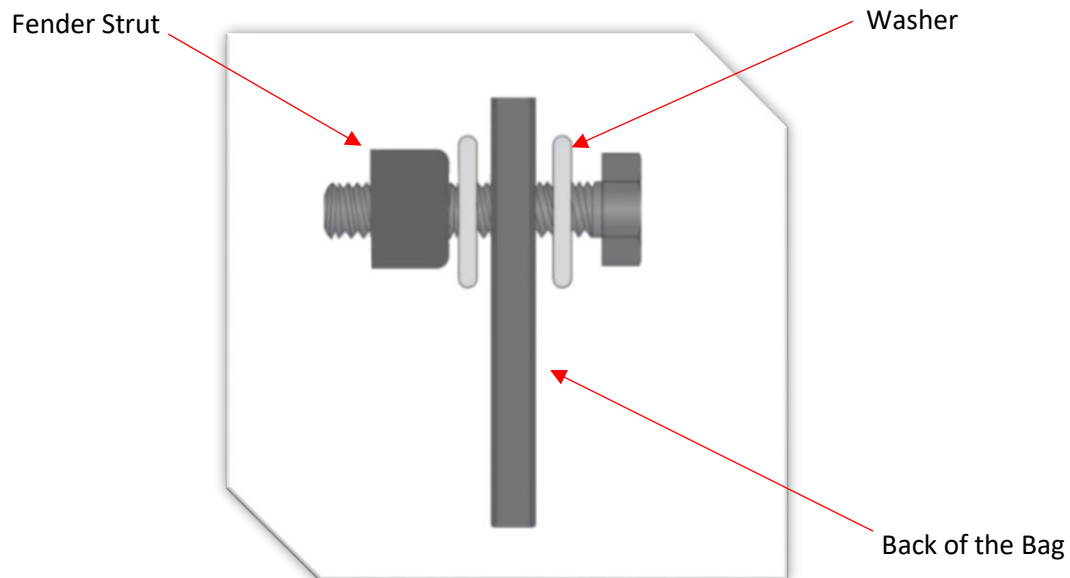


Fig A



# INSTALLATION INSTRUCTIONS

www.vikingbags.com

☎ 888-208-1949 | ✉ support@vikingbags.com

## **Step 3**

With bolts protruding out from the back of the bag, insert the bolts into the two fender holes (where you removed the fender bolts), and tighten.

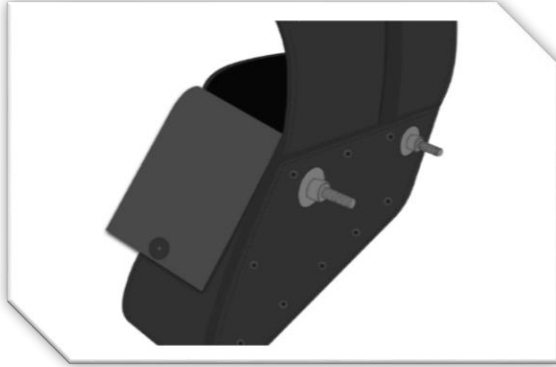


Fig B

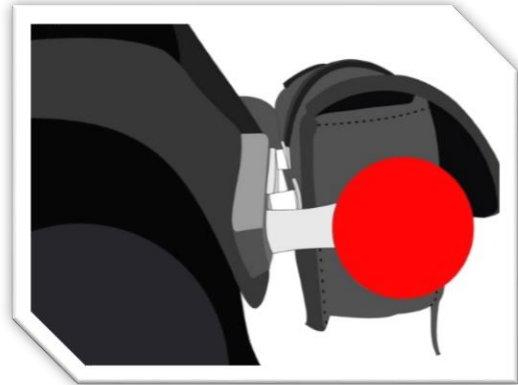


Fig C

## **Step 4**

Congratulations! Your bag is now mounted, and you are ready to ride.



Fig D

## **⚠ Warnings**

- ✓ Avoid usage of any mounting part that is impaired or is not working properly.
- ✓ Sporadically check for shifting of the bag and verify that no part of the mounting system is interfering with any part of the motorcycle while riding. This includes the drive train, suspension, brakes and wheels.
- ✓ It is important to note that if you do not mount these saddlebags properly damage will be caused to the saddlebags and/or motorcycle. If bag is securely installed, no part of the mounting system or bags should touch the motorcycle while in operation.
- ✓ It is highly dangerous to operate a motorcycle if the saddlebags are not installed correctly. We suggest you find a motorcycle mechanic for further assistance in the event you have doubts about your abilities to install the product securely.
- ✓ Viking Bags is not responsible for any damage or injury caused due to improper mounting of the bag.