



INSTALLATION INSTRUCTIONS

www.vikingbags.com

888-208-1949 | support@vikingbags.com

VIKING DELLINGR SOFTAIL MOTORCYCLE SWING ARM BAG INSTRUCTION

Parts Included

Swing arm bag
Mounting Straps x 3

Instructions

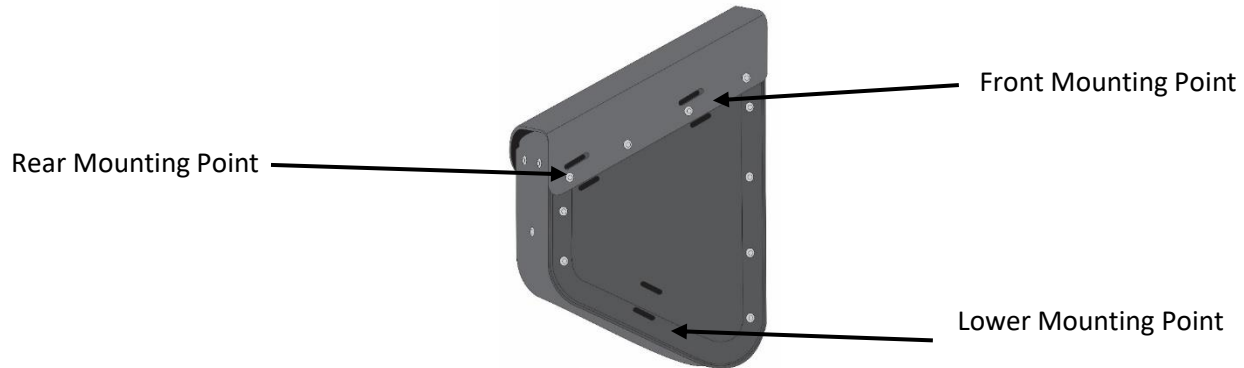


Fig (A)

Step 1

From inside, insert the mounting strap in the top slot of the lower mounting point. Wrap the strap around the rear of the lower swing arm and insert it back in the bag through the bottom slot of the lower mounting strap. Attach the strap loosely to hold the bag in place.

Step 2

From inside, insert the mounting strap in the top slot of the Front mounting point. Wrap the strap around the front of the upper swing arm and insert it back in the bag through the bottom slot of the lower mounting strap. Attach the strap loosely.

Step 3

From inside, insert the mounting strap in the top slot of the rear mounting point. Wrap the strap around the rear of the upper swing arm and insert it back in the bag through the bottom slot of the lower mounting strap. Attach the strap loosely.

Step 4

Tighten all three straps one by one.

⚠ Warnings

- ✓ Avoid usage of any mounting part that is impaired or is not working properly.
- ✓ Periodically, check for shifting of the bag and verify that no part of the mounting system is interfering with any part of the motorcycle while riding. This includes the drive train, suspension, brakes or wheels.
- ✓ If bags are securely installed, no part of the mounting system or bags should touch the motorcycle while in operation.