

Viking Bags Darkin Quick Mount Saddlebag Installation Guide:



Parts:

- i Docking Post x4
- ii 1/2" spacers x4
- iii 1/4" spacers x4
- iv Nuts x4
- v 3/8" x 3" Bolts x4
- vi 3/8" x 1.85" Bolts x4
- vii Fitment Gauge x1

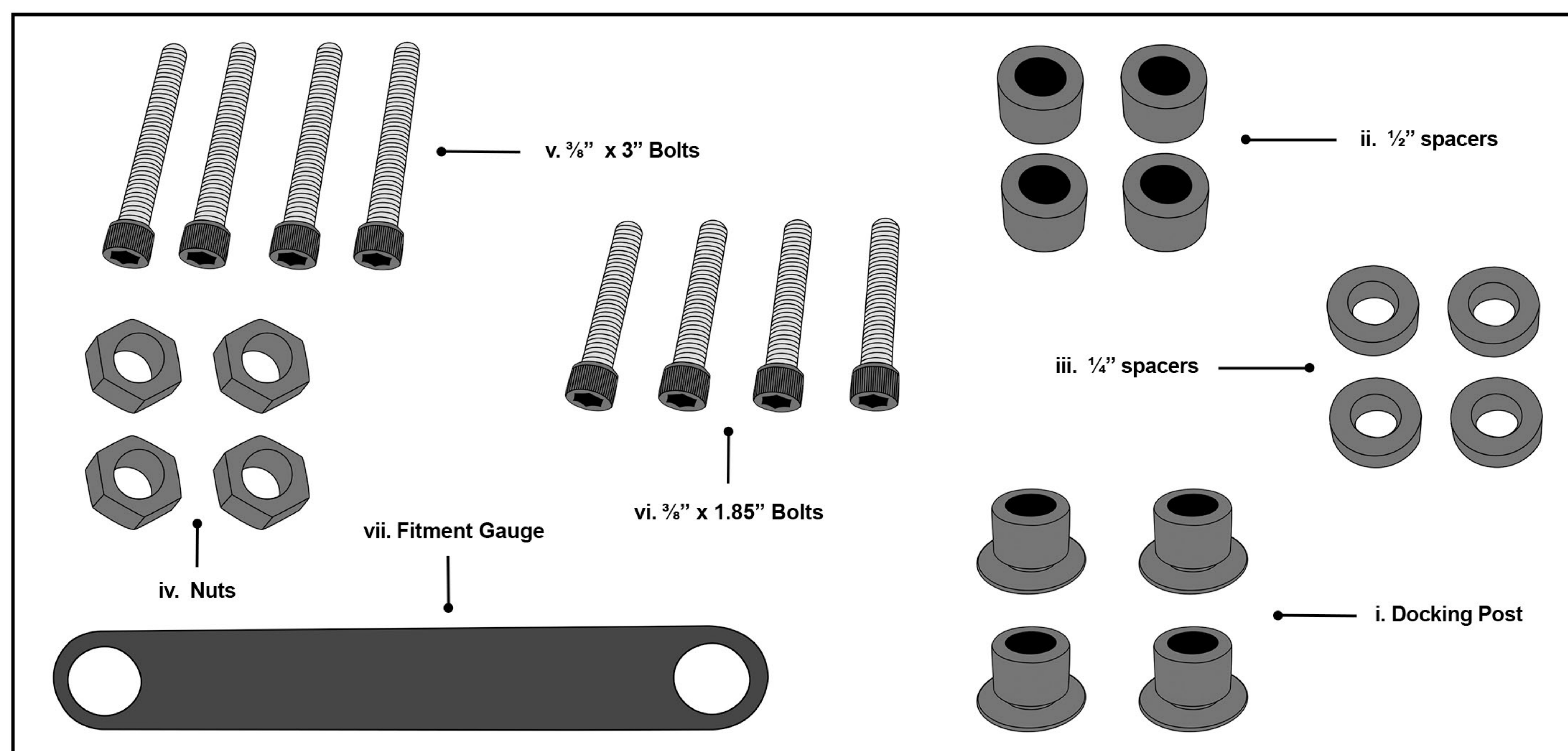
Note:

- i Use Loctite thread locker for proper adhesion of the bolts.
- ii The kit includes 1/2" spacers and supplementary 1/4" spacers to accommodate various configurations of your motorcycle.
- iii The kit includes 3/8" x 1.85" bolts to mount the bag on your standard motorcycle setup and supplementary 3/8" x 3" bolts to accommodate your motorcycle with sissy bars or any other after-market parts.
- iv Pre-assemble the bolts by inserting them through the docking post with the narrow end towards the bolt head, followed by a spacer (Fig 1. Bolt Configuration).

Tools Needed:

- i Combination Wrench

Parts Diagram:



Parts Diagram

Instructions:

Step 1:

Remove all 4 OEM fender bolts (2 from each side)

Step 2:

Note: Misalignment of the bolts can prevent the bag's bracket from securely fitting onto the docking posts, consequently preventing the lock from engaging. (Step 3 shows how to align the bolts correctly)

Replace the bolt in your fender strut with a new bolt provided in the kit. Insert the bolt through the docking post with the narrow end towards the bolt head, followed by a spacer (Fig 1. Bolt Configuration). Repeat for the remaining bolts.

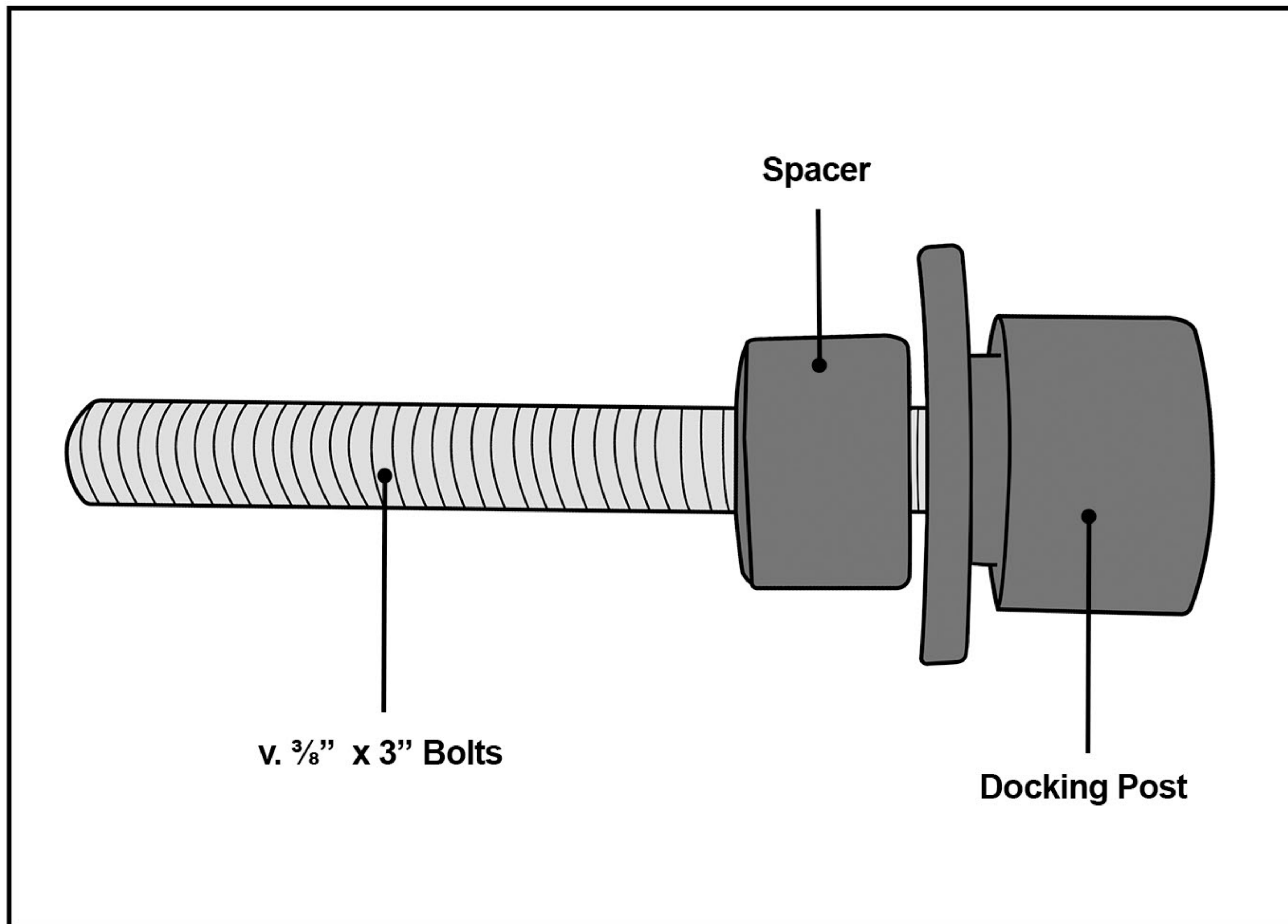


Fig 1. Bolt configuration

Step 3:

Use the docking-post fitment gauge and position the gauge onto the docking posts, ensuring it envelops the post. Proceed to fasten the bolts according to your specific needs. Once bolts are securely tightened, remove the gauge. (See Fig 2)

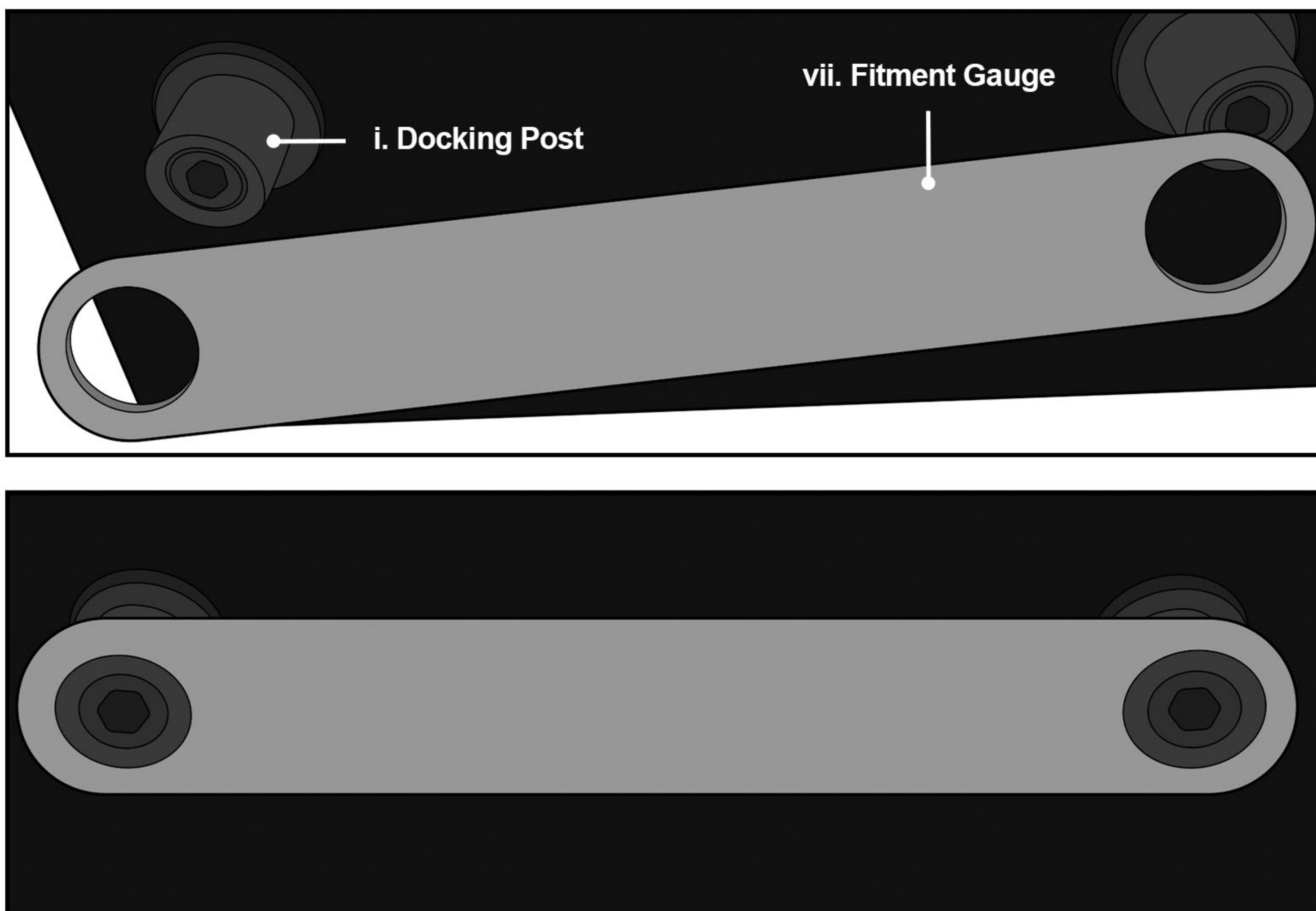


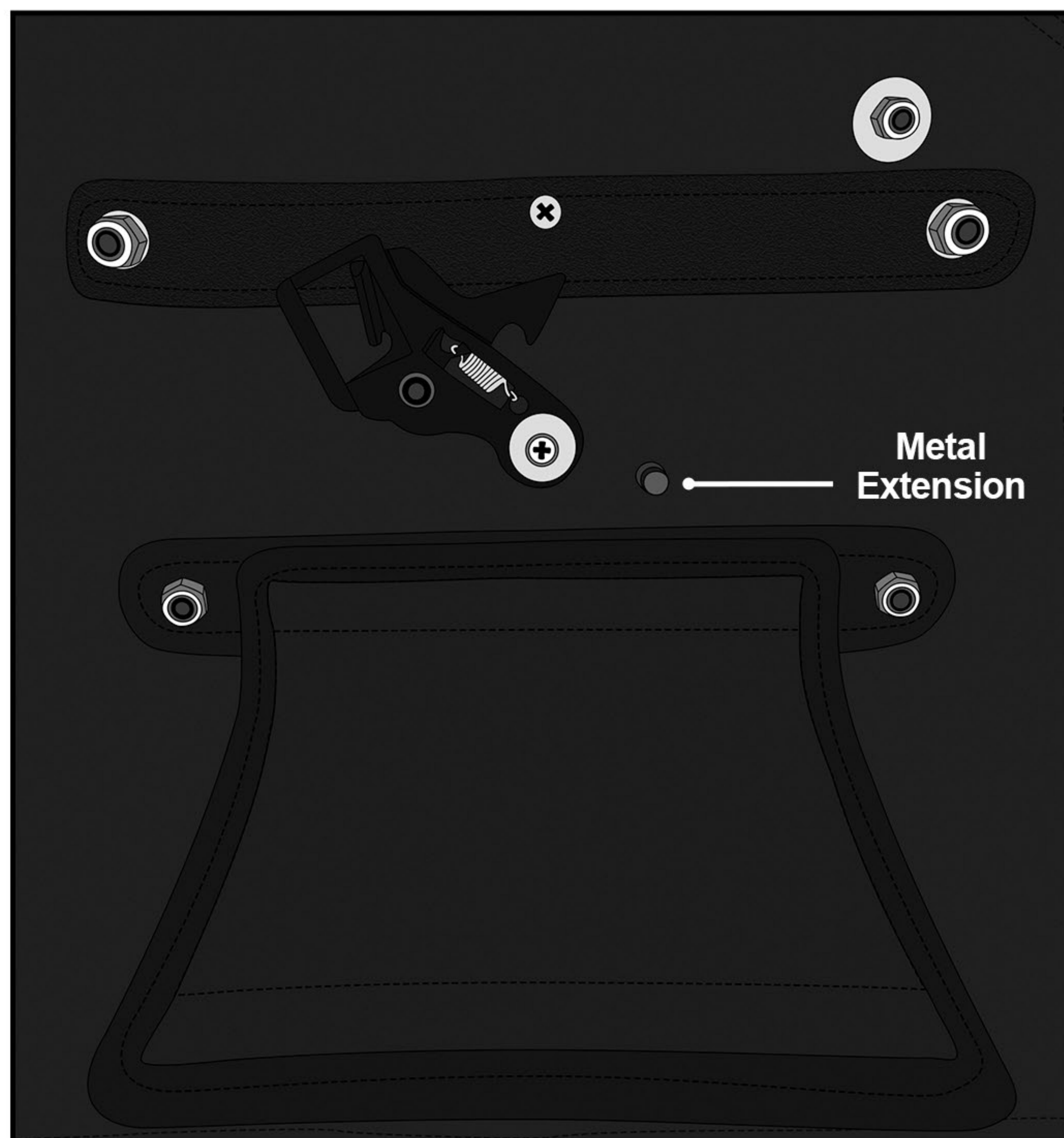
Fig 2. Use the fitment gauge to align the bolts

Step 4:

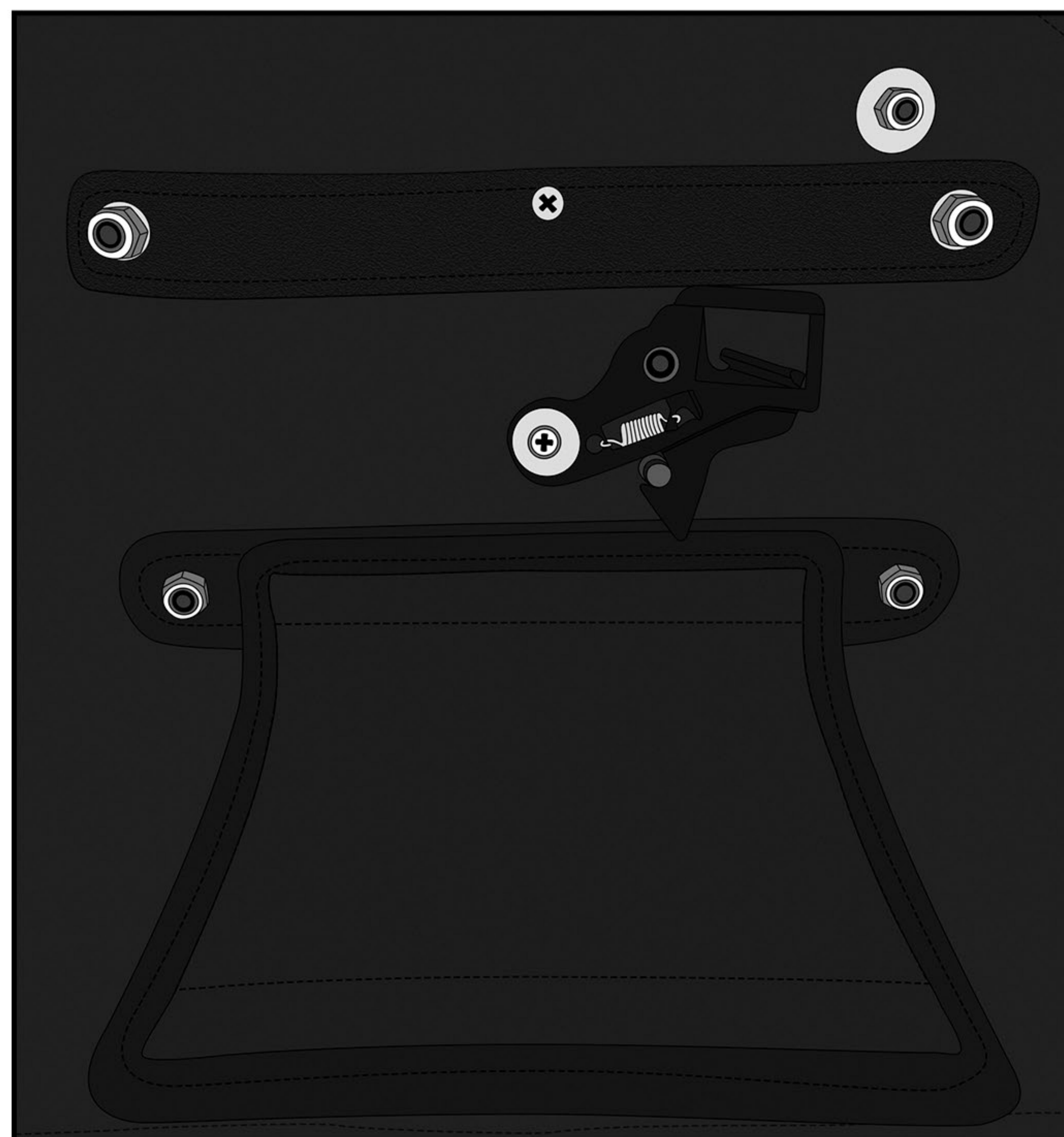
Once the new bolts are installed, you are ready to mount the bags. Pull the lever up on the bracket located inside the bag to unlock it and slide the bag onto the docking posts making sure the bracket sits on the contour of the docking post.

Step 5:

After mounting both bags, push the levers down until they click and latch onto the metal extension to ensure they remain secure.



lever unlocked



lever locked

Detaching the bags:

You can quickly detach the bag by lifting the lever on the bracket. They come with a pair of keys to lock the opening of your bag for theft prevention.

Congratulations, your Viking Darkin Quick Detach Saddlebags are installed and now you are ready to ride!

Warnings!

- Do not install if any of the mounting hardware is damaged or impaired.
- Make sure the lever clicks to fully secure the bag in the locking position before riding
- If you have any questions or concerns about the installation, call Viking Bags or consult your local mechanic
- Ensure no part of the bag constructs any of the moving parts of the bike
- Viking Bags is not liable for any damage or malfunctions caused to your motorcycle during the installation process
- Improper loading can cause vehicle handling problems leading to death or severe injury.