

# Viking Battle Axe Sissy Bar Kawasaki Vulcan S Installation Guide:



## Parts:

i	Sissy Bar Side Support	x2
ii	Sissy Bar Luggage Rack	x1
iii	Sissy Bar Base	x1
iv	M8 x 20mm Screw	x4
v	M8 x 25mm Bolt	x4
vi	Washers	x4
vii	Nuts	x4

## Tools Needed:

- i 3/8 metric drive socket set
- ii A flat-blade or Philips screwdriver
- iii Torque wrench

## Instructions:

### Step 1:

Remove the plastic cap from the motorcycle fender. Then remove the fender strut cover using a wrench.

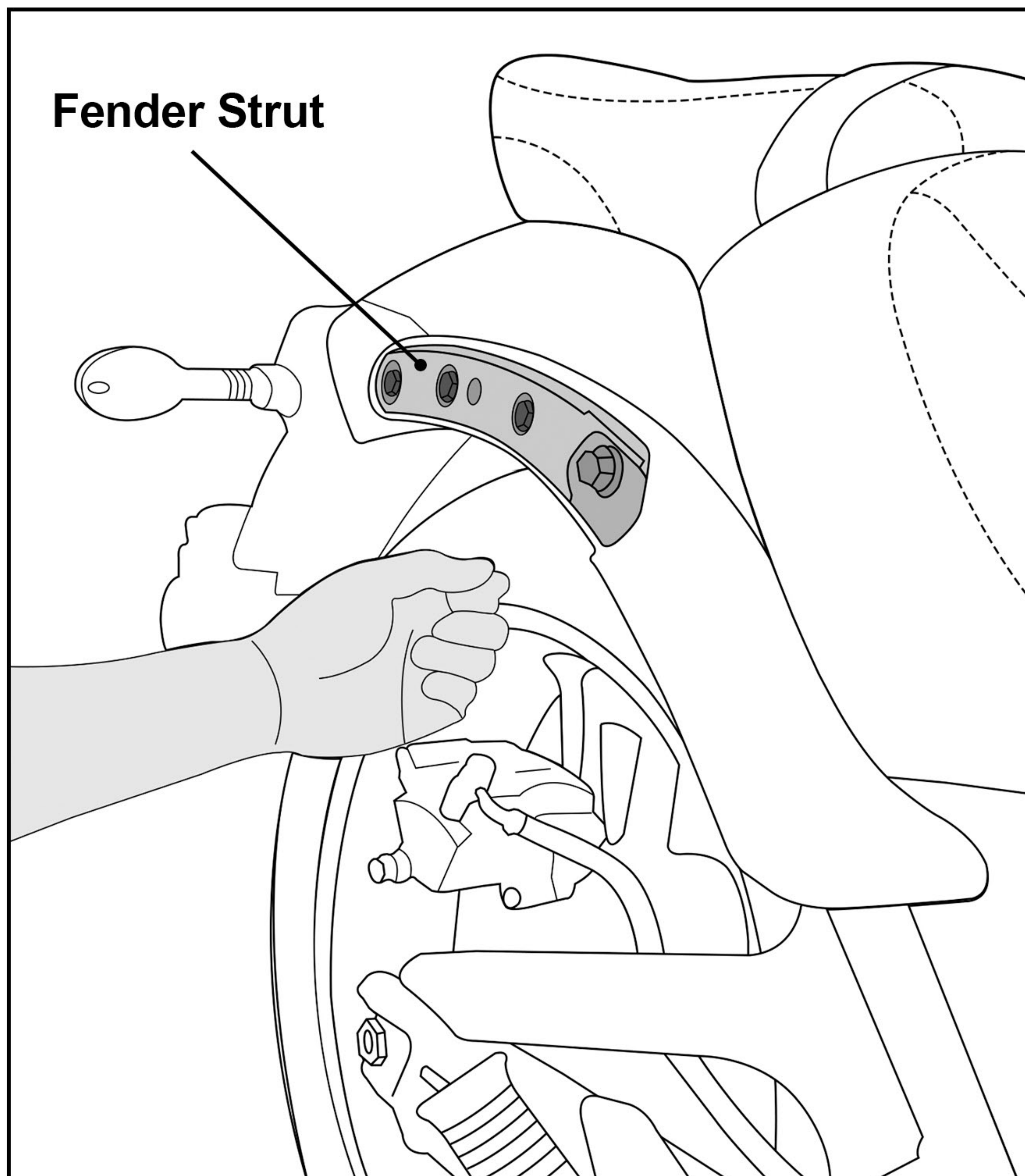


Fig 1. Removing the fender strut

## Step 2:

Assemble the sissy bar using all the provided parts, making sure the rubber foam pads are facing towards the fender strut to avoid scratches on the paint.

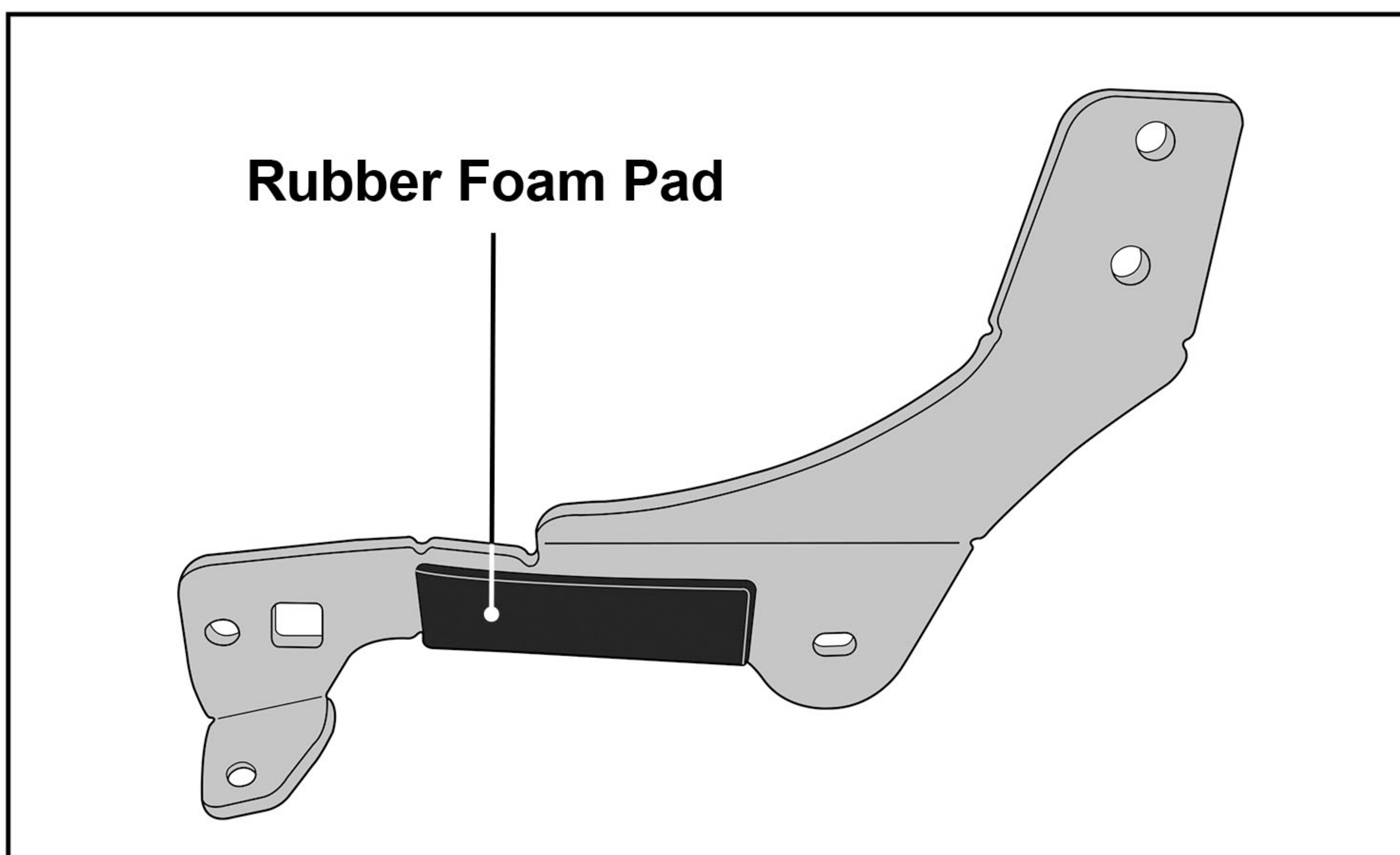


Fig 2. Rubber foam pad

## Step 3:

Once assembled, mount the sissy bar onto the bike. See Fig 3.

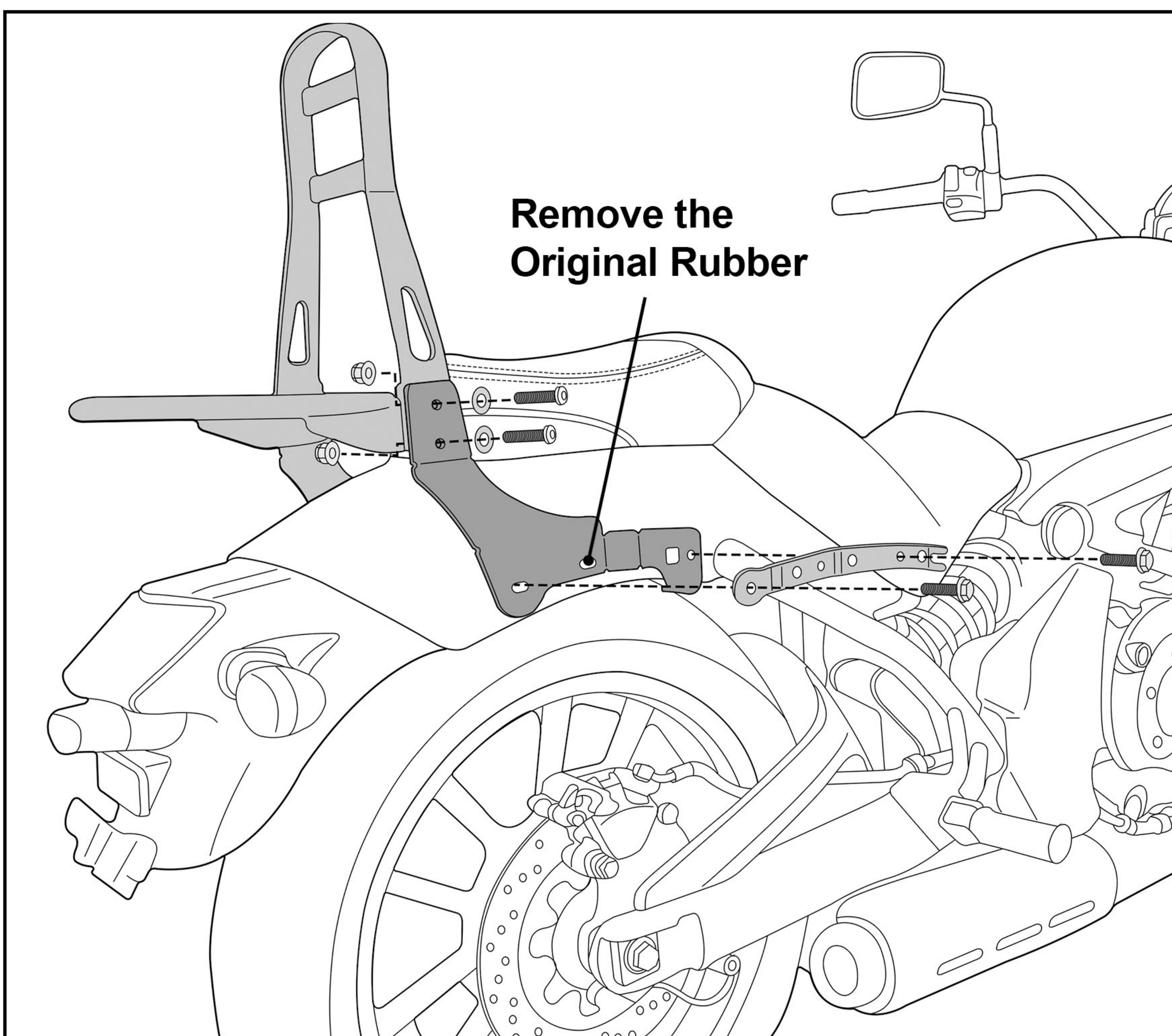


Fig 3. Sissy Bar Configuration

# **Congratulations! You have successfully installed Viking Battle Axe Sissy Bar for Kawasaki Vulcan S**

## **Warnings!**

- Do not install if any of the mounting hardware is damaged or impaired.
- If you have any questions or concerns about the installation, call Viking Bags or consult your local mechanic
- Ensure no part of the bag constructs any of the moving parts of the bike
- Viking Bags is not liable for any damage or malfunctions caused to your motorcycle during the installation process
- Improper loading can cause vehicle handling problems leading to death or severe injury.
- Periodically check the bolts on your bike for tightness.