



INSTALLATION INSTRUCTIONS

www.vikingbags.com



888-208-1949 |



support@vikingbags.com

VIKING BACKREST ORGANIZER KIT INSTRUCTION

Parts

Rider backrest organizer (with strings and string locks)

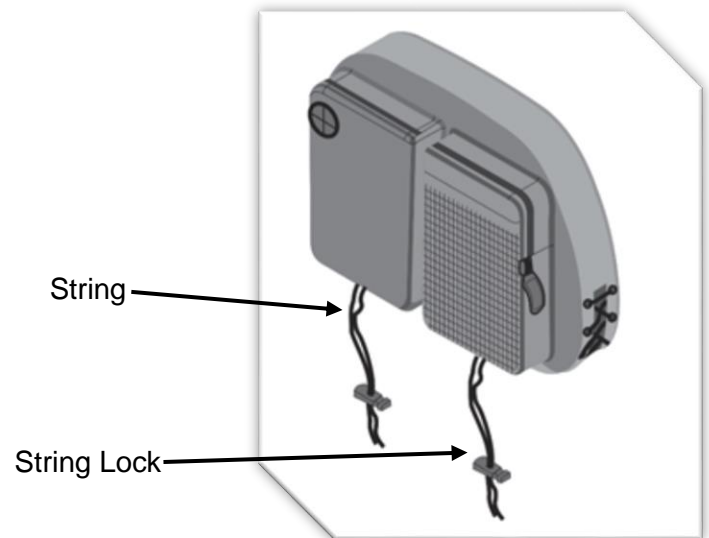


Fig.1. Rider Backrest Organizer Kit

Instructions

Step 1

Press the string lock buttons and slide the locks close to the end of the lacing strings.

Step 2

Loosen the strings to allow the bottom opening of the organizer to be opened enough.

Step 3

Now slide the backrest organizer onto the backrest.

Step 4

Once in proper position, pull the strings to tighten the organizer and slide the locks up as close to the organizer as possible.

⚠ Warnings

- ✓ Never ride with improperly installed equipment as it can be potentially hazardous.
- ✓ Always make sure that the zippers are properly closed before riding.