

Viking Apex Aluminium Side Case Installation Guide For Triumph Tiger 1200:



Parts:

i	Side Cases	
ii	Mounting Bracket	x2
iii	Mounting Post	x4
iv	Tail Light Bracket	x1
v	Mounting Support	x2
vi	6mm x 35mm Button Head Screw	x8
vii	Flange Nuts	x8
viii	8mm x 30mm Hex Socket Screw	x4
ix	Big Washer	x4
x	Small Washer	x8
xi	Spacer	x2
xii	5mm x 25mm Countersunk Screw	x3
xiii	5mm x 12mm Allenkey Bolt	x8
xiv	9mm x 25mm Allenkey Bolt	x4

Tools Needed:

- i Hex Driver Set
- ii Thread Locktite
- iii Wrench

Tip:

- i Apply Loctite to ensure proper installation of bolts.
- ii Read the installation instructions carefully and make sure that all parts under the parts list are included.

Parts Diagram:

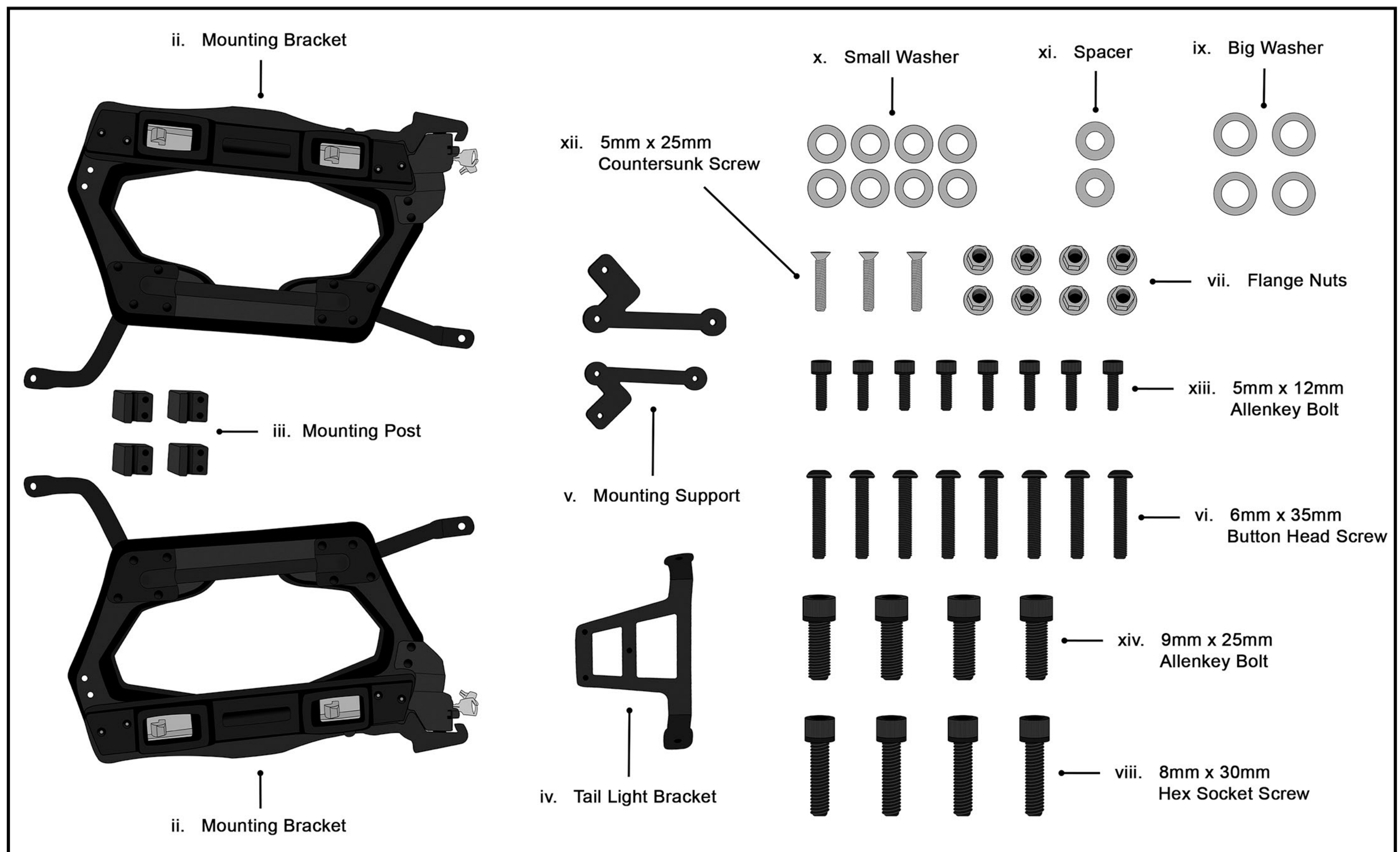


Fig 1. Parts List

Instructions:

Step 1:

Assemble the bracket system by attaching the 4 mounting posts (iii) to the mounting brackets (ii).

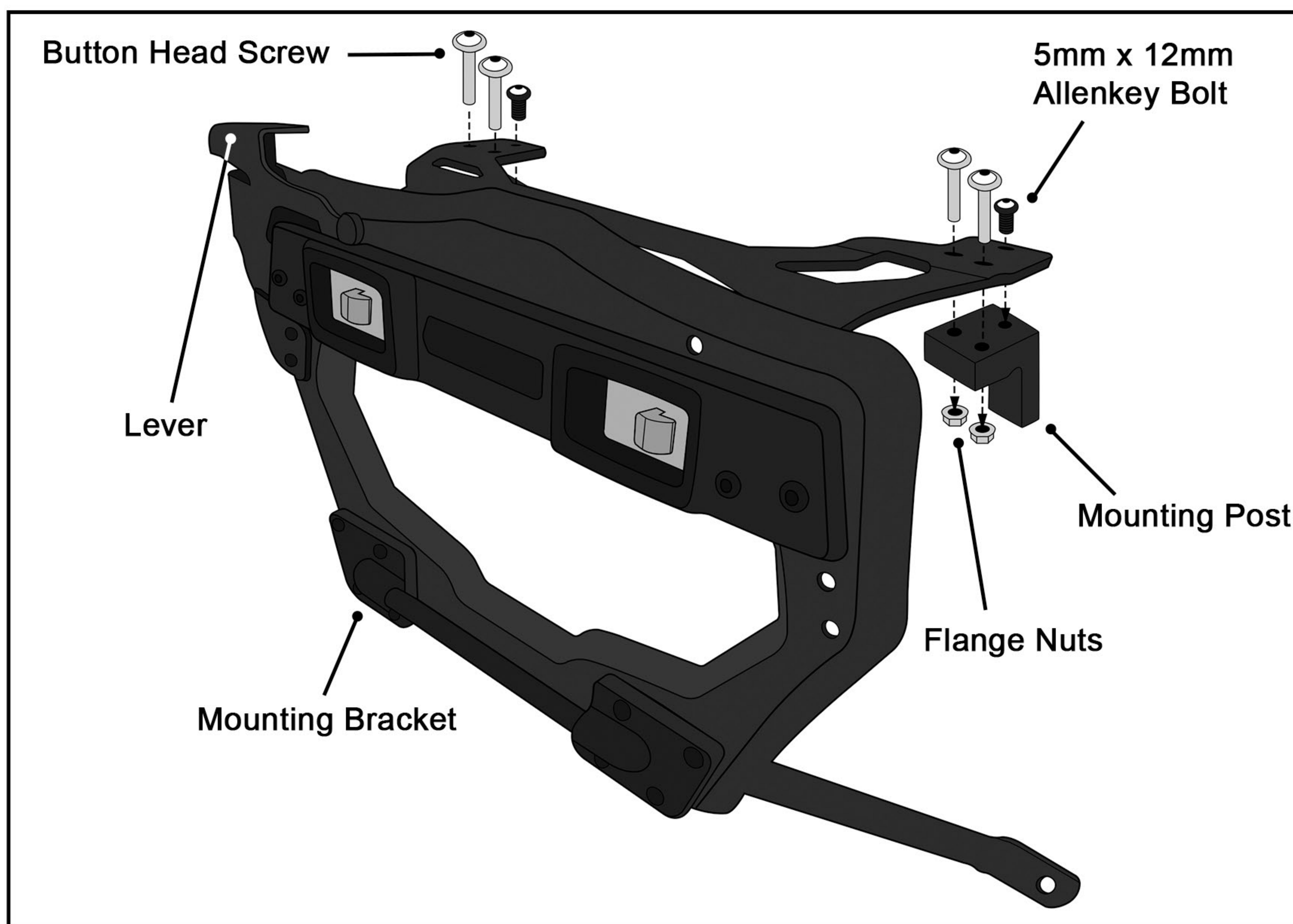


Fig 2. Attaching the mounting posts to the mounting brackets.

Step 2:

Unscrew the passenger footpeg mounts from both sides and attach the mounting support (v) as shown in Fig 3.

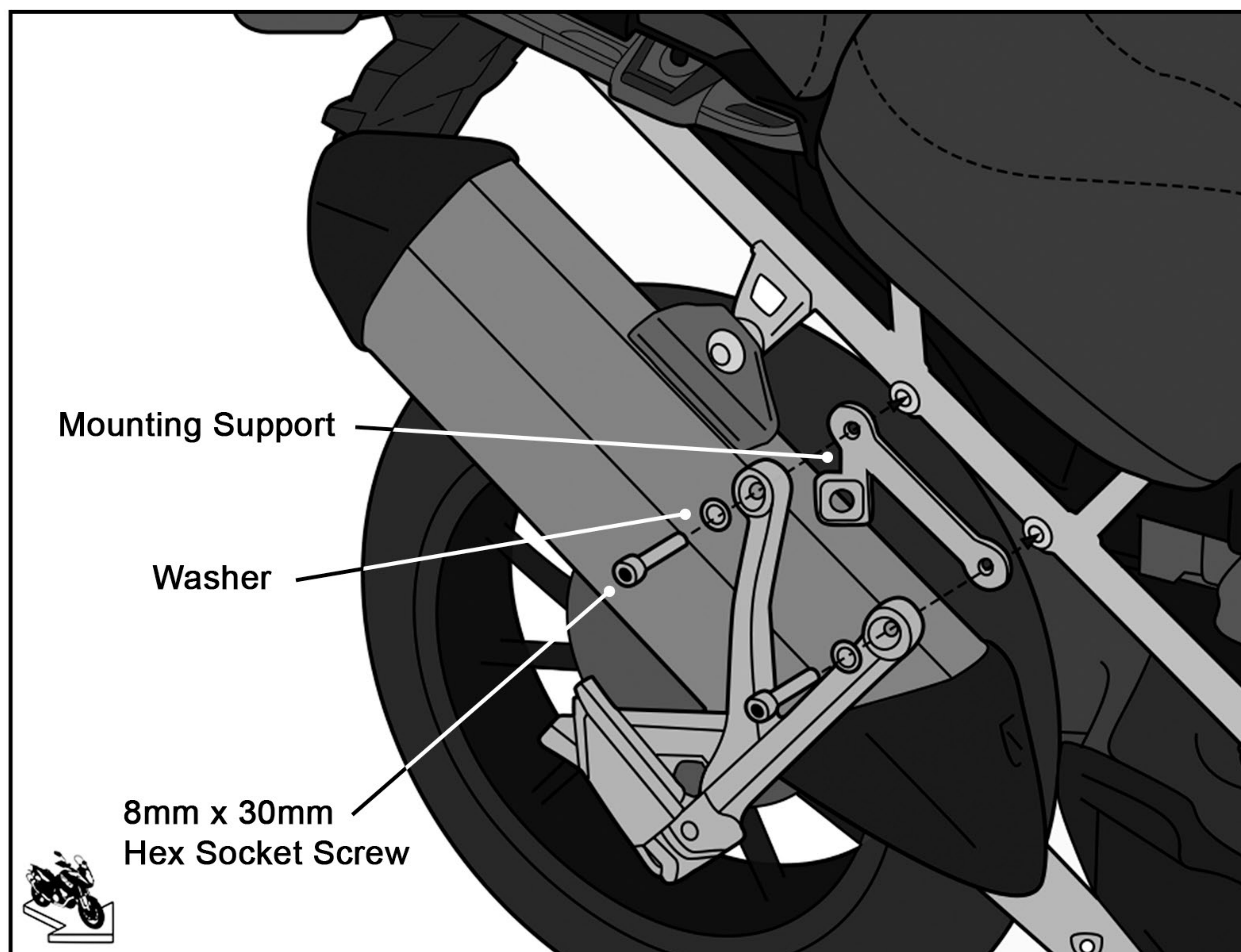


Fig 3. Installing the mounting support

Step 3:

Unscrew the OEM screws from the license plate and attach the tail light bracket (iv) as shown in Fig 4.

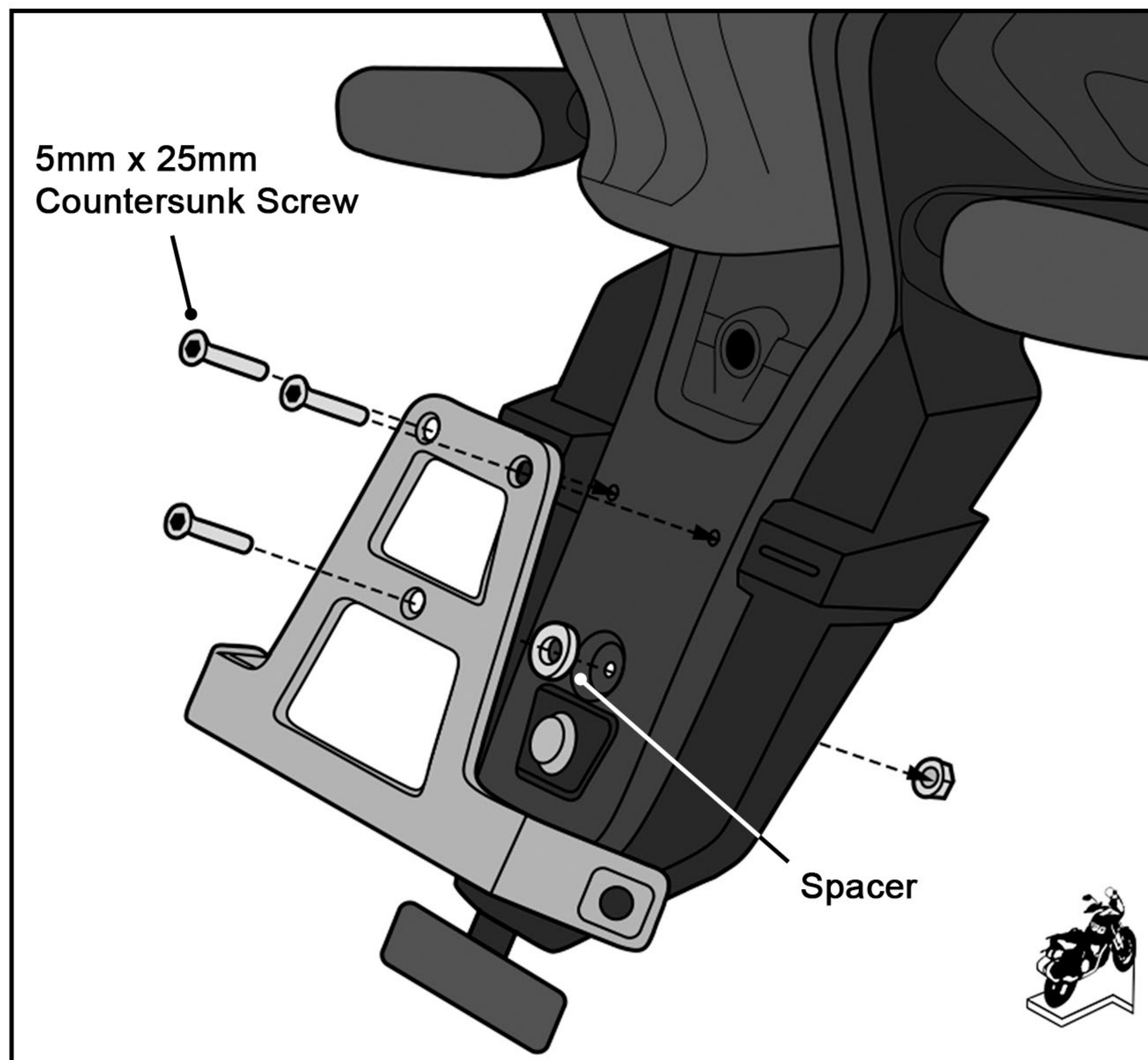


Fig 4. Installing the tail light bracket

Step 4:

Install the mounting post (iii) on both sides, into the opening of the rear passenger grab rack. Then connect the mounting bracket (ii) to the mounting support (v) and the tail light bracket (iv). Repeat the same for the other side.

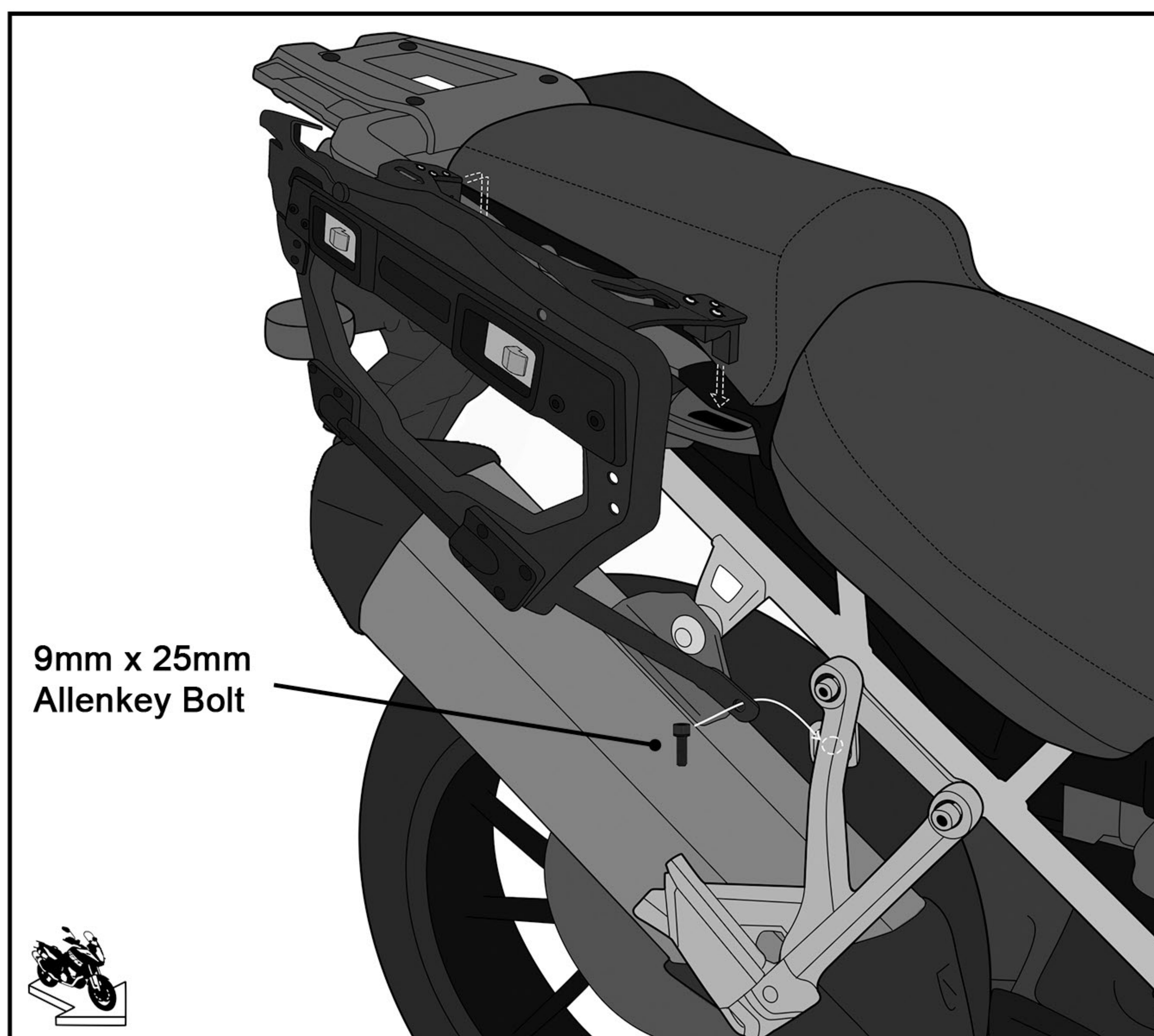


Fig 5. Installing the mounting bracket to the bike

Step 5:

Finally, attach the side cases to the mounting bracket. Pull the lever on the bracket and align the back of the side case to the hooks. Once in place push the lever down to lock the case to the bracket. Repeat the same for the other side.

Congratulations! You have successfully installed the Viking Apex Aluminium Side Cases and now you are ready to ride.

Warnings!

- Do not install if any of the mounting hardware is damaged or impaired.
- If you have any questions or concerns about the installation, call Viking Bags or consult your local mechanic
- Ensure no part of the bag constructs any of the moving parts of the bike
- Viking Bags is not liable for any damage or malfunctions caused to your motorcycle during the installation process
- Improper loading can cause vehicle handling problems leading to death or severe injury.
- Periodically check the bolts on your bike for tightness.