

Viking Apex Panniers Installation Guide For Harley Pan America:



Parts:

i	Panniers	x2
ii	Mounting Bracket	x2
iii	Cross Bar	x1
iv	8mm x 25mm Allen Key Head Bolt	x2
v	8mm Collar Nut	x2
vi	8mm Washer	x6
vii	8mm x 45mm Pan Head Allen Key Bolt	x4
viii	8mm x 30mm Hex Head Flange Bolt	x4

Tools Needed:

- i Hex Driver Set
- ii Thread Locktite
- iii Wrench

Tip:

- i Apply Loctite to ensure proper installation of bolts.
- ii Read the installation instructions carefully and make sure that all parts under the parts list are included.

Parts Diagram:

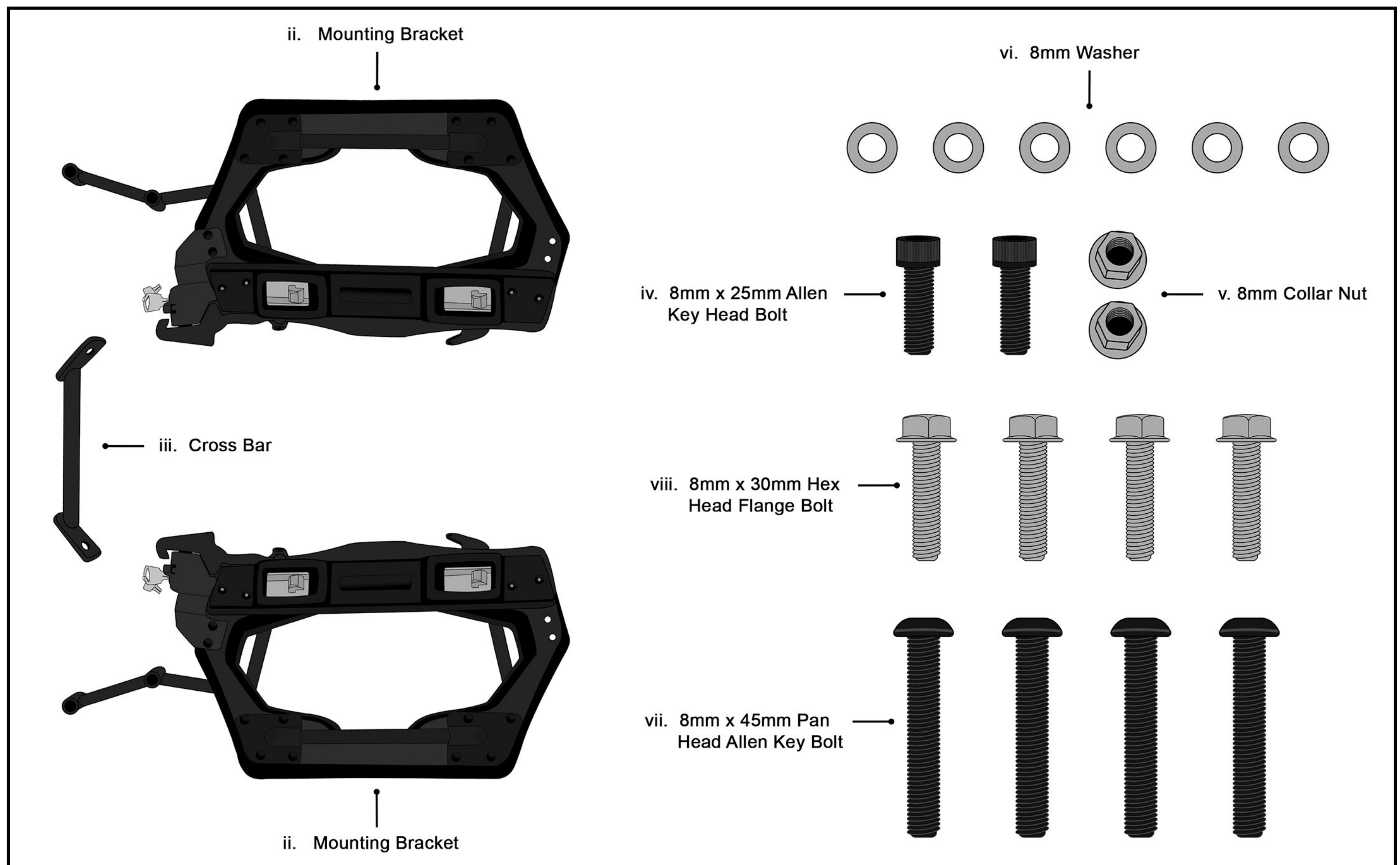


Fig 1. Parts List

Instructions:

Step 1:

Remove the Seat, OEM screws, and passenger footpeg.

Step 2:

Position the left bracket with the fender and passenger footpeg as shown in Fig 2. Repeat the same for the right bracket.

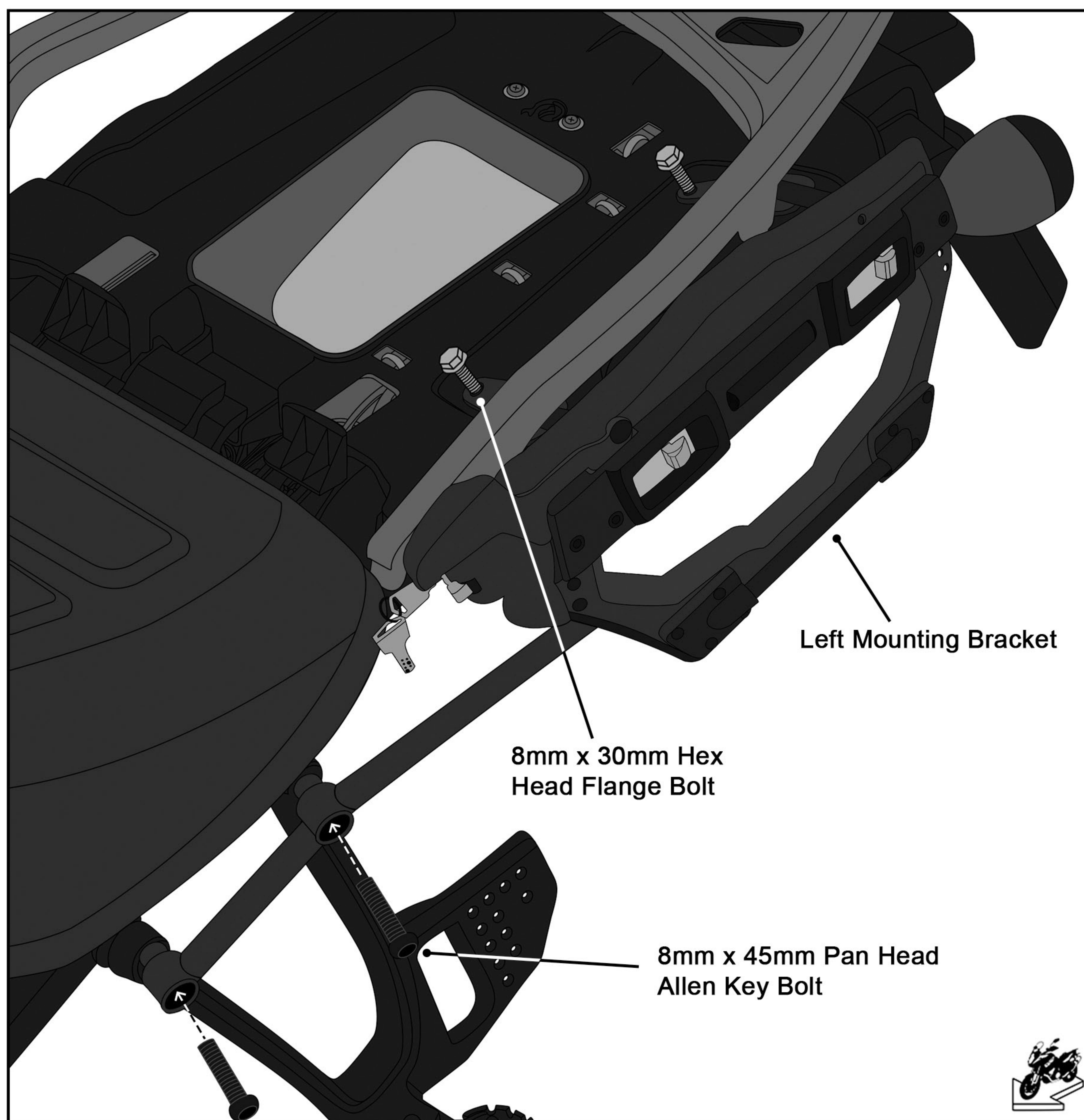


Fig 2. Installing the mounting support

Step 3:

Install the Cross Bar(iii) As shown in Fig 3.

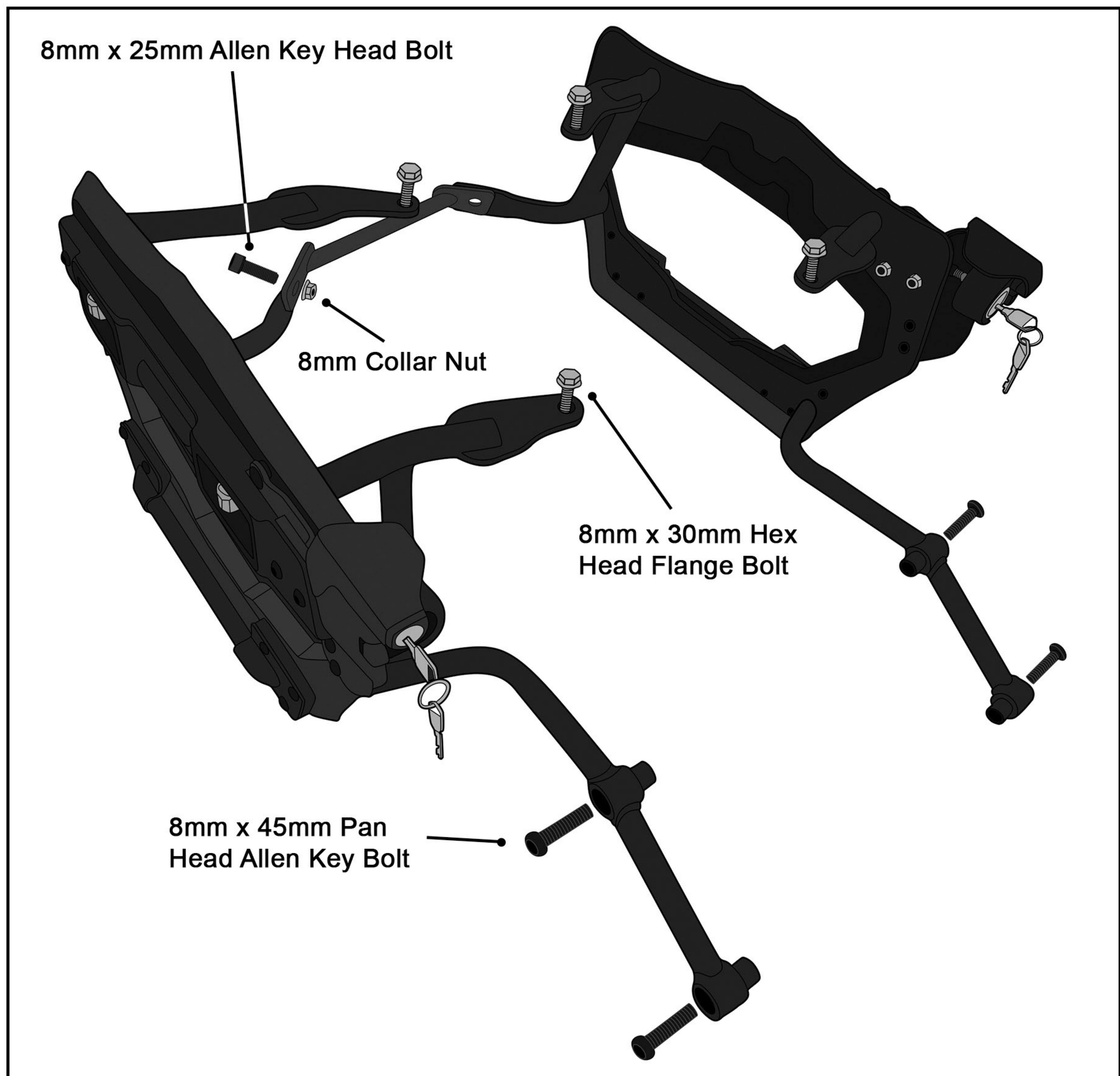


Fig 3. Configuration of the brackets

Step 4:

Make sure both the brackets and the crossbar are positioned and installed correctly. Finally, tighten all the screws and put the seat back on.

Step 5:

Attach the pannier bags to the mounting bracket. Pull the lever on the bracket and align the back of the pannier bags to the hooks. Once in place push the lever down to lock the bag to the bracket. Repeat the same for the other side.

Congratulations! You have successfully installed the Viking Apex Panniers and now you are ready to ride.

Warnings!

- Do not install if any of the mounting hardware is damaged or impaired.
- If you have any questions or concerns about the installation, call Viking Bags or consult your local mechanic
- Ensure no part of the bag constructs any of the moving parts of the bike
- Viking Bags is not liable for any damage or malfunctions caused to your motorcycle during the installation process
- Improper loading can cause vehicle handling problems leading to death or severe injury.
- Periodically check the bolts on your bike for tightness.