

# Viking Apex Panniers Installation Guide For BMW F 750 GS, F 850



**GS/Adv :**

## Parts:

i	Front Mounting Tab	x2
ii	8mm x 55mm Allenkey Bolt	x2
iii	8.4mm Washers	x2
iv	8.2mm x 7.2mm Washers	x2
v	Rear Mounting Tab	x2
vi	8mm x 35mm Allenkey Bolt	x2
vii	8.4mm Washers	x2
viii	8.4 x 5.2mm Washers	x2
ix	Footpeg Mounting Tab	x2
x	8mm x 35mm Allenkey Bolt	x4
xi	8.4mm Washers	x4
xii	Crossbar	x1
xiii	6mm x 25mm Allenkey Bolt	x3
xiv	Spring Washers	x3
xv	6mm Collar Nut	x3
xvi	Mounting Brackets	x2
xvii	9mm x 19mm Allenkey Head Bolt	x8

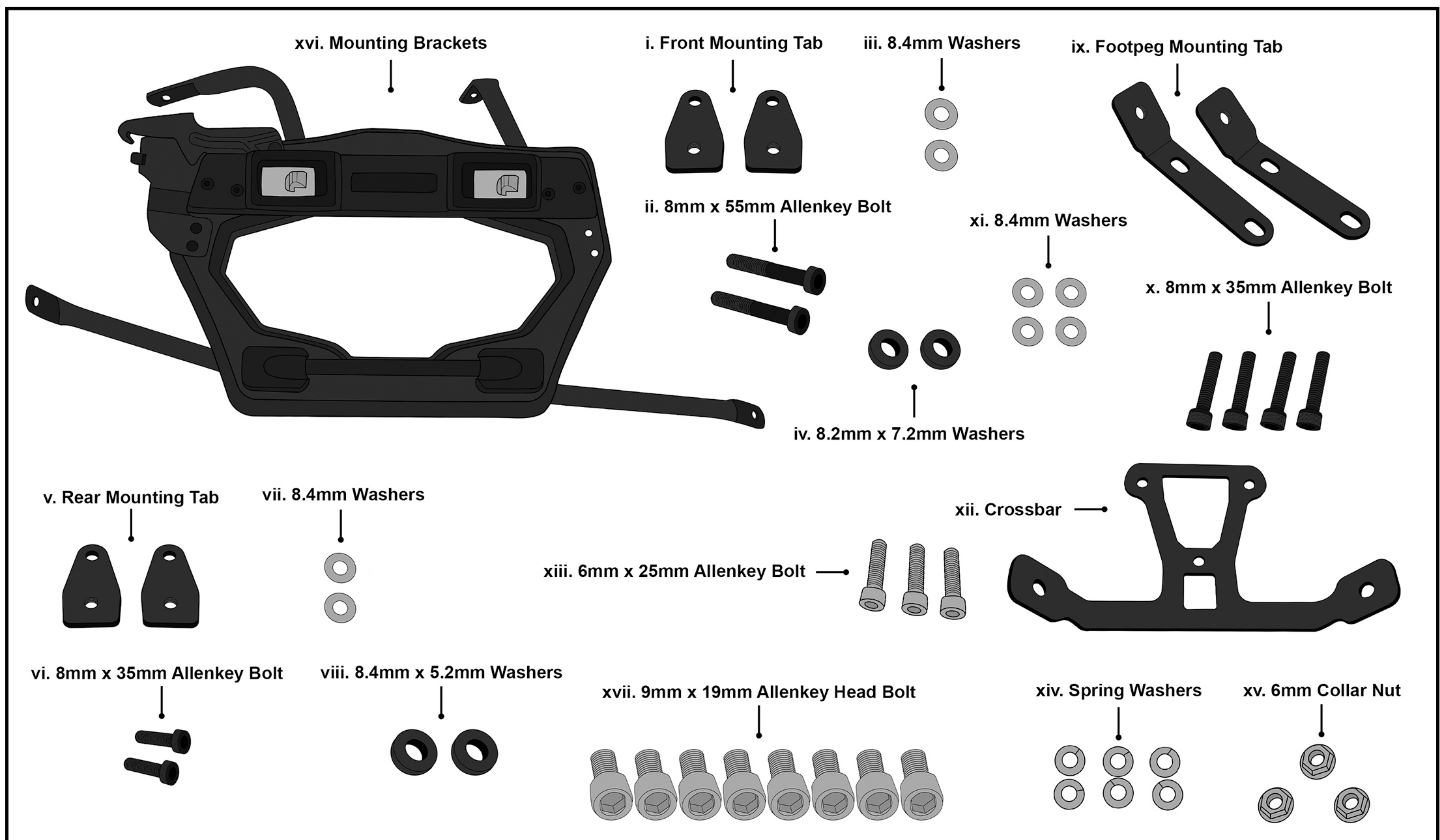
## Tools Needed:

- i Hex Driver Set
- ii Thread Locktite
- iii Wrench

## Tip:

- i Apply Loctite to ensure proper installation of bolts.
- ii Read the installation instructions carefully and make sure that all parts under the parts list are included.

## Parts Diagram:



# Instructions:

## Step 1:

Remove the motorcycle seat, and passenger footpeg mounts from both sides of the bike, and the three screws from the license plate.

See Fig 2.

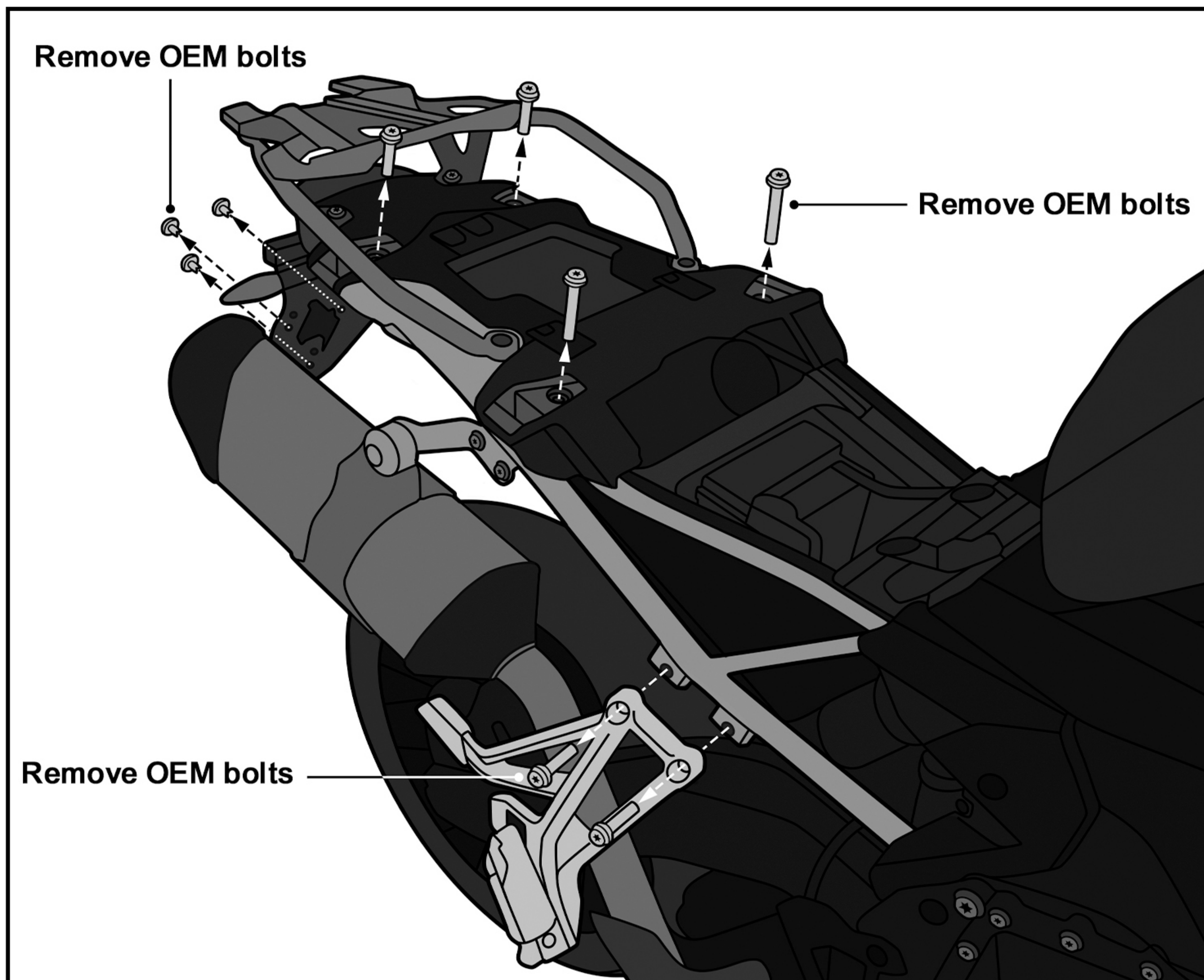


Fig 2. Removing all OEM bolts

## Step 2:

Install the front mounting tab (I) and rear mounting tab. See Fig 3.

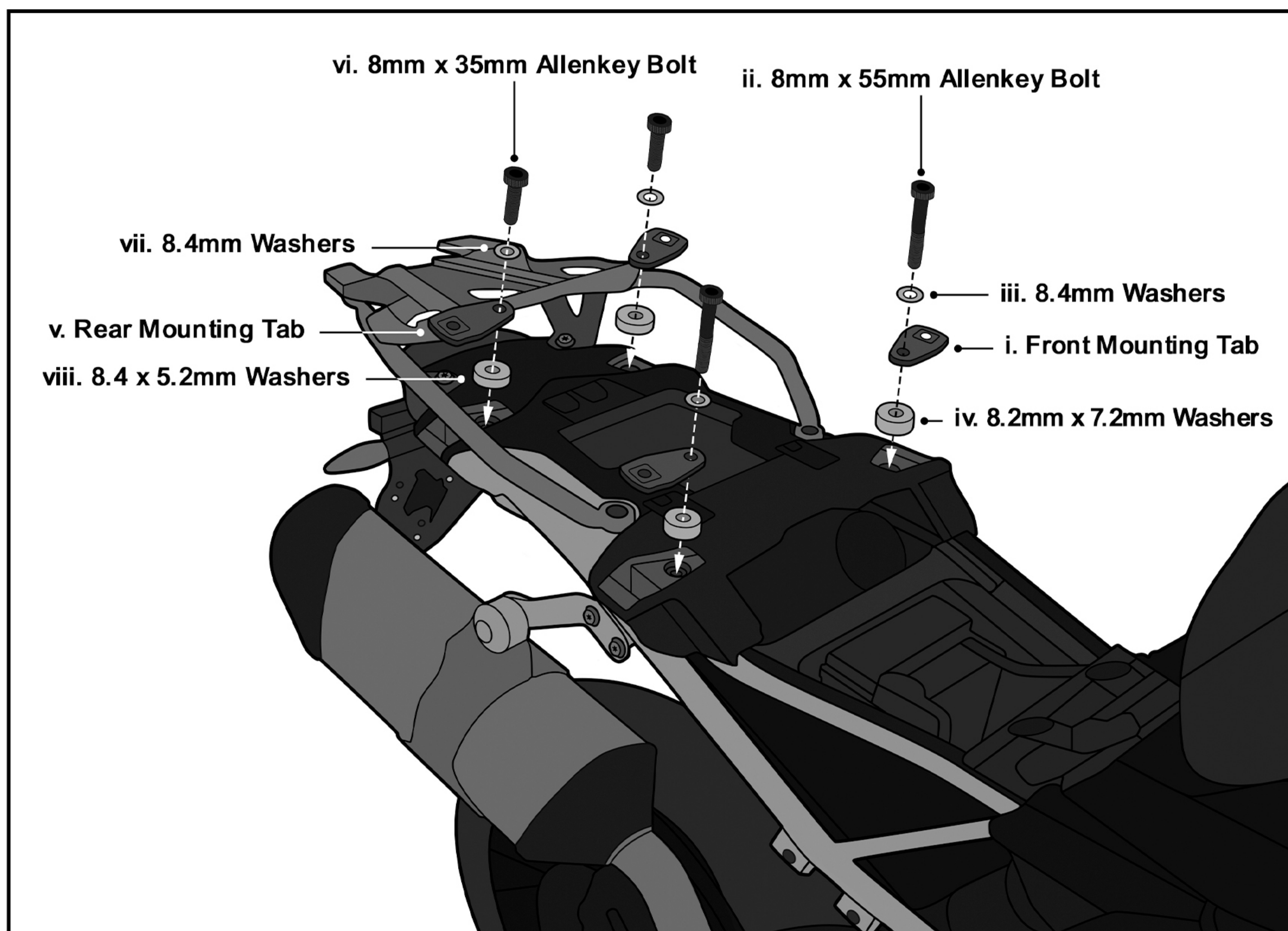


Fig 3. Installing the mounting tabs

### Step 3:

Install the footpeg mounting tabs on both sides of the bike (IX.) and crossmember (XII.) to the motorcycle license plate holder. (See Fig 4.)

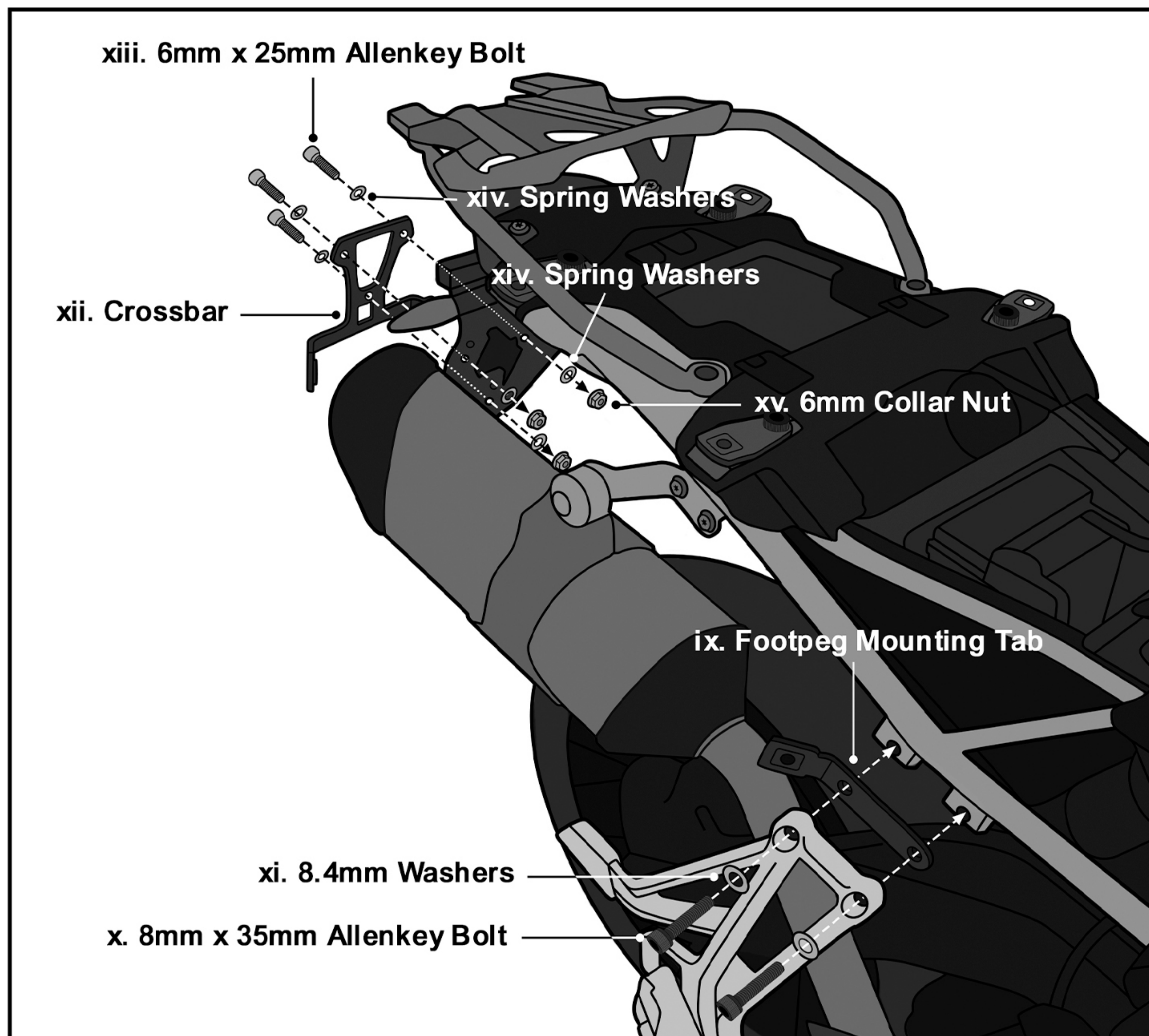


Fig 4. Installing the footpeg mounting tabs and the crossmember

### Step 4:

Attach the mounting brackets (XVI) to the front and rear mounting tabs (I, V), footpeg mounting tabs (IX), and crossmember (XII) using the provided 9mm x 19mm Allenkey head bolts (XVII)

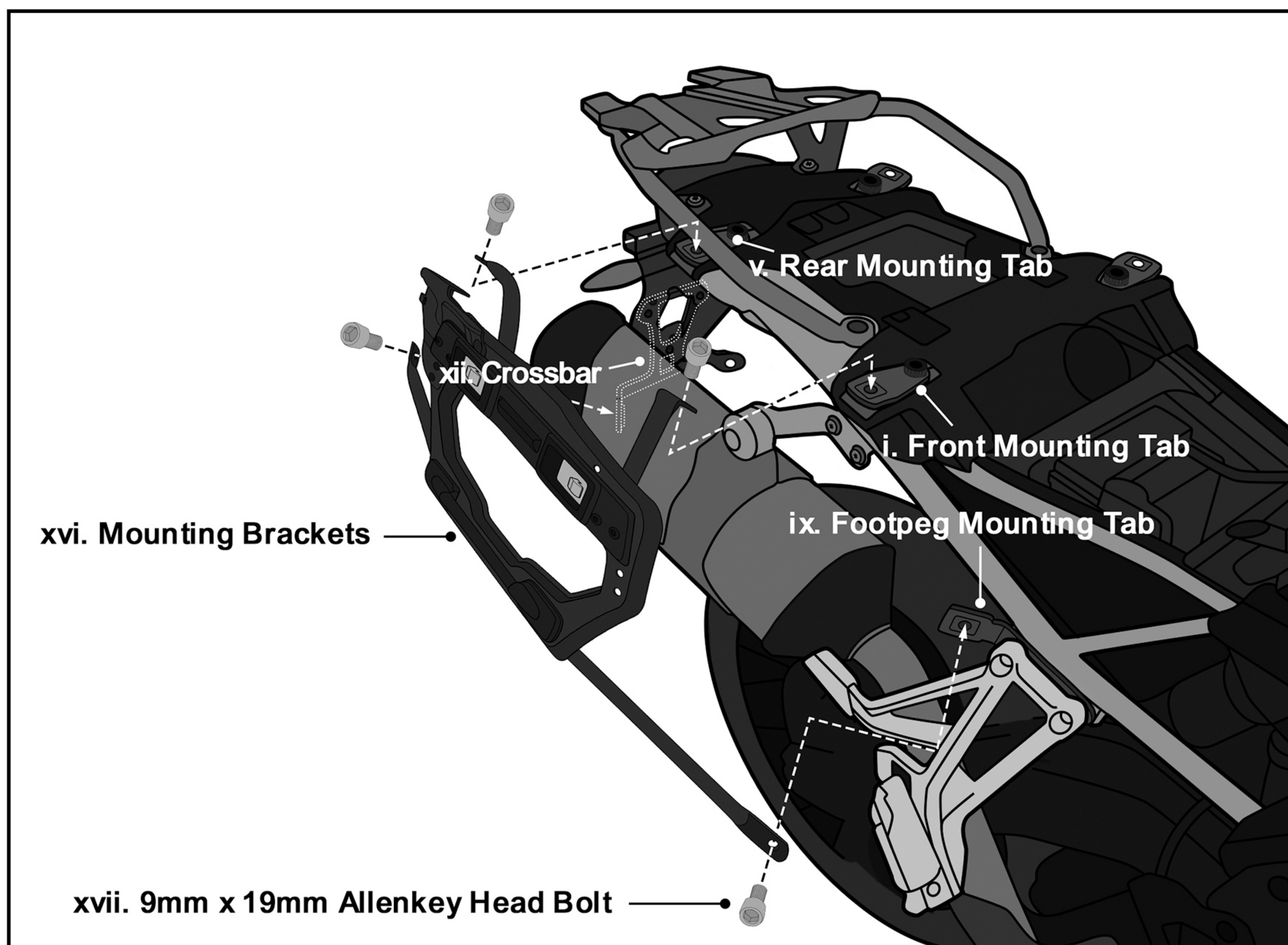


Fig 5. Attaching the bracket to the mounting tabs

Once all the hardware is in place without excess tension, tighten all the provided and OEM bolts.

Finally, attach the pannier bags to the mounting bracket. Pull the lever on the bracket and align the back of the pannier bags to the hooks.

Once in place push the lever down to lock the bag to the bracket. Repeat the same for the other side.

## **Congratulations! You have successfully installed the Viking Apex Panniers and now you are ready to ride.**

### **Warnings!**

- Do not install if any of the mounting hardware is damaged or impaired.
- If you have any questions or concerns about the installation, call Viking Bags or consult your local mechanic.
- Ensure no part of the bag constructs any of the moving parts of the bike.
- Viking Bags is not liable for any damage or malfunctions caused to your motorcycle during the installation process.
- Improper loading can cause vehicle handling problems leading to death or severe injury.
- Periodically check the bolts on your bike for tightness.