

# Installation Instructions For Apex 30L Duffel Bag:



## Parts Included:

- |    |                 |     |
|----|-----------------|-----|
| i  | 30L Duffel Bag  | x 1 |
| ii | Mounting Straps | x 2 |

## Instructions:

### Step 1

Position the duffel bag at the center of your luggage rack.

### Step 2

Open the top compartment.

### Step 3

Insert the mounting straps through the holes, loop them around the top of the bag, and secure each end of the mounting straps.

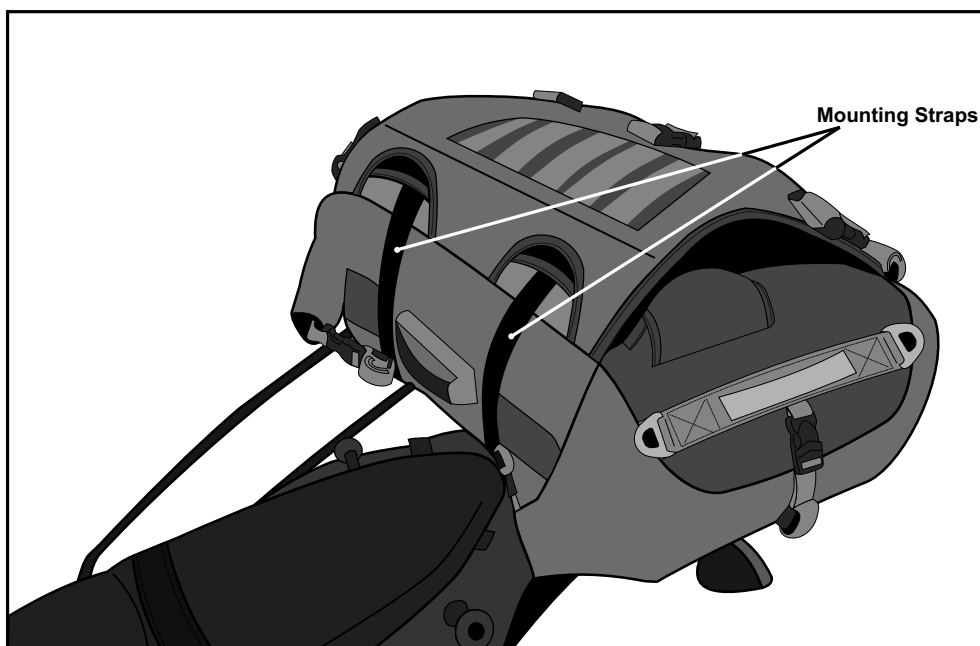


Fig A. Apex Duffel Bag Installed on a luggage rack

**Congratulations, your Apex 30L Duffel Bag  
are installed and you are ready to ride!**

**Warnings !**

- In case you need more clarification about your ability to install the duffel bag securely, please seek assistance from a qualified mechanic.
- Avoid using any mounting part that is impaired or not working correctly.
- Ensure no part of the bag obstructs any of the bike's moving parts.
- Viking Bags is not responsible for any damage or injury resulting from improper product use.
- Do not install if any of the mounting straps are damaged or impaired.