

Viking Stretched Bagger Saddlebags for Harley Touring Motorcycle '09-13'



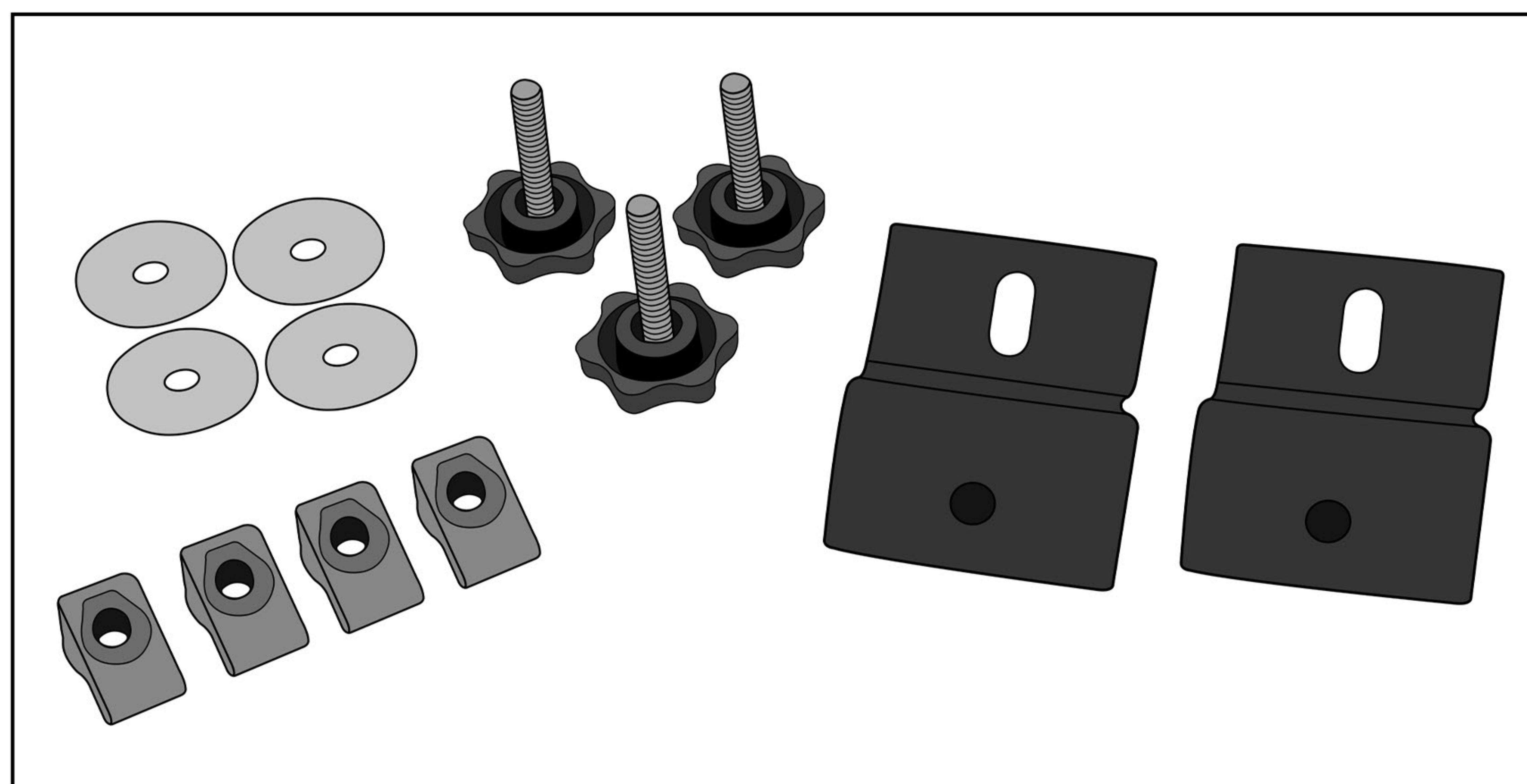
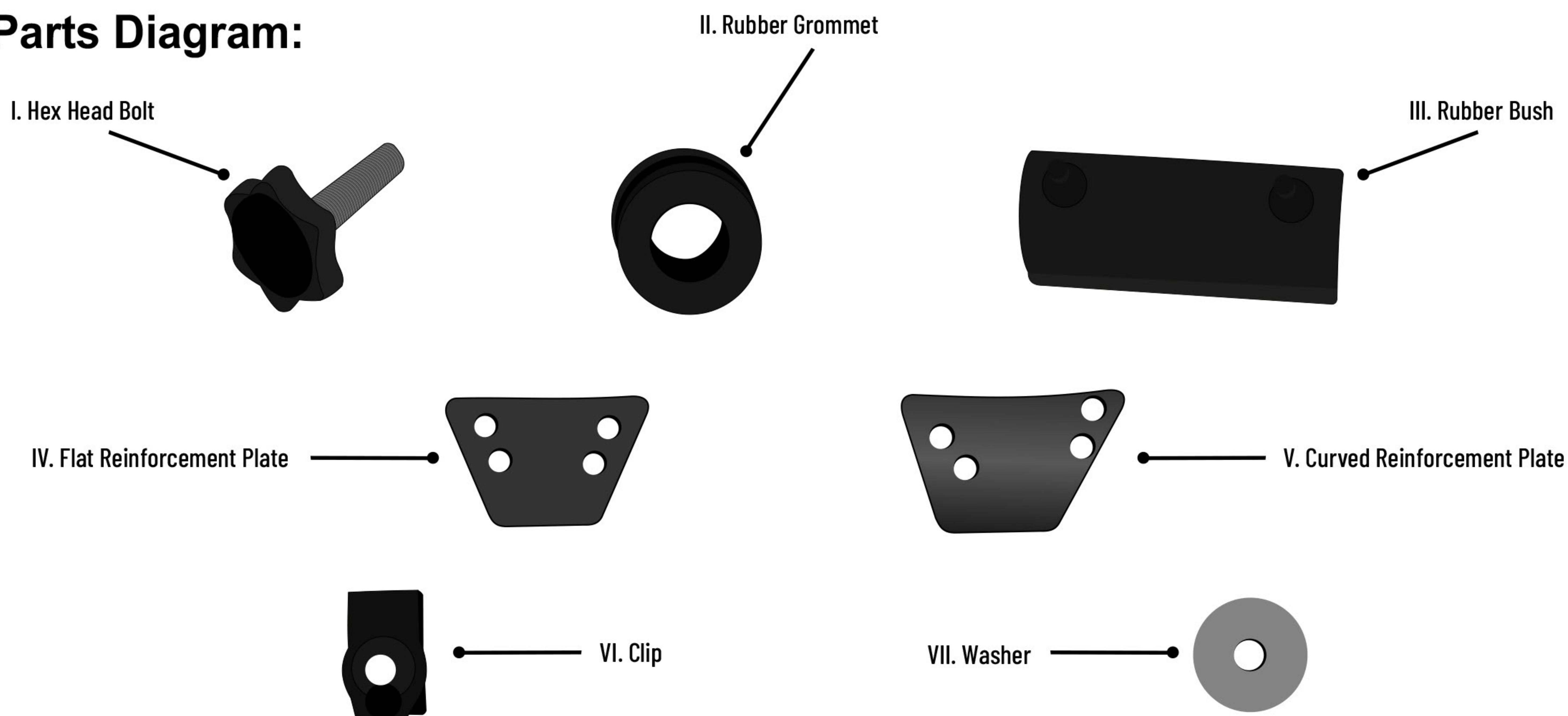
Parts:

i	8 mm x 30 mm Hex Head Bolt	x 4
ii	Rubber Grommet	x 4
iii	Bagger Base Rubber Bush	x 4
iv	Flat .9mm Reinforcement Plate	x 2
v	Curved 9mm Reinforcement Plate	x 2
vi	8mm Clips	x 4
vii	8mm Washer	x 4
viii	Saddlebag Conversion Kit	x 1

Note:

- I. The **Rubber Bush (III.)** will be placed on the back rail if your bike has a 4 ½ exhaust and require you to center the bags.
- ii. The **Flat Reinforcement Plate (IV.)** is placed at the front of the bags, while the **Curved Reinforcement Plate (V.)** is placed at the rear of the bags
- iii. You will not be required to change the **Clips (VI.)** if you use OEM Hex Head Bolts

Parts Diagram:



viii. Saddlebag Conversion Kit

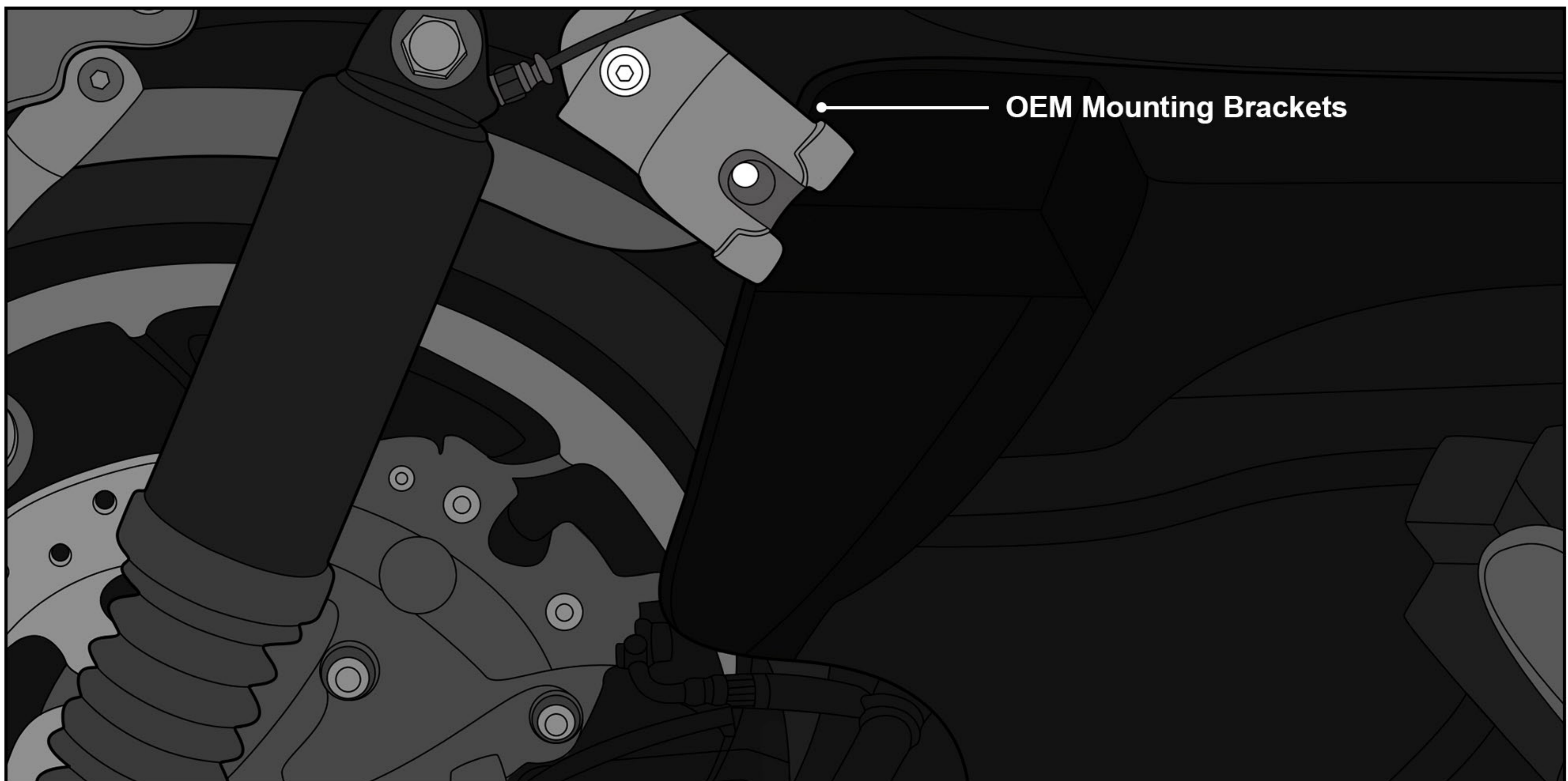
Instructions:

Step 1:

Remove old saddlebags.

Step 2:

Remove OEM saddlebag mounting brackets and replace them with Viking Saddlebag Conversion Kit **(VIII.)**



Step 3:

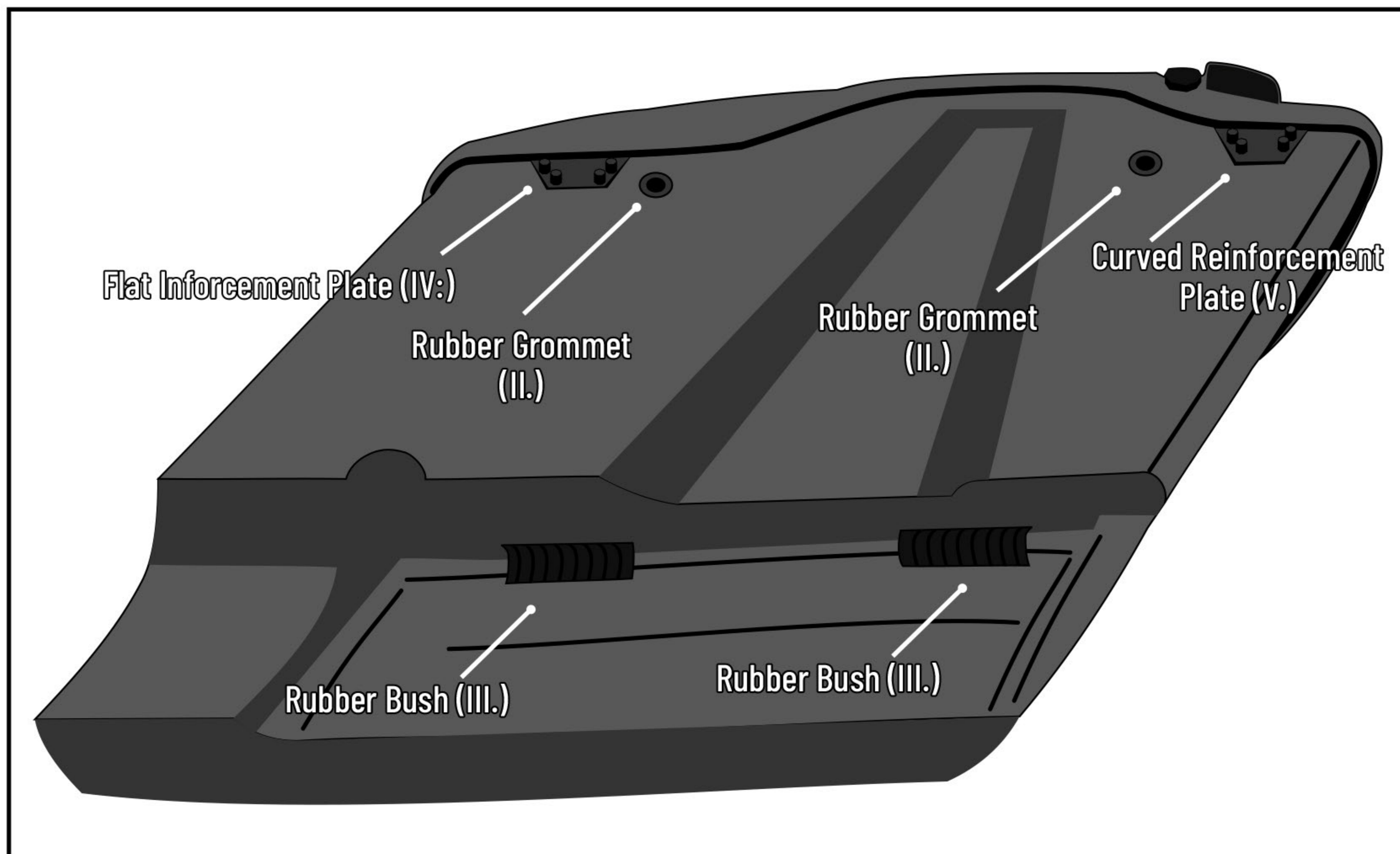
Install the front and rear reinforcement plates and insert the screws through both. **(Fig 1.)**

Step 4:

Place the rubber grommets **(II.)** onto the bag where you insert the **Hex Head bolts(I.)**. **(Fig 1.)**

Step 5:

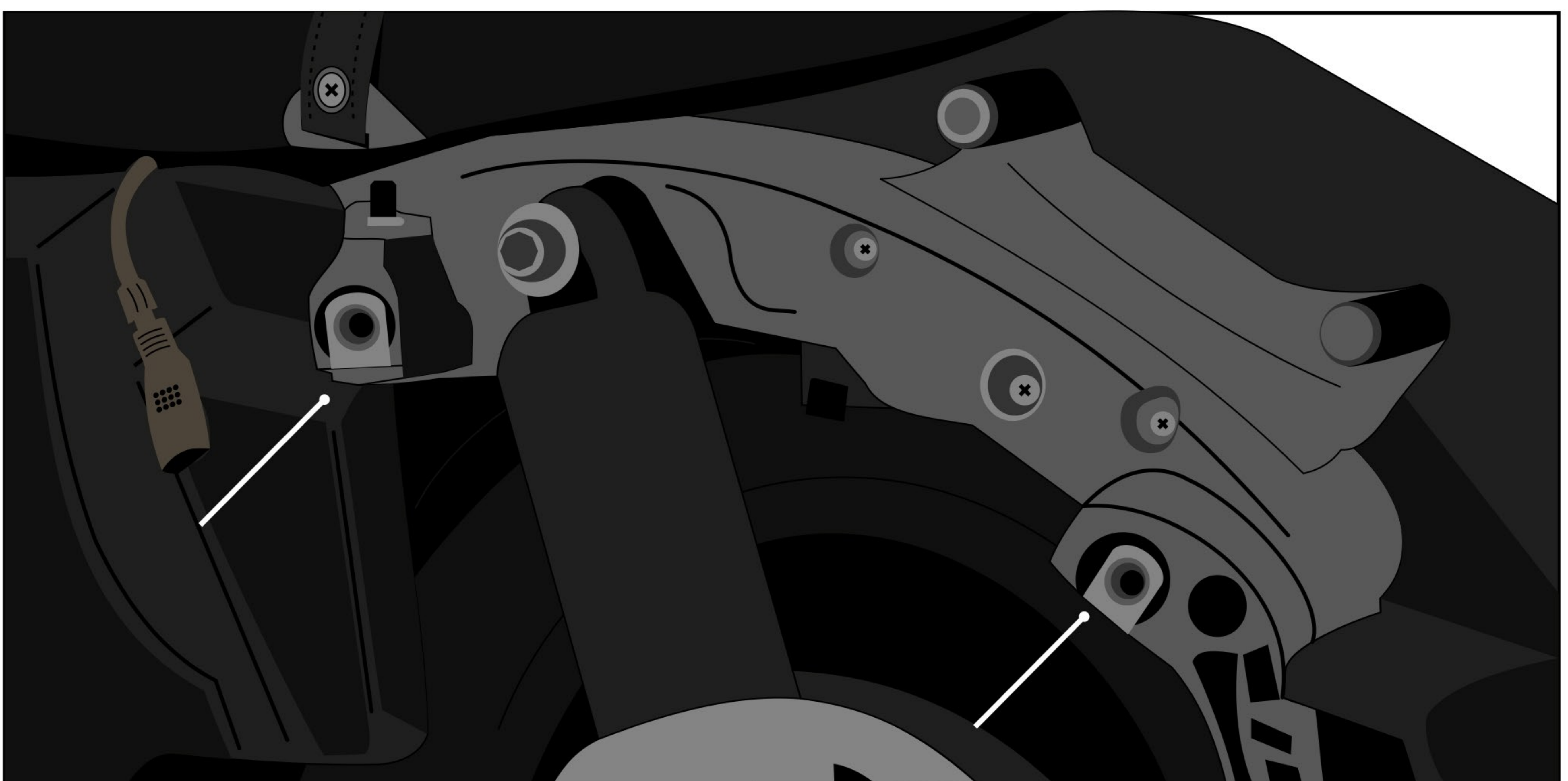
Install **Rubber bush (III.)** at the bottom **(Fig 1.)**



(Fig 1) Bagger Configuration

Step 6 *(Ignore this step if you decide to keep Harley OEM Hex Head Bolt)*

Remove OEM clips using a flathead screwdriver (Fig 2.) and replace them with the clips (VI.) provided in the hardware kit. Make sure the threads of the clip are facing toward the inside of the bike and the open hole is facing you.



(Fig 2) Replace OEM clips with provided clips (VI.)

Step 7

Adjust the conversion kit bracket and Install the bag using the provided Hex Head Bolts (I.)

Step 8

Repeat these steps for the other side of the bags.

**Congratulations! You have finished installing the
Viking Stretched Bagger Saddlebags and are ready to ride!**

Warnings !

- Avoid using broken parts or parts not working correctly
- If you are unsure how to install, get help from a qualified mechanic
- Periodically check the bags to ensure all the bolts are secure
- Do not install the bags if you are unsure about any steps
- Viking Bags is not responsible for any damage caused by improper use and installation
- No part of the product should obstruct bike operation