

# Viking Incognito Solo Saddlebag Installation for Nightster 2024:



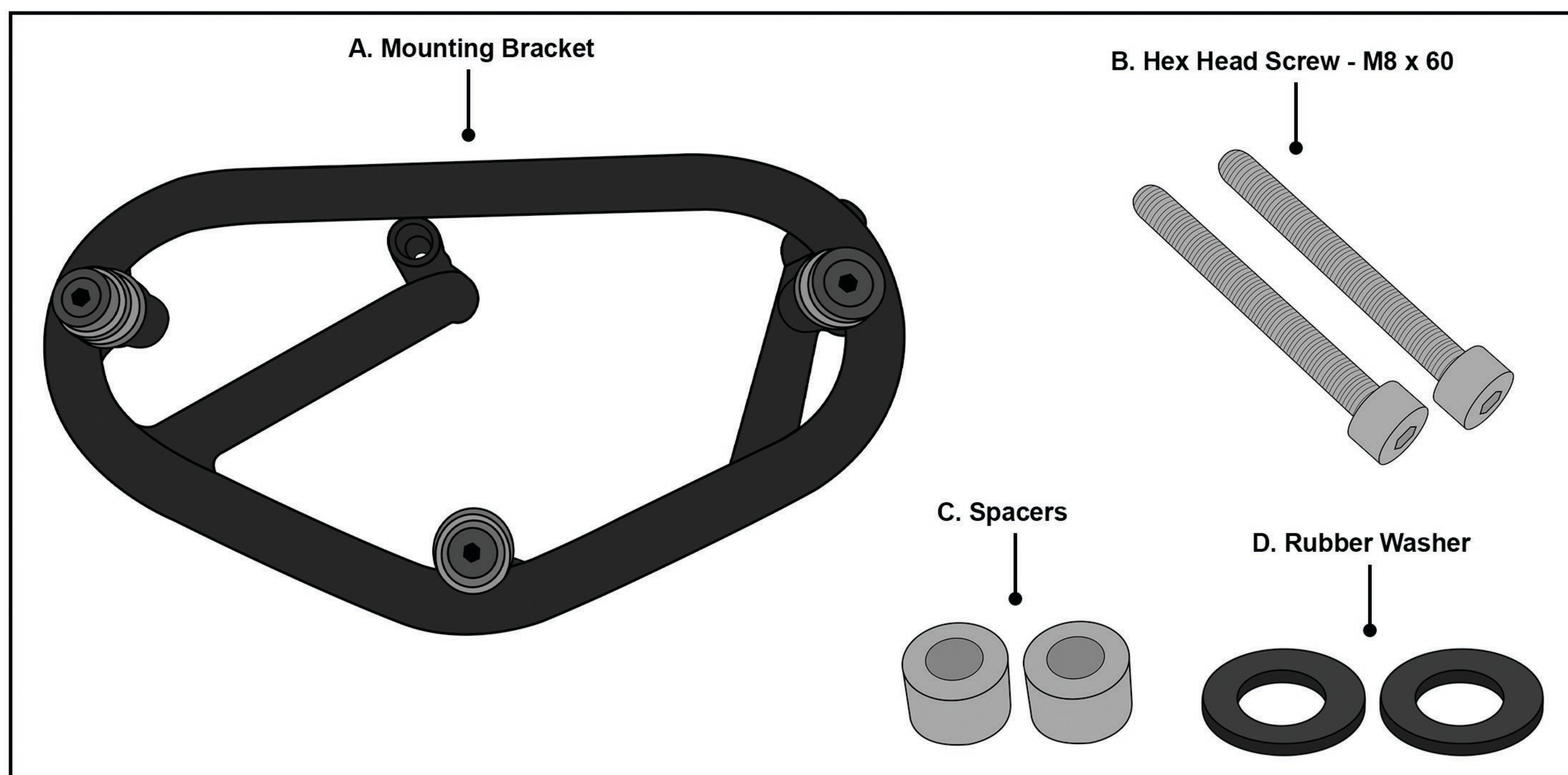
## Parts List:

A	Mounting Bracket	x1
B	Hex Head Screw - M8 x 60	x2
C	Spacers	x2
D	Rubber Washer	x2

## Note:

i. The use of spacers(C) is optional

## Parts Diagram:



Parts Diagram

## Installation Instructions:

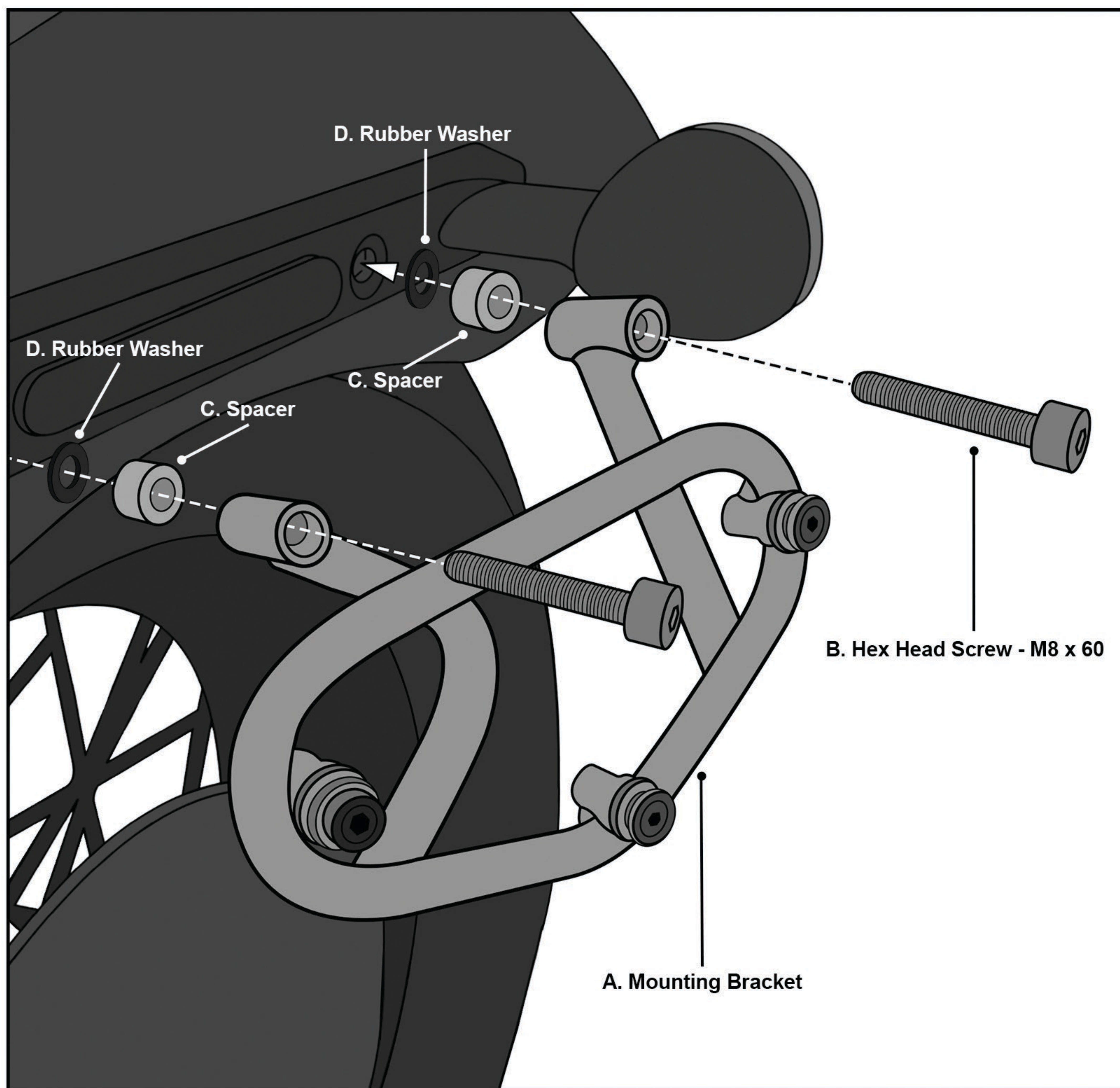
### Step 1:

Remove the OEM bolts from the motorcycle fender.

### Step 2:

Install the motorcycle mounting bracket (A) using the provided hardware. Refer to Fig 1.



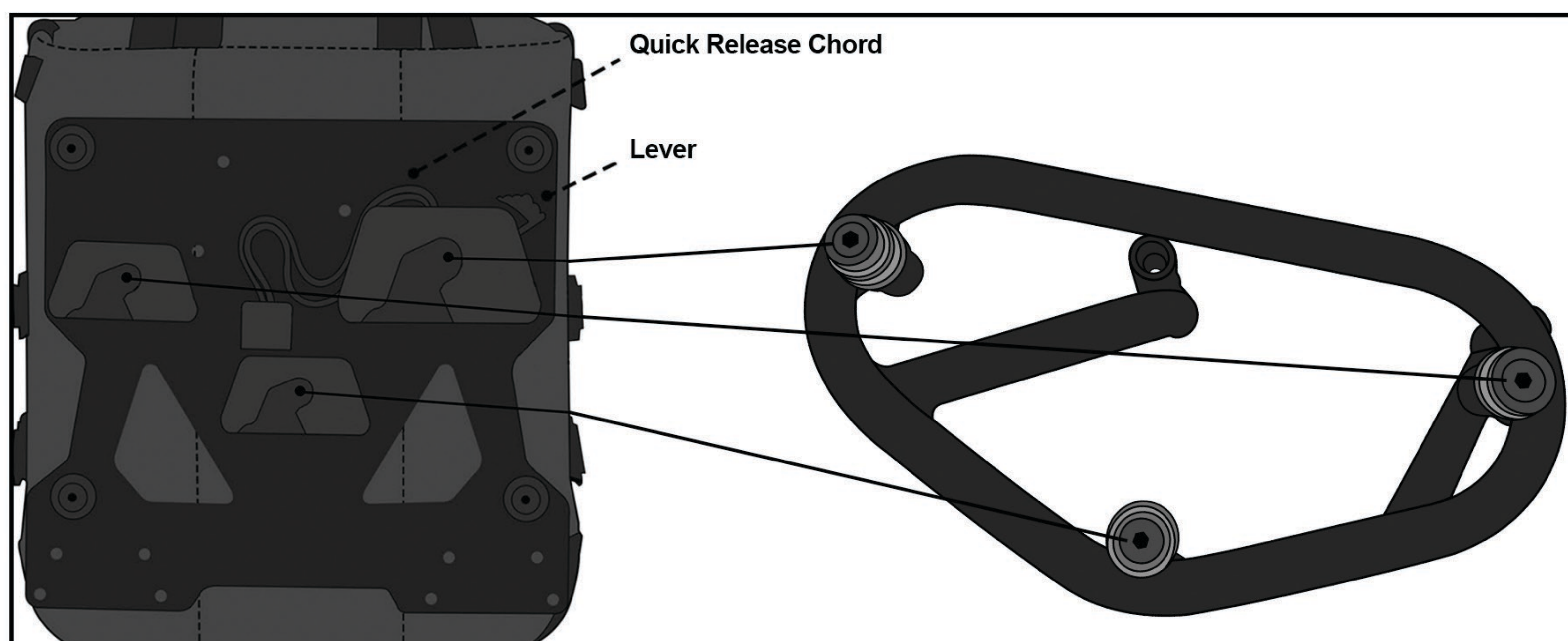


**Fig 1. Attaching the Mounting Bracket**

**Step 3:**

Use the pre-installed adapter plate in the back of the Viking Detachable Solo Bag to mount it on the bracket as shown in Fig 2. Press the Solo Bag onto the mounting pegs until it properly rests on the mounting bracket.

To release the bag, press the lever or pull the quick-release cord.

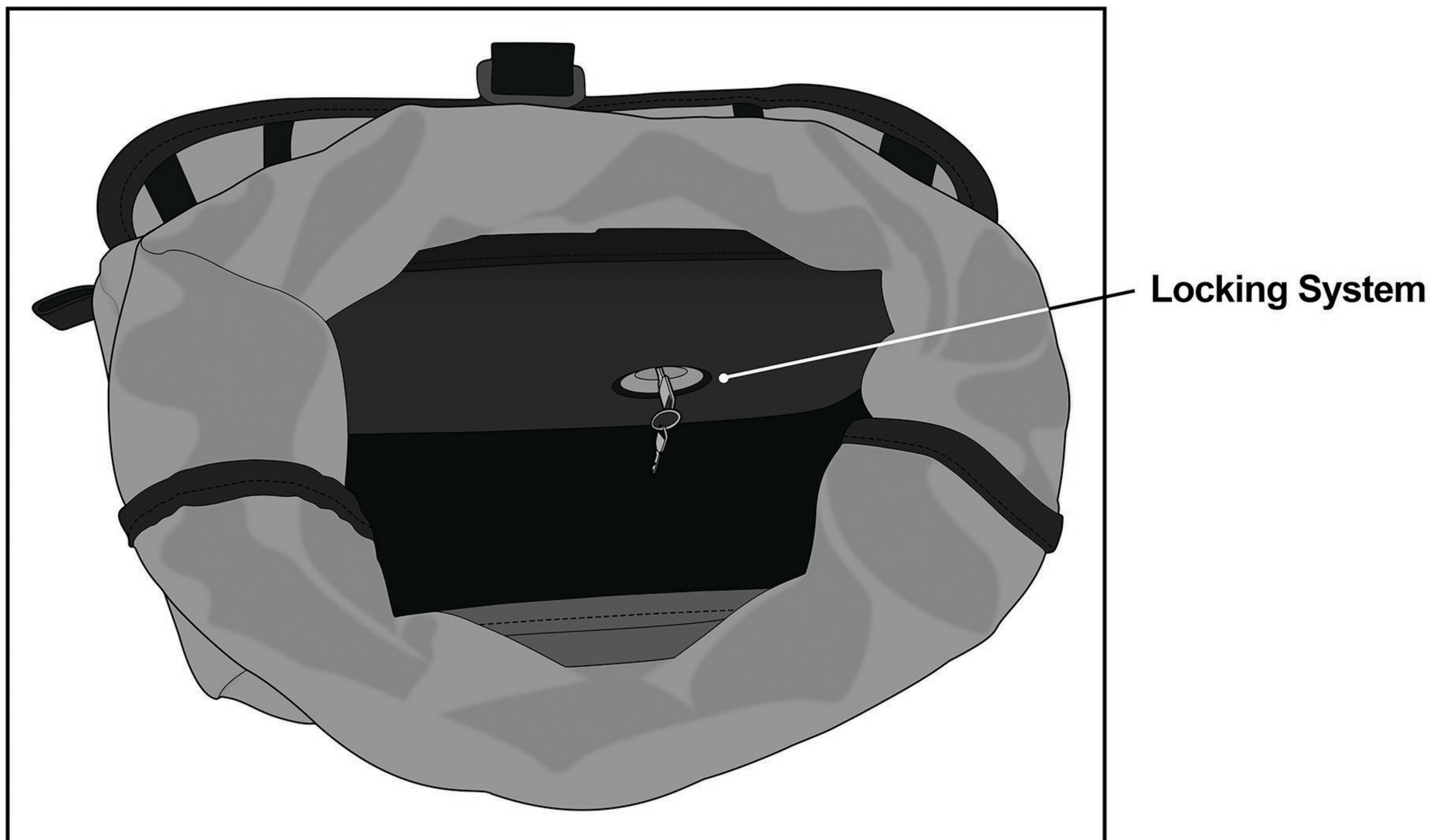


**Fig 2. Attaching the bag to the bracket**



## Tip:

The quick disconnect system is key lockable. Lock / unlock the quick disconnect system from inside the bag to secure your bag against theft.



**locking system located below the waterproof liner**

**Congratulations, your Viking Incognito Solo Bag is installed and you are ready to ride!**

## Warnings!

- Do not install if any of the mounting straps are damaged or impaired.
- If you have any questions or concerns about the installation, call Viking Bags or consult your local mechanic
- Ensure no part of the bag constructs any of the moving parts of the bike
- Viking Bags is not liable for any damage or malfunctions caused to your motorcycle during the installation process
- Improper loading can cause vehicle handling problems leading to death or severe injury.
- Periodically check the bolts on your bike for tightness.