

Viking Incognito XS Solo Saddlebag for Kawasaki Vulcan:



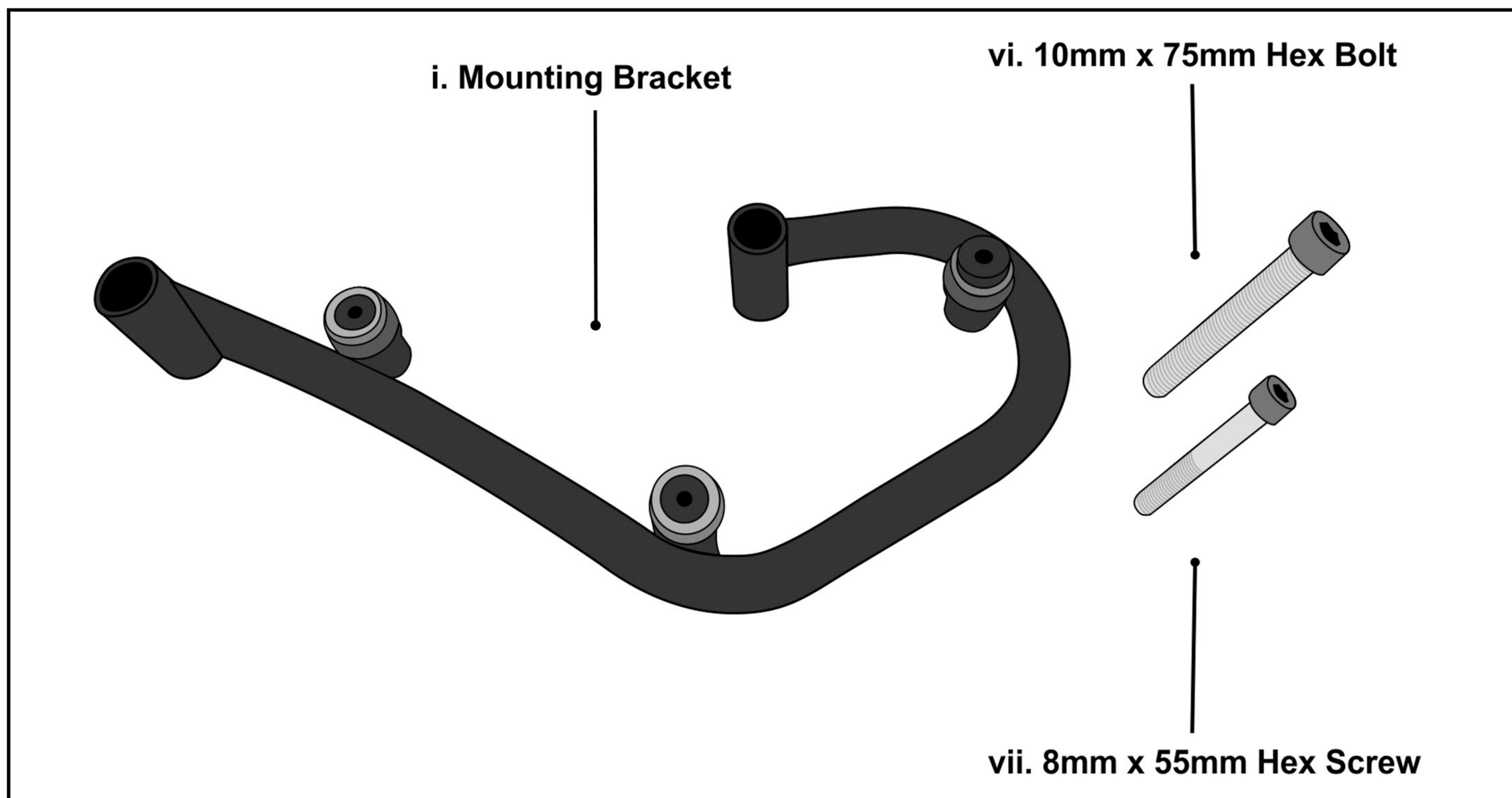
Parts:

i	Mount Bracketing	x1
ii	Guide Bolt	x3
iii	Lock Bolt	x1
iv	6mm x 20mm Hex Screw	x1
v	6mm x 200mm Flat-Head screw	x1
vi	10mm x 75mm Hex Bolt	x1
vii	8mm x 55mm Hex Screw	x1

Note:

- Before starting step 1 make sure to lift the motorcycle with a suitable motorcycle jack.
- Check the dimensions of the templates to make sure the scale is correct.
- The installation steps show the installation for the left mounting bracket, you can use the same steps for the right mounting bracket as well.

Parts Diagram:



Instructions:

Step 1:

Remove the OEM screws and the strut cover. (Fig 1.)

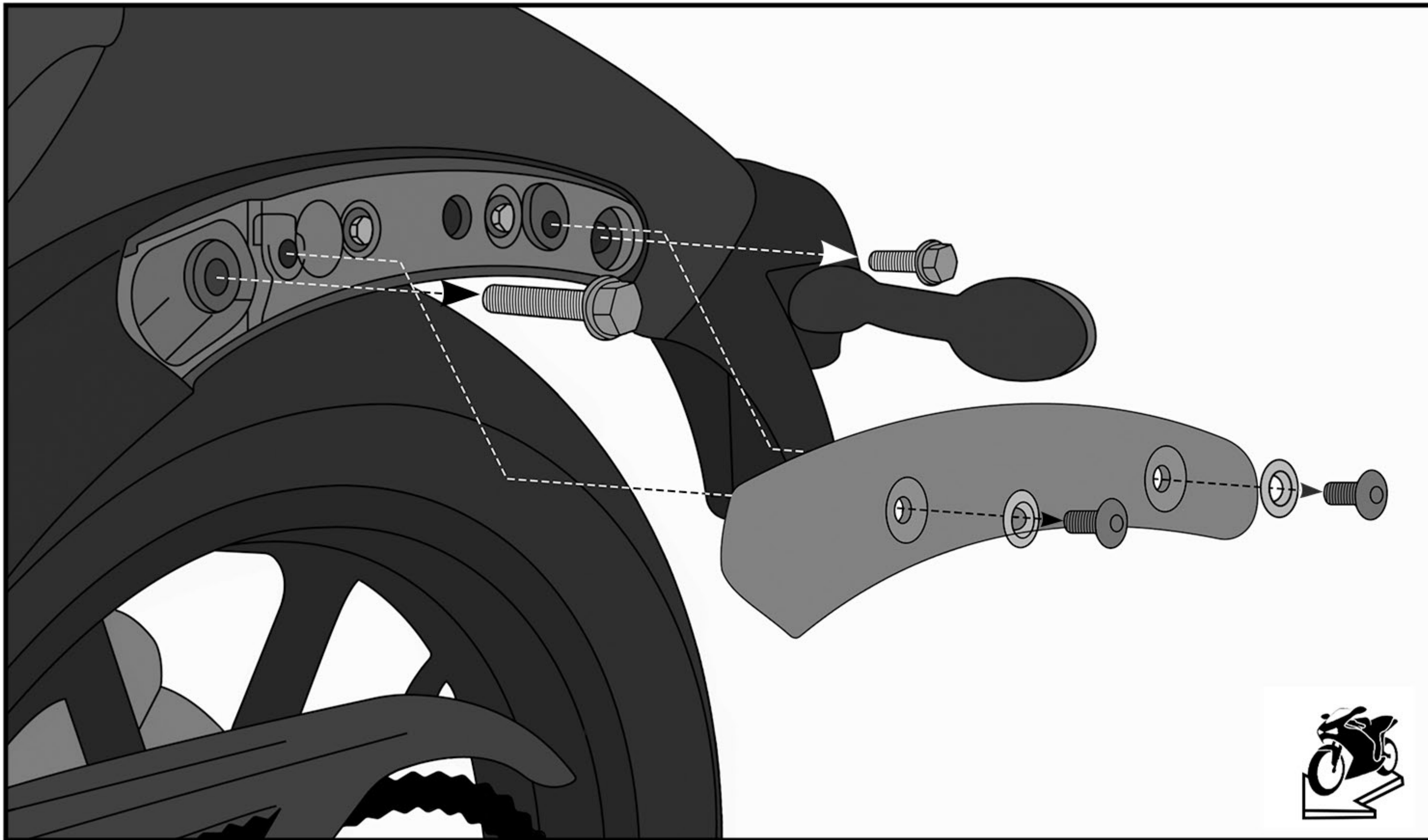


Fig 1. Removing the OEM screws and strut cover.

Step 2:

Print the side-specific template provided with the installation, place it on the strut cover's inner side and stick it with tape. Pay close attention to the alignment of the marked areas.

Use a marker to mark the drill points. (Fig 2.)

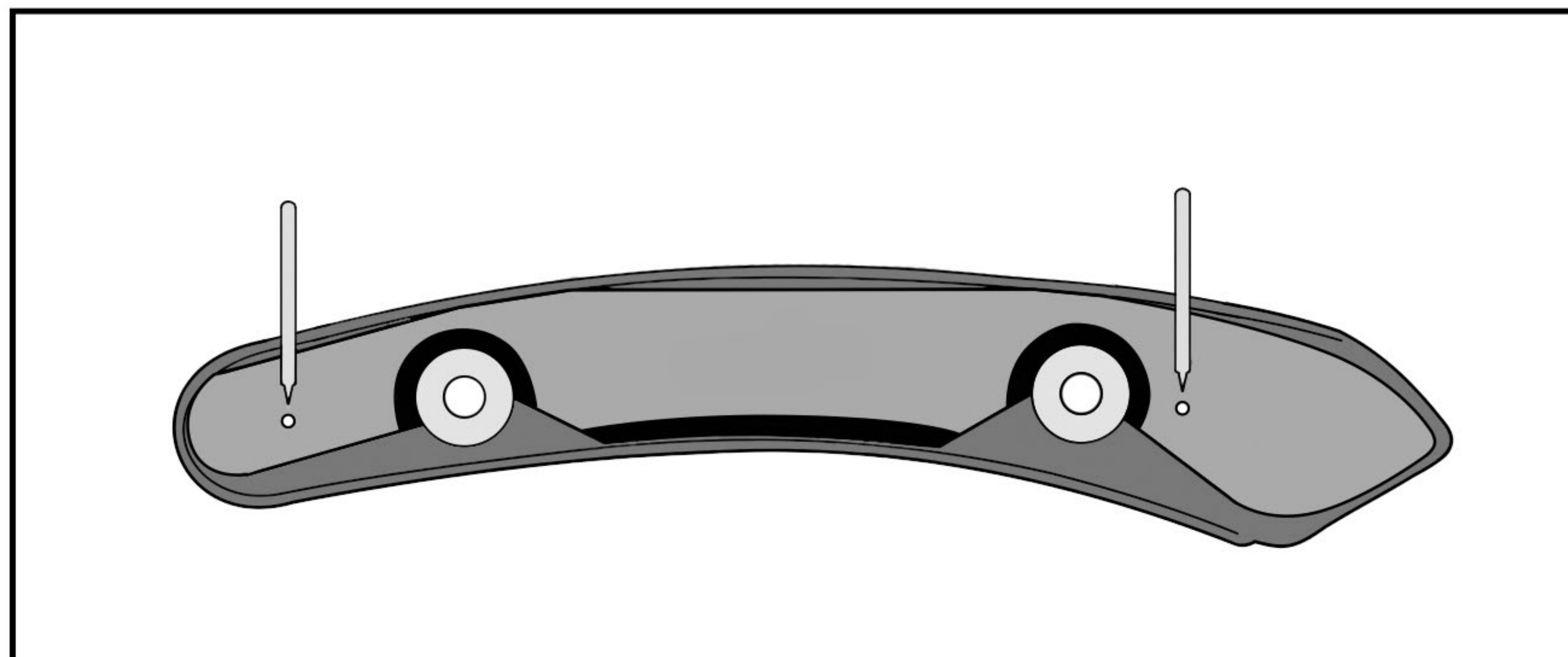


Fig 2. Marking the points to drill

Step 3:

Drill the two marked points using a step drill with the correct diameter from the inner side of the strut cover. (Fig 3.)

Smoothen the rough edges using a deburring tool.

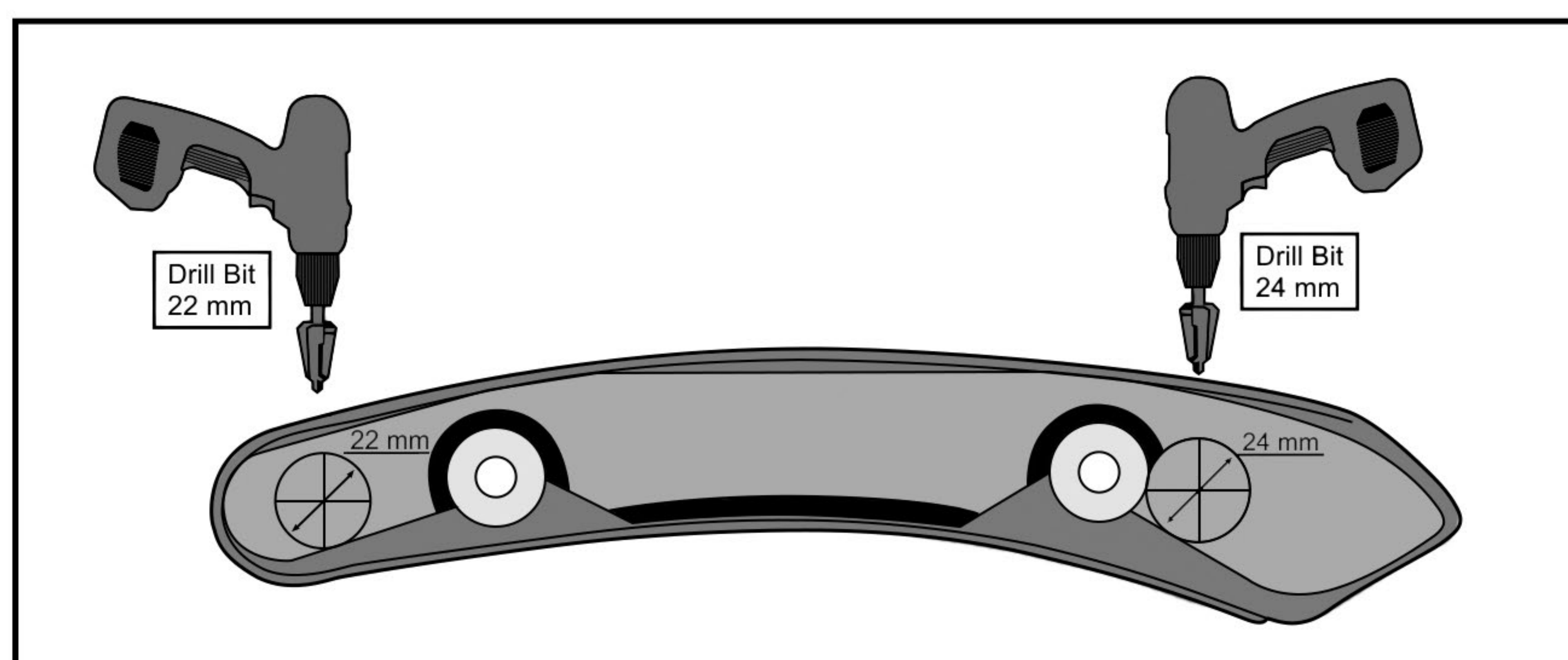


Fig 3. Drilling the two marked points using a step drill

Step 4:

Place back the strut cover using OEM screws to the bike. (Fig 4.)

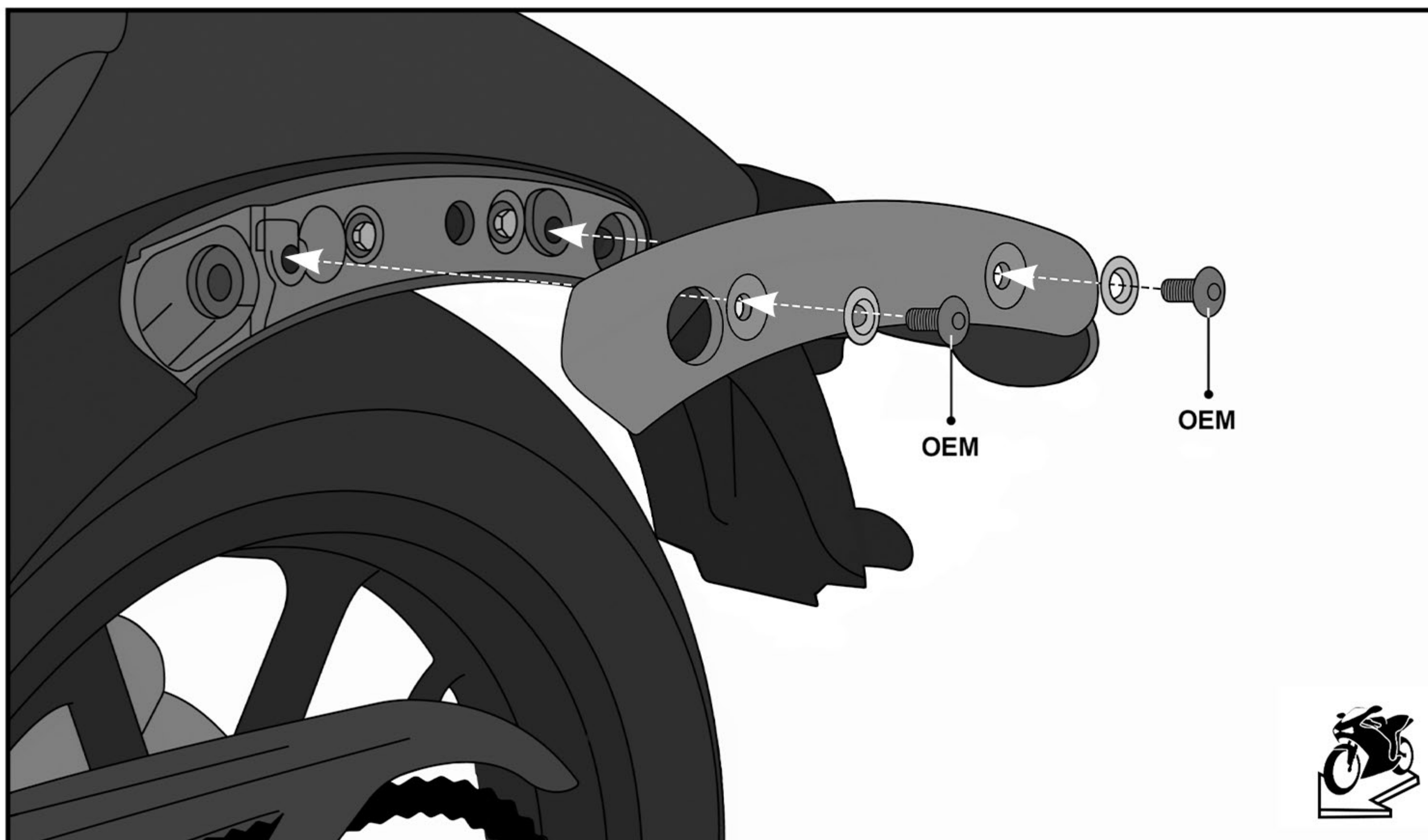


Fig 4. Placing back the strut cover

Step 5:

Install the mounting bracket (I) to the fender strut using 10mm x 75mm Hex Bolt (VI) and 8mm x 55mm Hex Bolt (VII.) (Fig 5.)

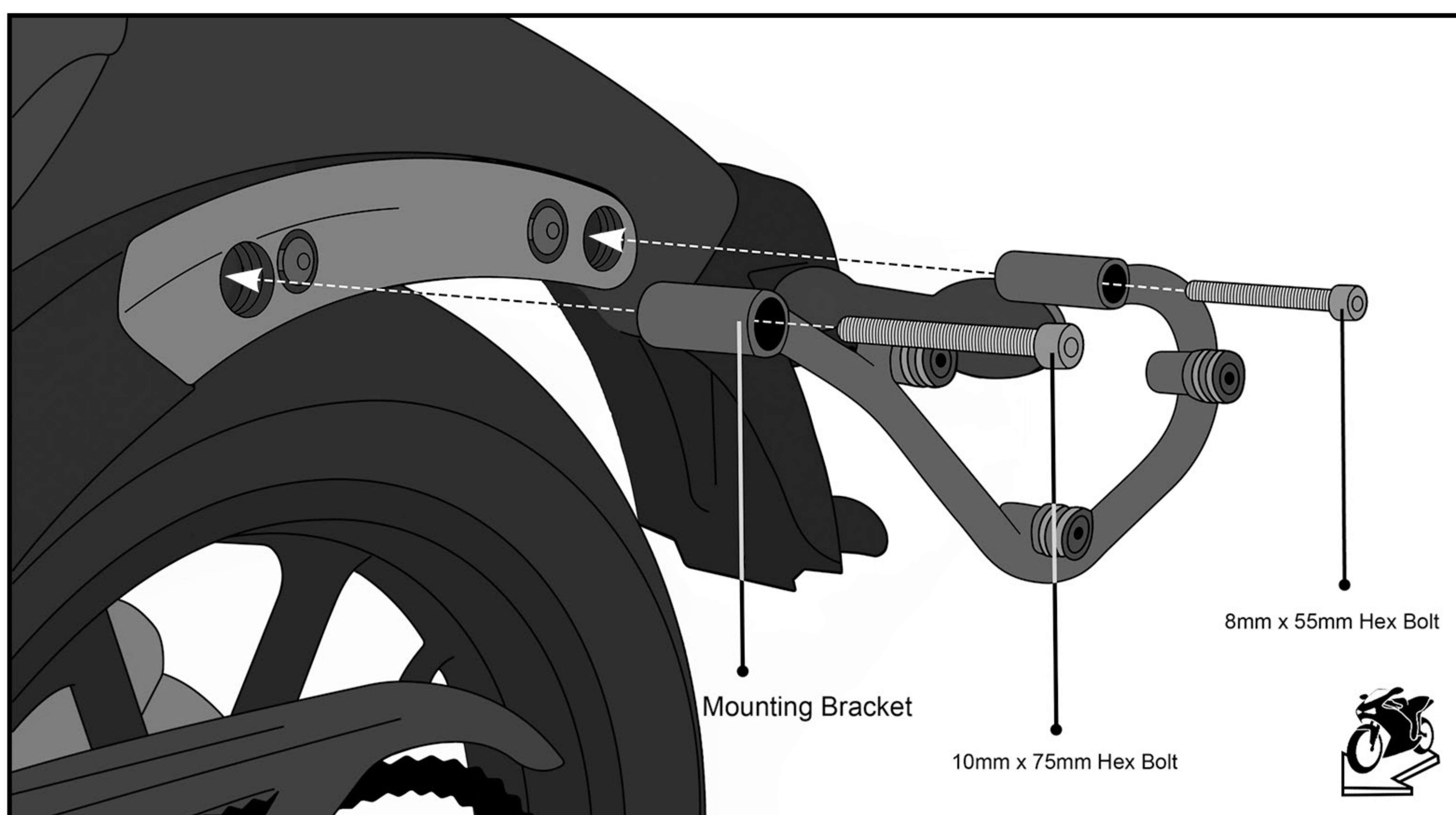
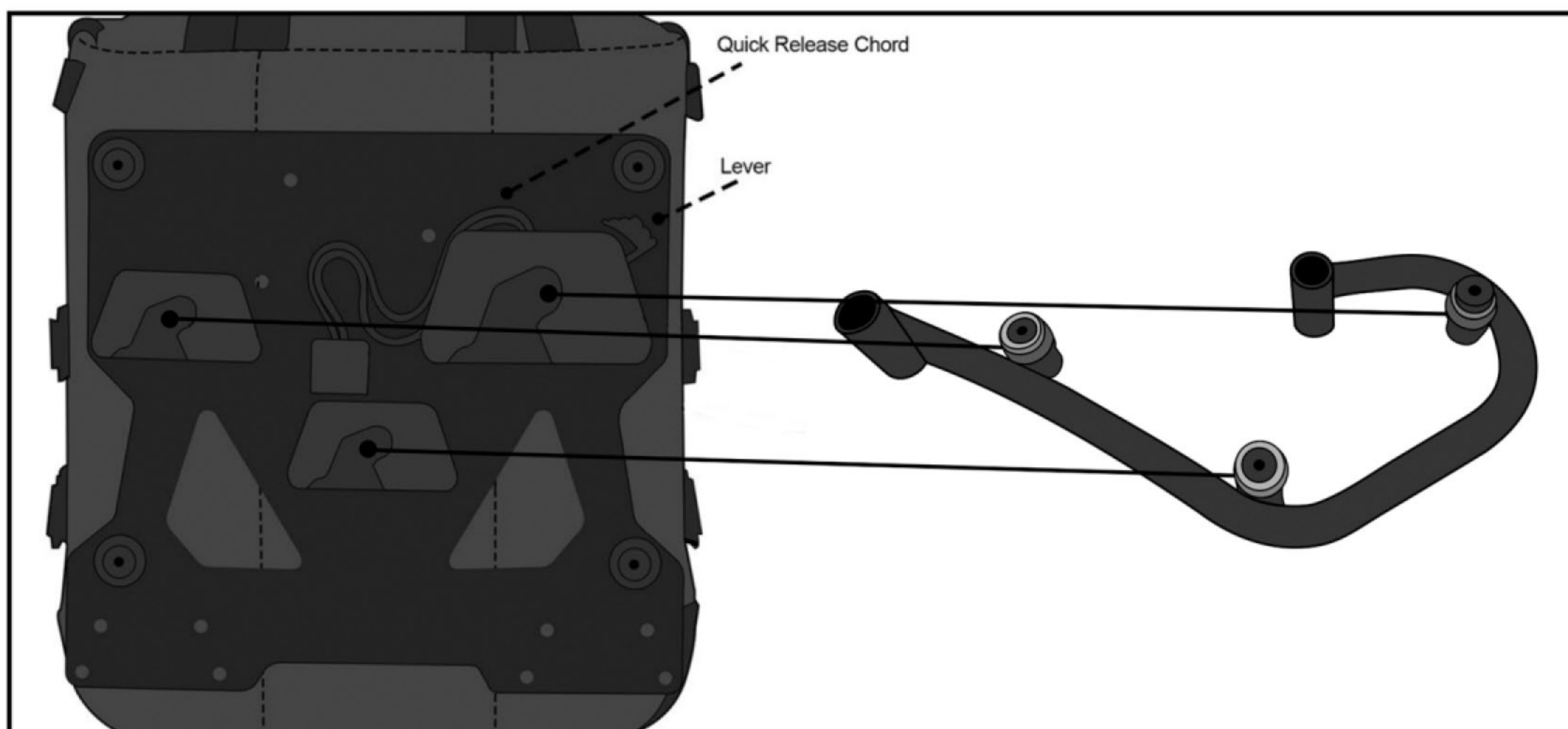


Fig 5. Installing the mounting bracket

Step 6:

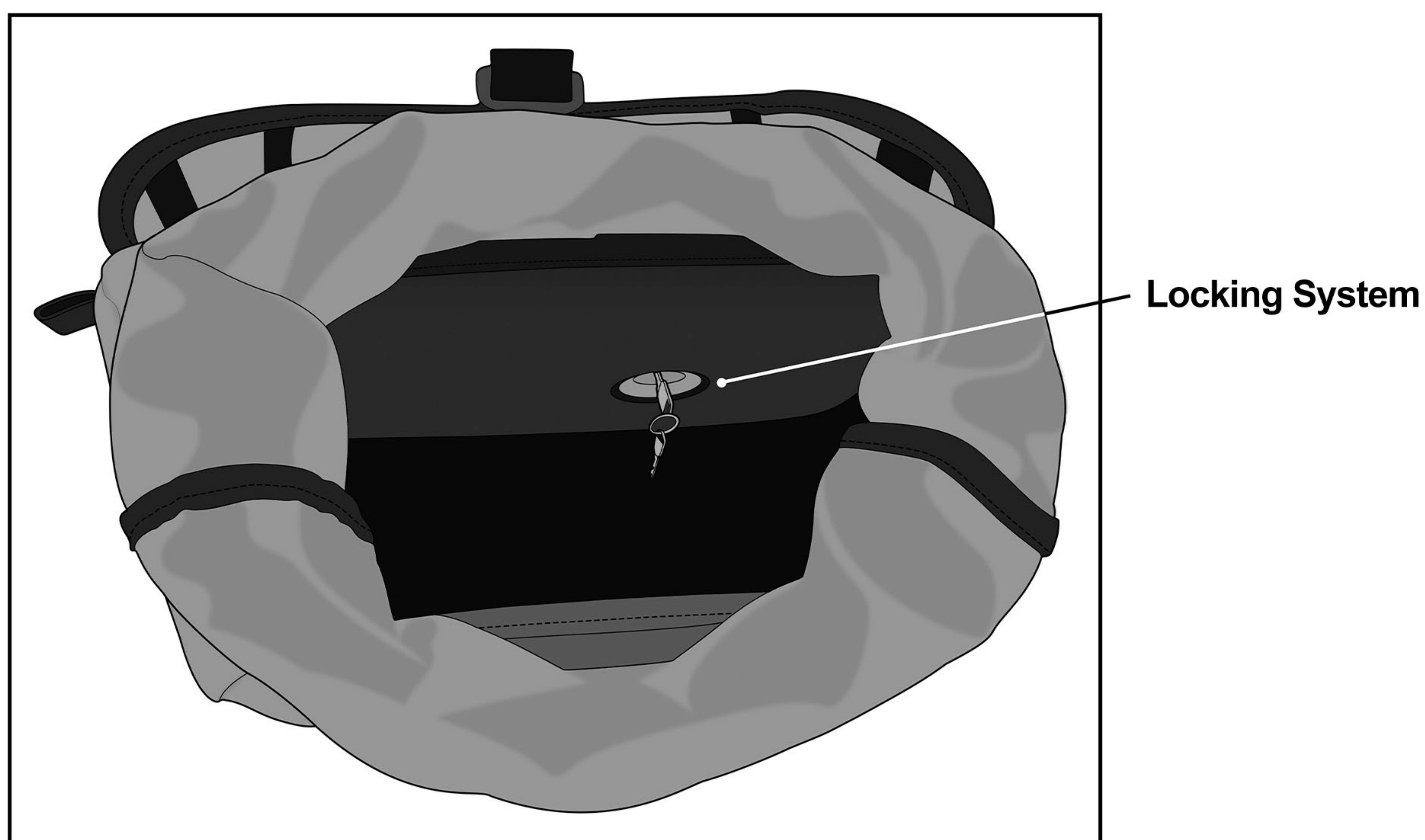
Use the pre-installed adapter plate in the back of the Viking Detachable Solo Bag to mount it on the bracket as shown in Fig 2. Press the Solo Bag onto the mounting pegs until it properly rests on the mounting bracket.

To release the bag, press the lever or pull the quick-release cord.



Tip:

The Quick Detach Mounting System of the bag is lockable. Use the provided set of keys to secure the quick detach mounting system of the bag.



locking system located below the waterproof liner

**Congratulations, your Viking Incognito Solo Bag
is installed and you are ready to ride!**

Warnings!

- Do not install if any of the mounting straps are damaged or impaired.
- If you have any questions or concerns about the installation, call Viking Bags or consult your local mechanic
- Ensure no part of the bag constructs any of the moving parts of the bike
- Viking Bags is not liable for any damage or malfunctions caused to your motorcycle during the installation process
- Improper loading can cause vehicle handling problems leading to death or severe injury.

Side Specific Drilling Template:

