

Viking Incognito Solo Saddlebag for Harley Softail:



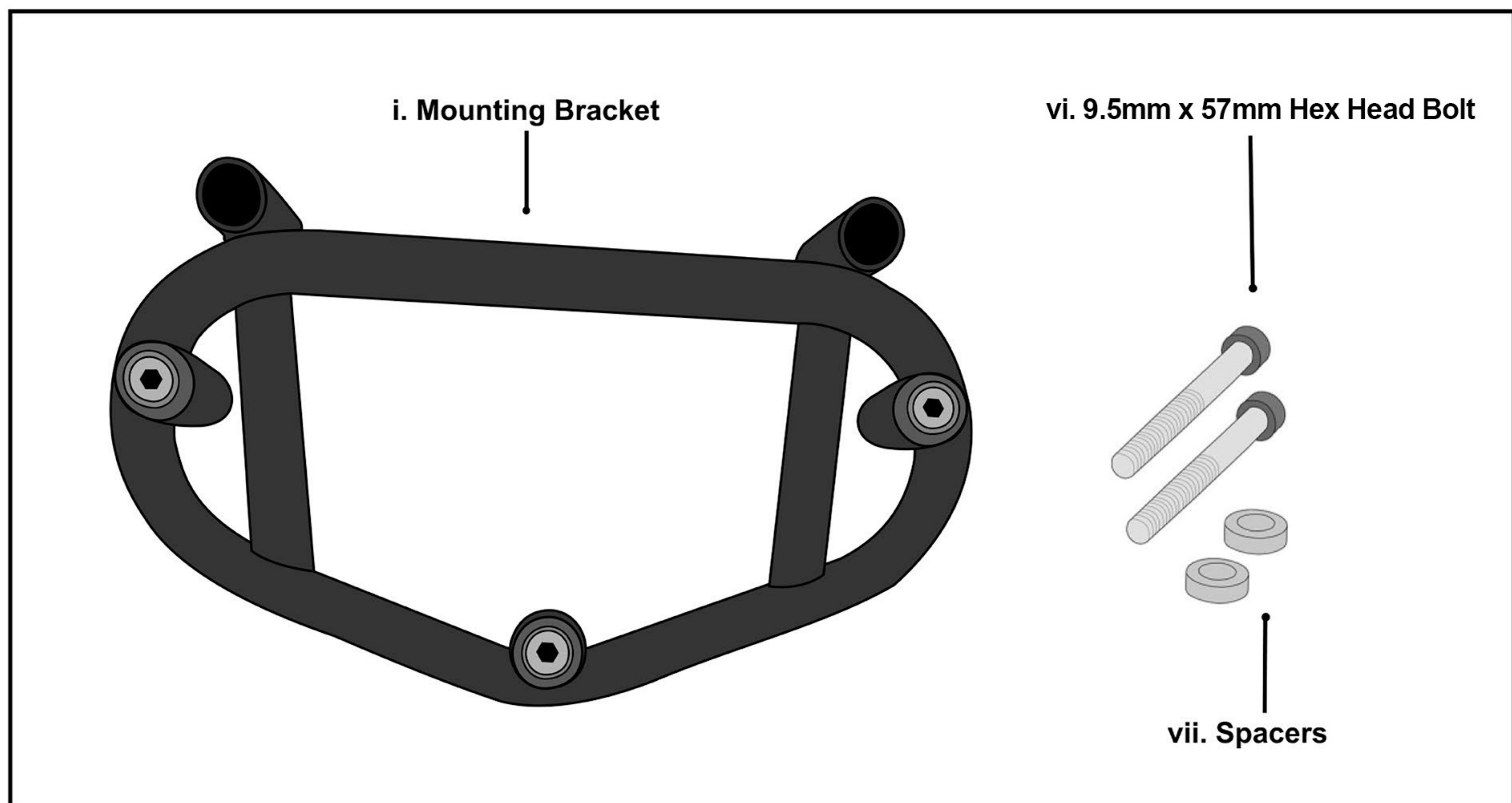
Parts:

i	Mount Bracketing (Right Side Only)	x 1
ii	Guide Bolt	x 3
iii	Lock Bolt	x 1
iv	6mm x 20mm Hex Screw	x 1
v	6mm x 20mm Flat-head Screw	x 2
vi	9.5mm x 57mm Hex Head Bolt	x 2
vii	Spacers	x 2

Note:

- Before starting step 1 make sure to lift the motorcycle with a suitable motorcycle jack.
- This installation is showing left side bracket, but the steps work for right side as well

Parts Diagram:



Instructions:

Step 1

Remove the bolts from the shock strut and motorcycle frame.

Step 2

Install the mounting bracket (i) to the motorcycle frame as shown in **Fig 1** and using 9.5mm x 57mm Hex Head Bolt and Spacers (vii). Make sure to tighten the bolts using the manufacturer's recommended torque.

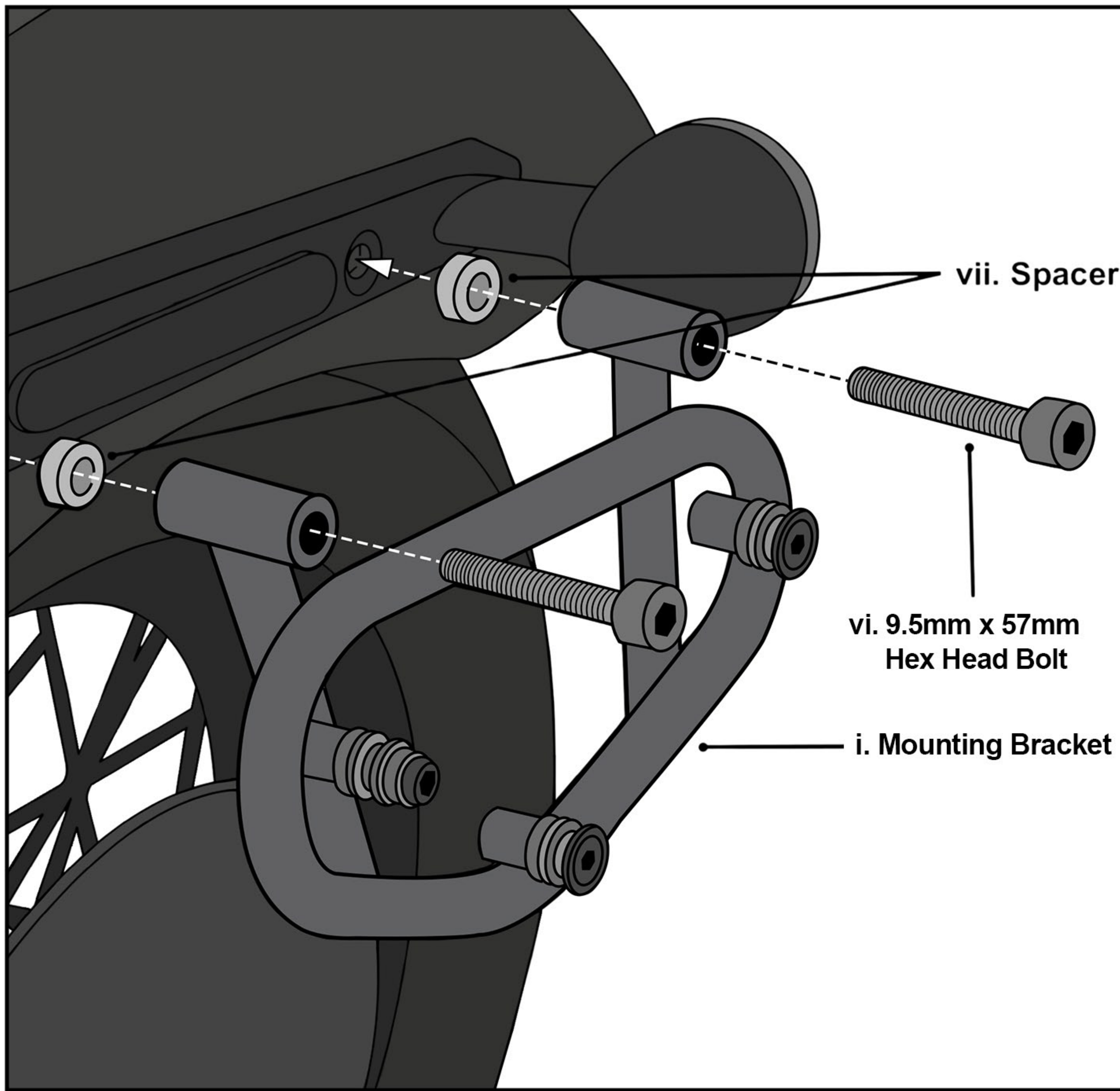
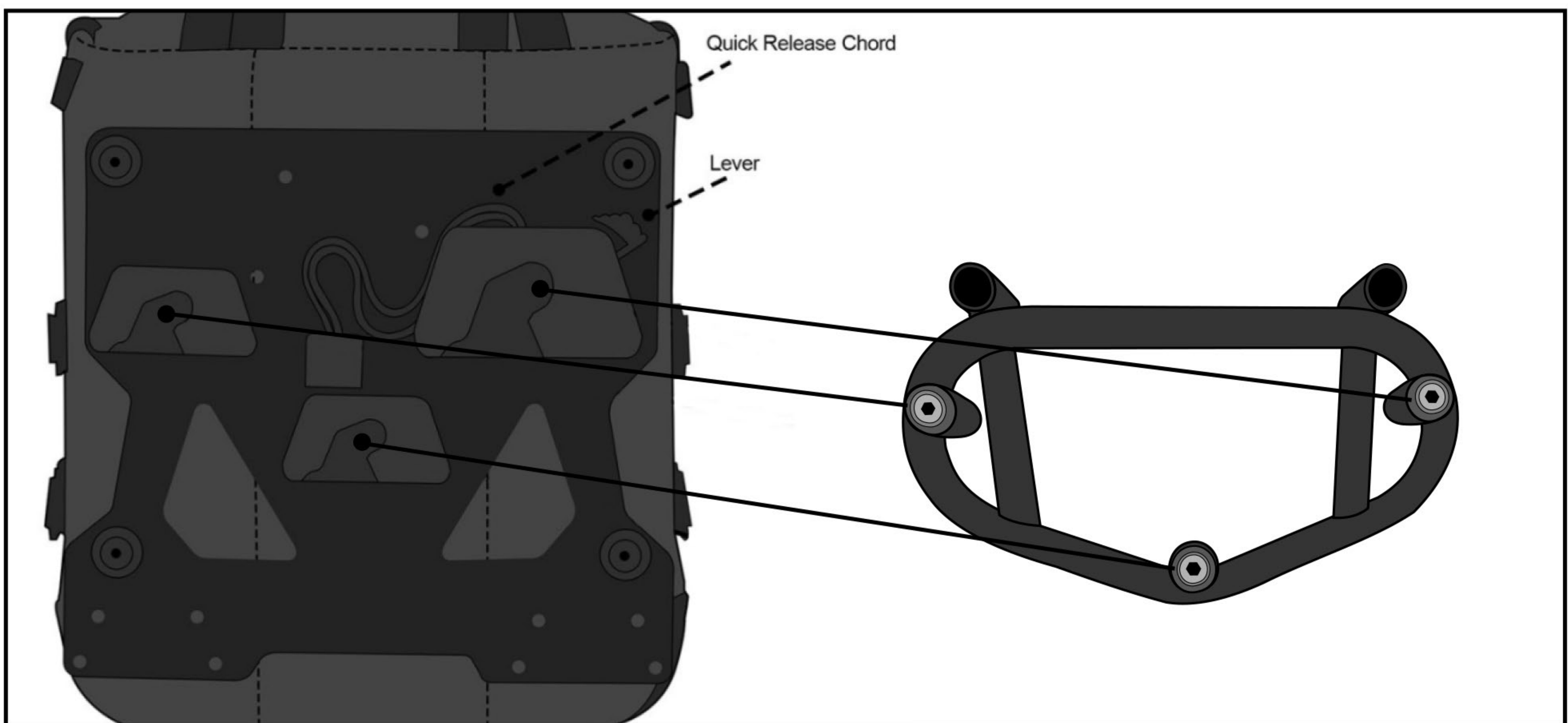


Fig 1. Installing the mounting bracket

Step 3

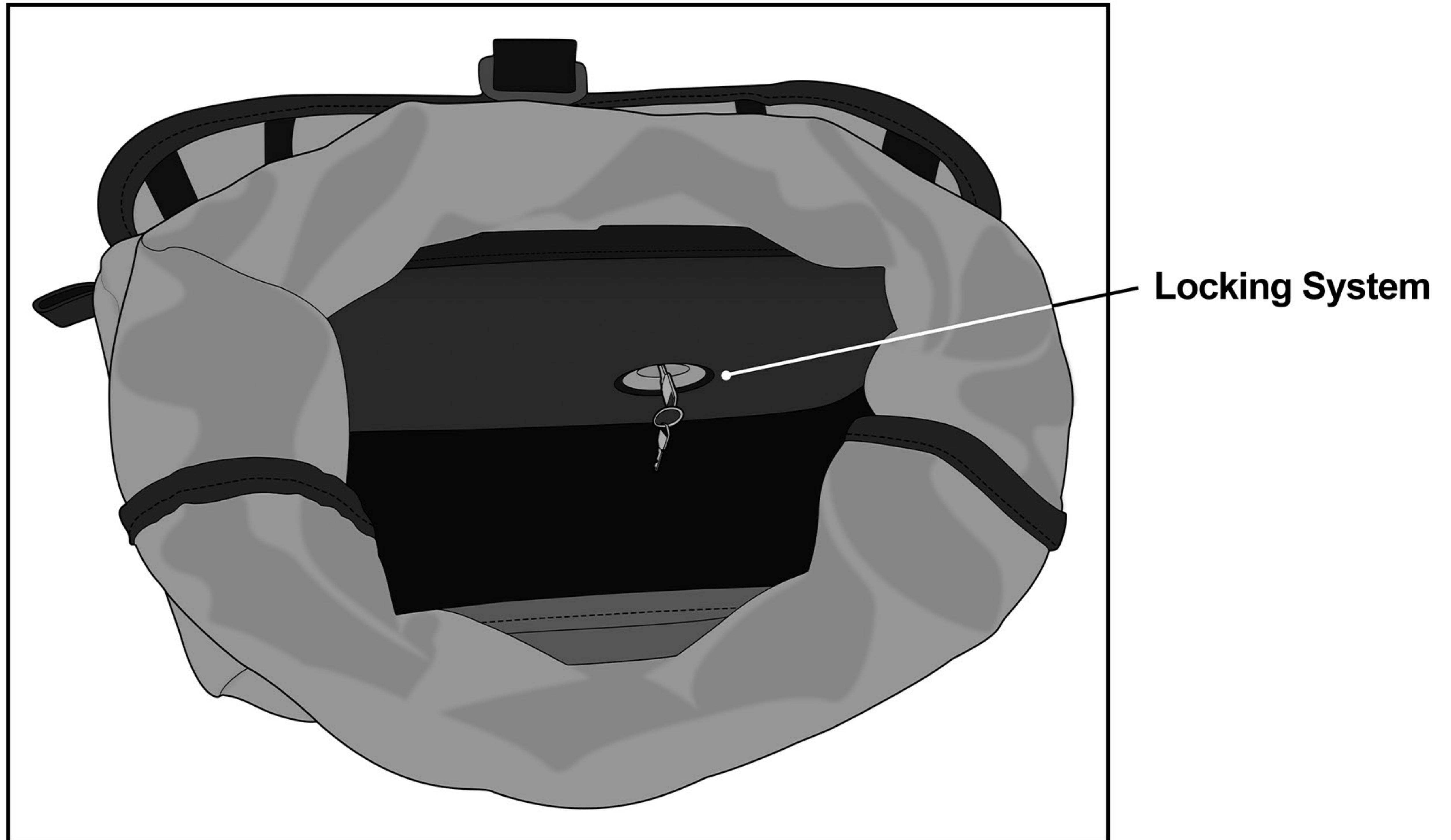
Use the pre-installed adapter plate in the back of the Viking Detachable Solo Bag to mount it on the bracket as shown in **Fig 2**. Press the Solo Bag onto the mounting pegs until it properly rests on the mounting bracket.

To release the bag, press the lever or pull the quick-release cord.



Tip:

The Quick Detach Mounting System of the bag is lockable. Use the provided set of keys to secure the quick detach mounting system of the bag.



locking system located below the waterproof liner

**Congratulations, your Viking Incognito Solo Bag
is installed and you are ready to ride!**

Warnings !

- Do not install if any of the mounting straps are damaged or impaired.
- If you have any questions or concerns about the installation, call Viking Bags or consult your local mechanic.
- Ensure no part of the bag obstructs any of the moving parts of the bike.
- Viking Bags is not liable for any damage or malfunctions caused to your motorcycle during the installation process
- Improper loading can cause vehicle handling problems leading to death or severe injury.