

Viking Incognito Solo Saddlebag for Harley Davidson Dyna:



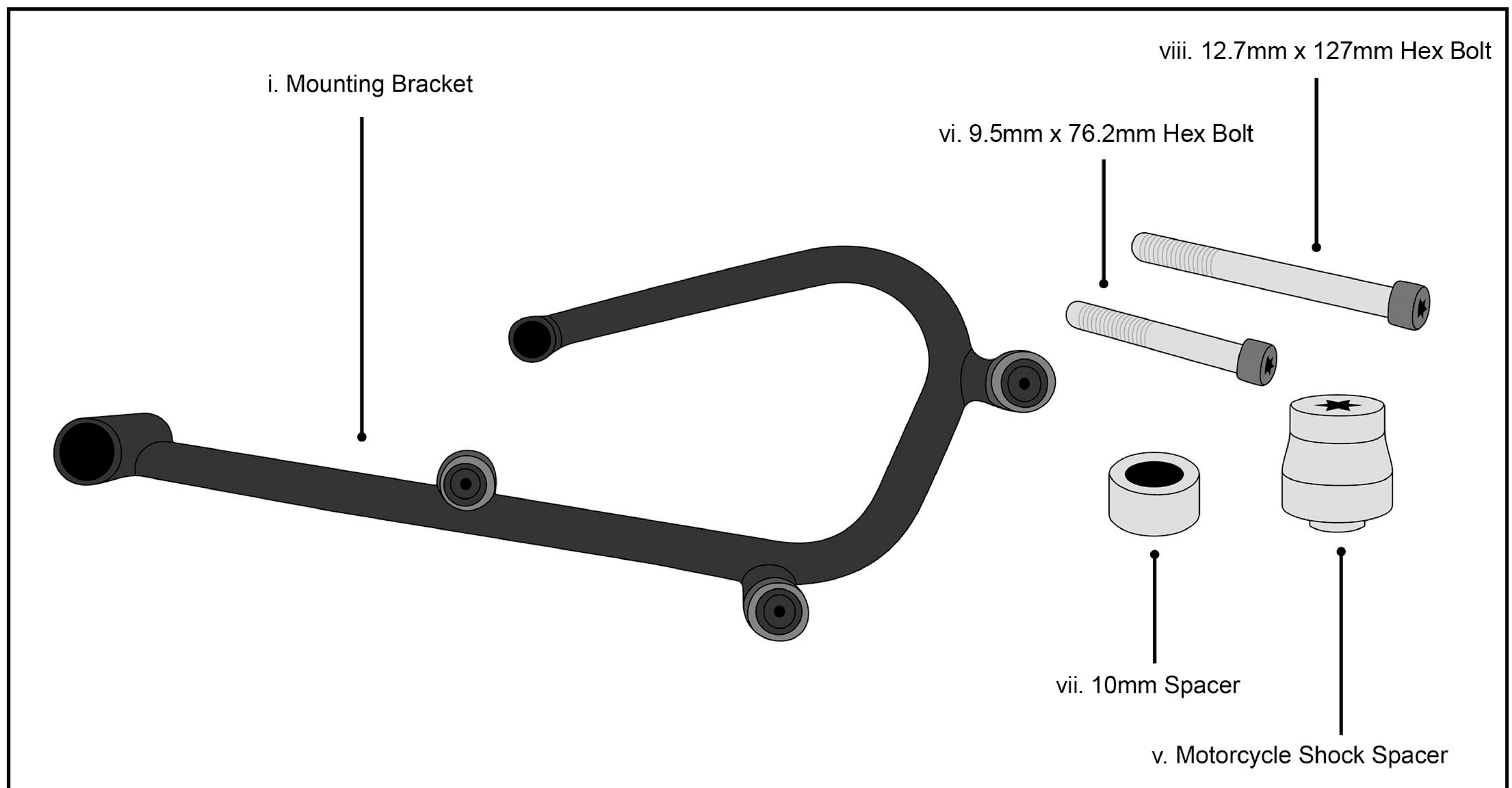
Parts:

i	Mount Bracketing	x1
ii	Guide Bolt	x3
iii	Lock Bolt	x1
iv	6mm x 20mm Hex Screw	x1
v	Motorcycle Shock Spacer	x1
vi	9.5mm x 76.2mm Hex Bolt	x1
vii	10mm Spacer	x1
viii	12.7mm x 127mm Hex Bolt	x1

Note:

- Before starting step 1 make sure to lift the motorcycle with a suitable motorcycle jack
- The installation steps show the installation for the left mounting bracket, you can use the same steps for the right mounting bracket as well.

Parts Diagram:



Instructions:

Step 1:

Remove your seat.

Remove the OEM fender strut bolt.

Step 2:

Loosen OEM bolts as shown and remove the shock. Store the nuts and bolts in a safe place, you will replace OEM bolts with the provided bolts for this installation. (Fig 1.)

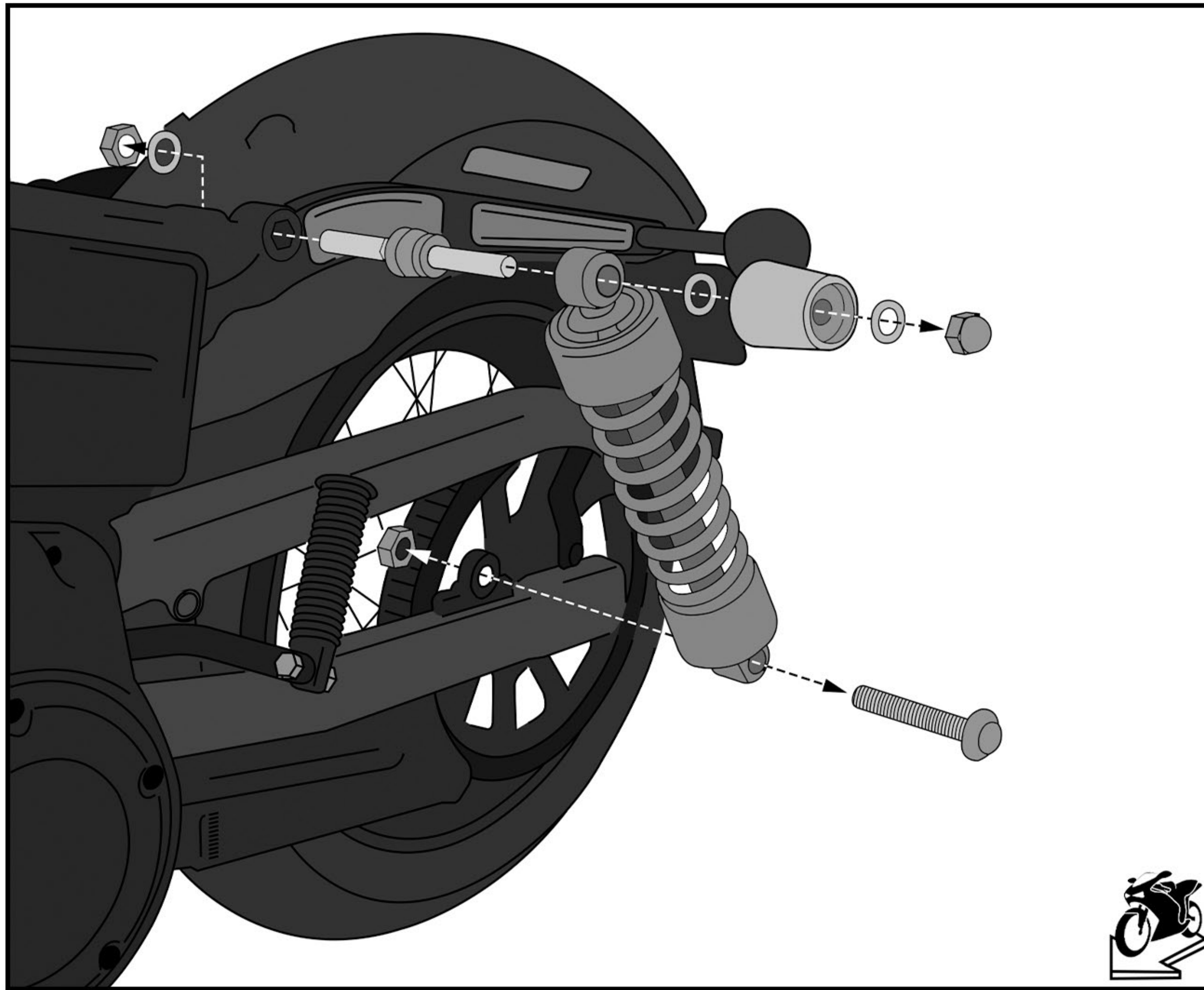


Fig 1. Removing the motorcycle shock

Step 3:

Install the mounting bracket (i) to the fender strut using provided bolts and OEM bolts. (Fig 2.)

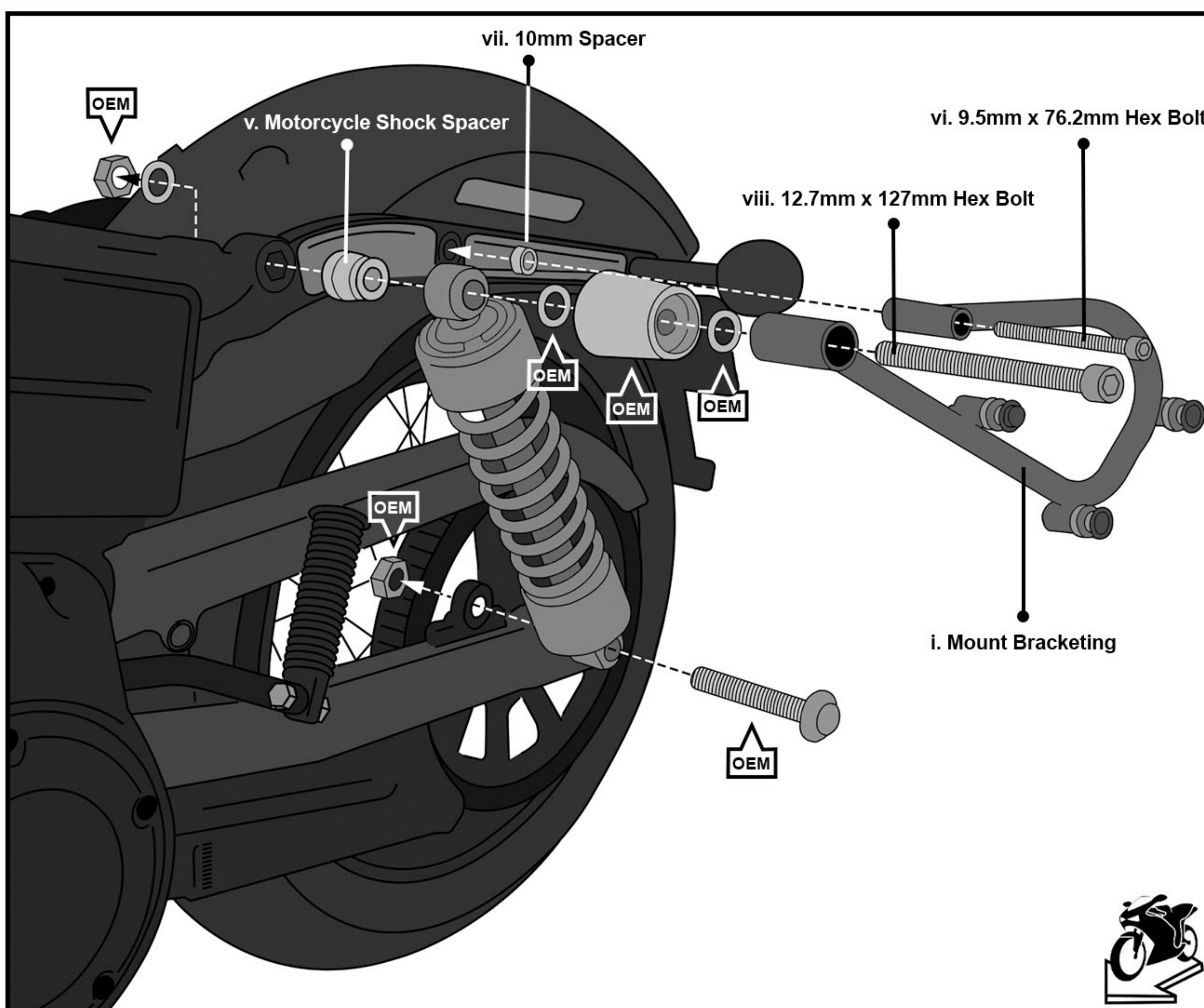


Fig 2. Installing the mounting bracket

Step 4:

Use the pre-installed adapter plate in the back of the Viking Detachable Solo Bag to mount it on the bracket as shown in Fig 3. Press the Solo Bag onto the mounting pegs until it properly rests on the mounting bracket.

To release the bag, press the lever or pull the quick-release cord.

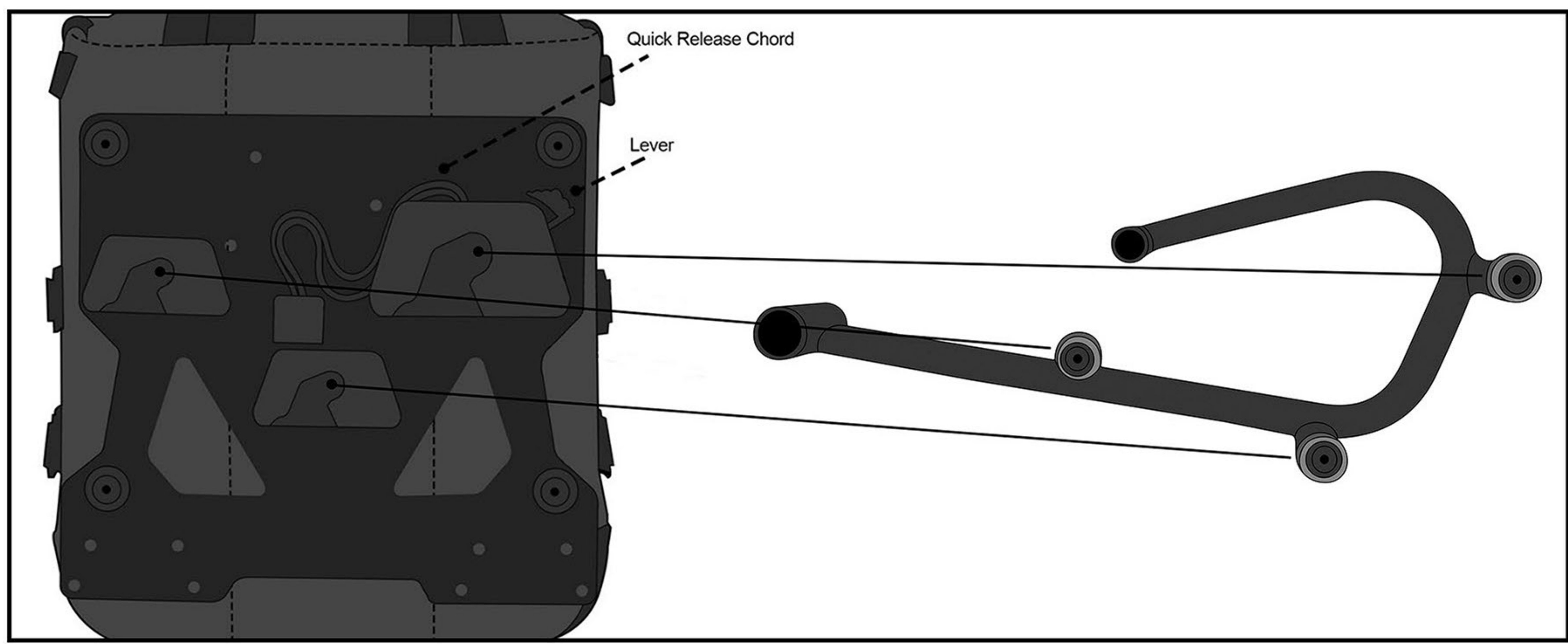
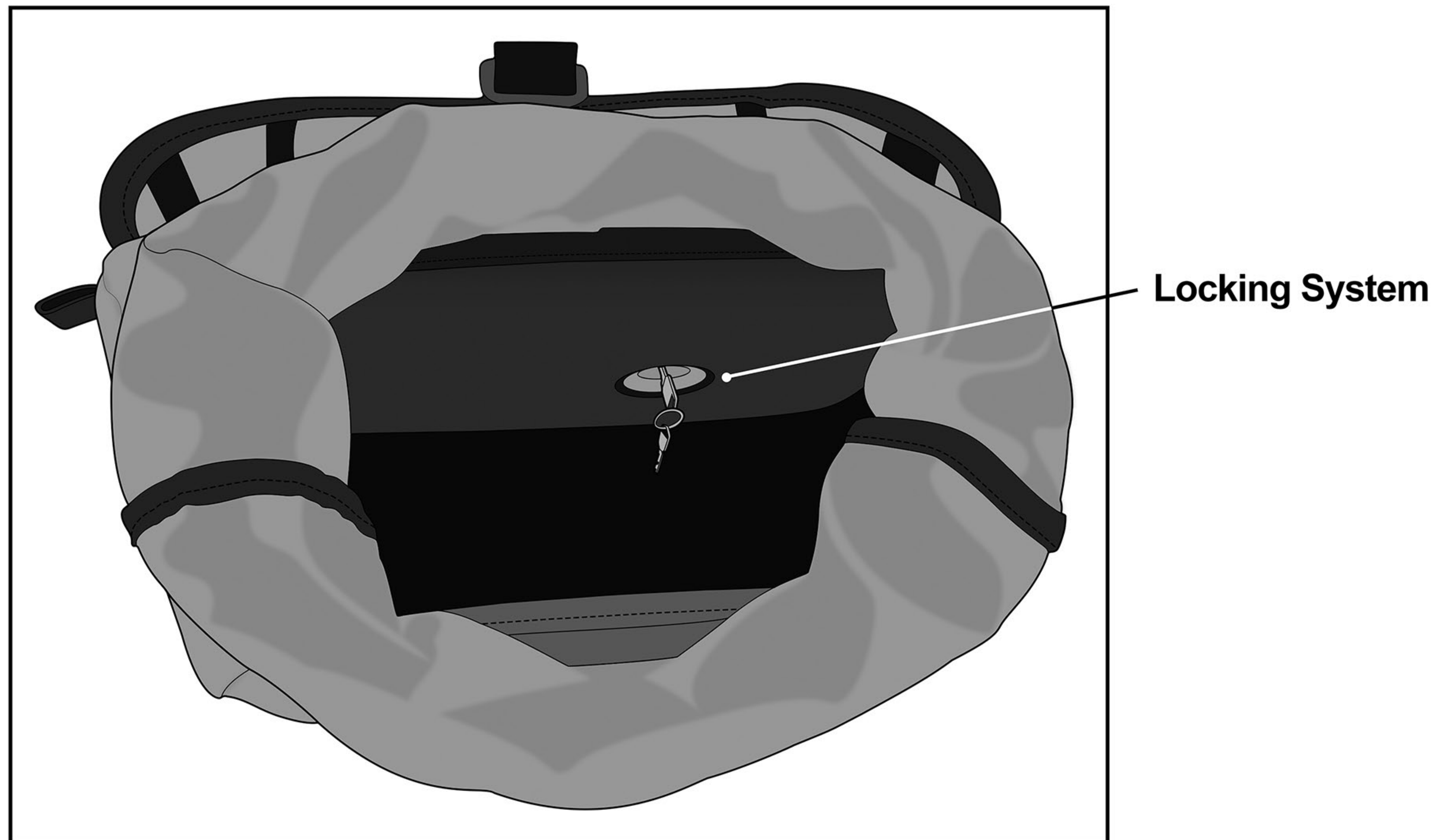


Fig 3. Installing the bracket

Tip:
 The Quick Detach Mounting System of the bag is lockable. Use the provided set of keys to secure the quick detach mounting system of the bag.



locking system located below the waterproof liner

Congratulations, your Viking Incognito Solo Bag is installed and you are ready to ride!

Warnings!

- Do not install if any of the mounting straps are damaged or impaired.
- If you have any questions or concerns about the installation, call Viking Bags or consult your local mechanic
- Ensure no part of the bag constructs any of the moving parts of the bike
- Viking Bags is not liable for any damage or malfunctions caused to your motorcycle during the installation process
- Improper loading can cause vehicle handling problems leading to death or severe injury.