

Viking Engine Guard Installation for Harley Tourings:



Parts List:

A	Engine Guard	x1
B	Hex Socket Screw 5/16"	x1
C	Pan Head Screw 3/8"	x2
D	Flat Washer ID = 8.4 MM, OD = 16 MM	x1
E	MS LOCK NUT 3/8"	x1

Installation Instructions:

Step 1:

If you have an existing engine guard, remove it from your bike by loosening the top and side screws holding the guard in place.

Step 2:

Attach the top of the engine guard to the motorcycle using the supplied Hex Socket Screw (B) and Flat Washer (D) as shown in Figure 1.

Do not fully tighten.

Step 3:

With the top screw loosely fastened, attach the engine guard to the motorcycle frame using the supplied 2 Pan Head Screws (C). See

Figure 1.

Step 4:

Tighten the top screw (B) to 30 N.m and the side screws (C) to 25 n.m of torque.

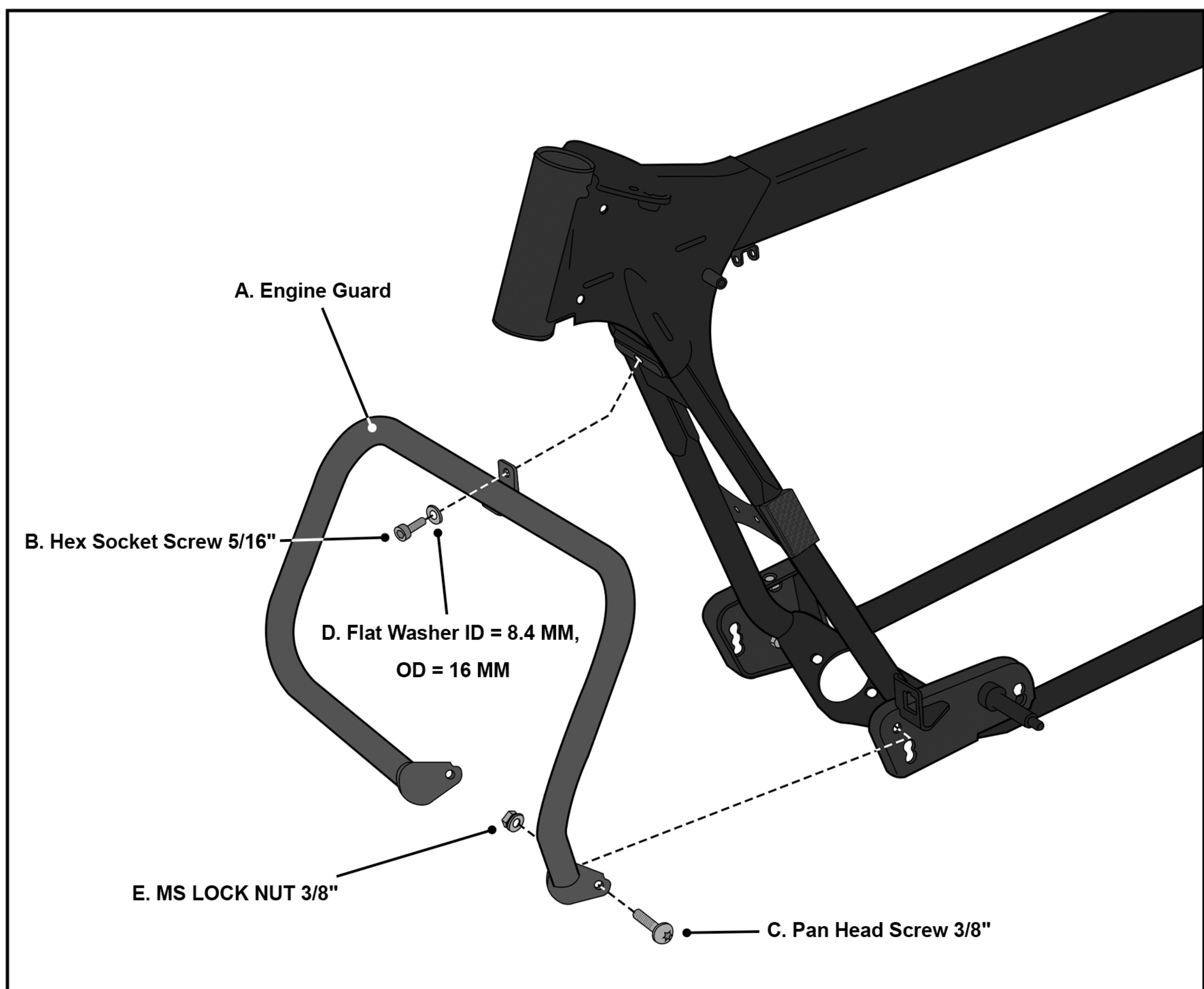


Fig 1. Installing the Engine Guard

Warnings!

- Do not install if product is damaged or any items in the parts list are missing
- Seek guidance from a certified motorcycle mechanic in case of any confusion
- No part of the engine guard must restrict free movement of the handlebar or obstruct normal function of the motorcycle
- Viking Bags is not responsible for any damage caused by improper installation or misused of the product.