

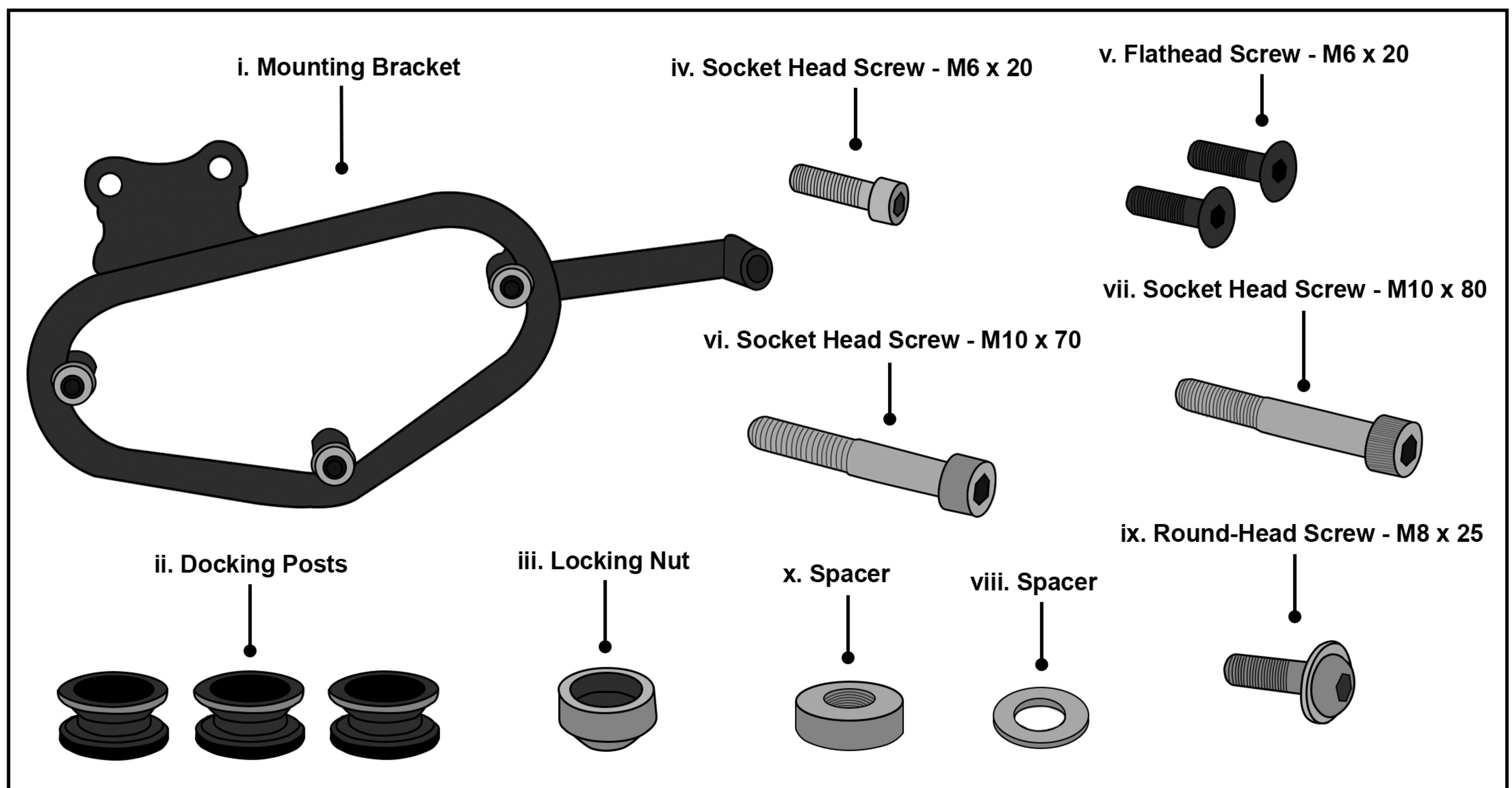
# Viking Quick Detachable Saddlebag Installation for Triumph Bonneville Speedmaster:



## Parts:

i	Mounting Bracket	x1
ii	Docking Posts	x3
iii	Locking Nut	x1
iv	Socket Head Screw - M6 x 20	x1
v	Flathead Screw - M6 x 20	x1
vi	Socket Head Screw - M10 x 70	x1
vii	Socket Head Screw - M10 x 80	x1
viii	Spacer	x1
ix	Round-Head Screw - M8 x 25	x2
x	Spacer	x2

## Parts Diagram:

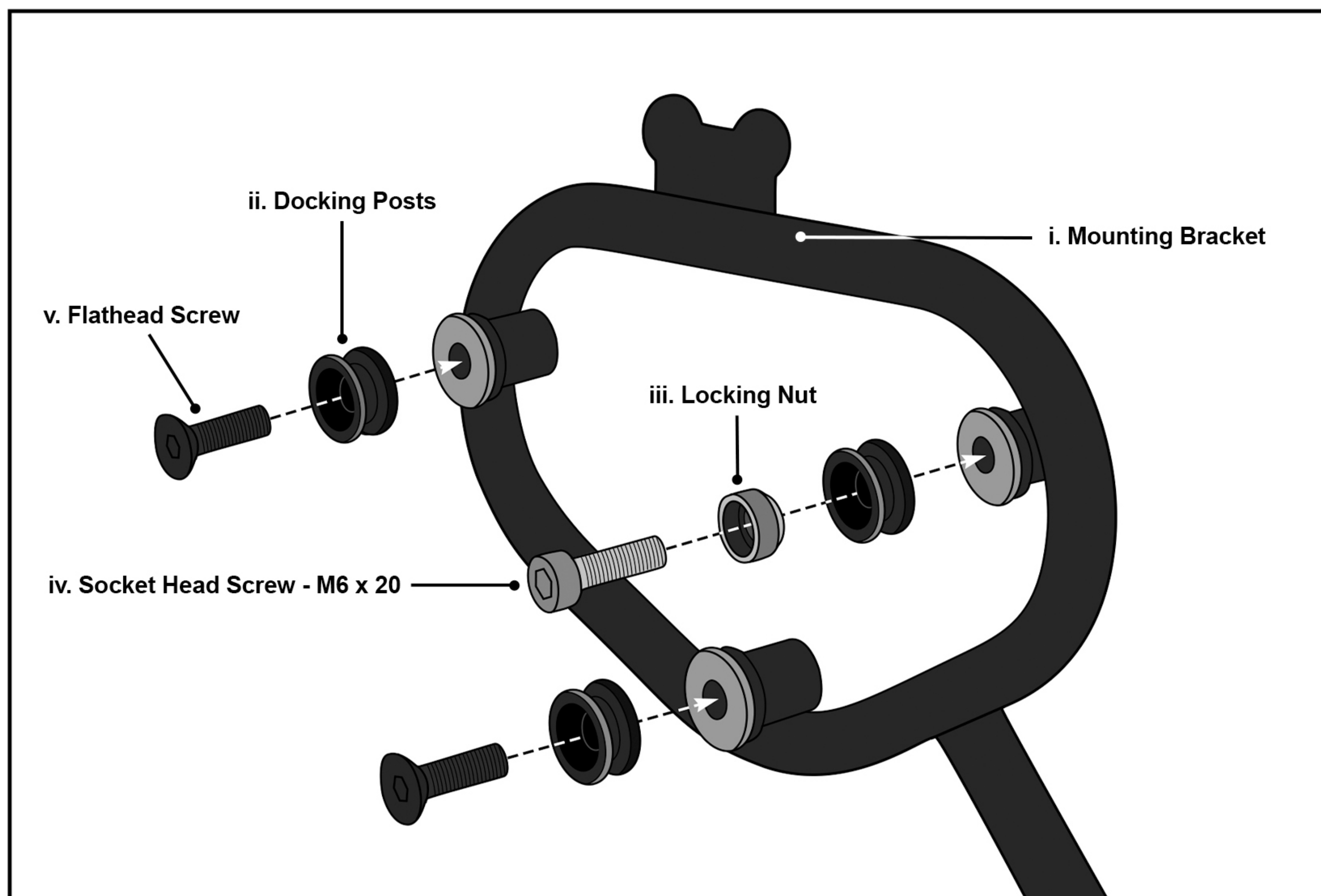


## Installation Instructions:

### Step 1:

Install the 3 Docking Posts (ii) and the Locking Bolt (iii) to the mounting bracket as shown in Figure 1. We recommend using blue loctite for securing the screws. Tighten to 8 N-m.

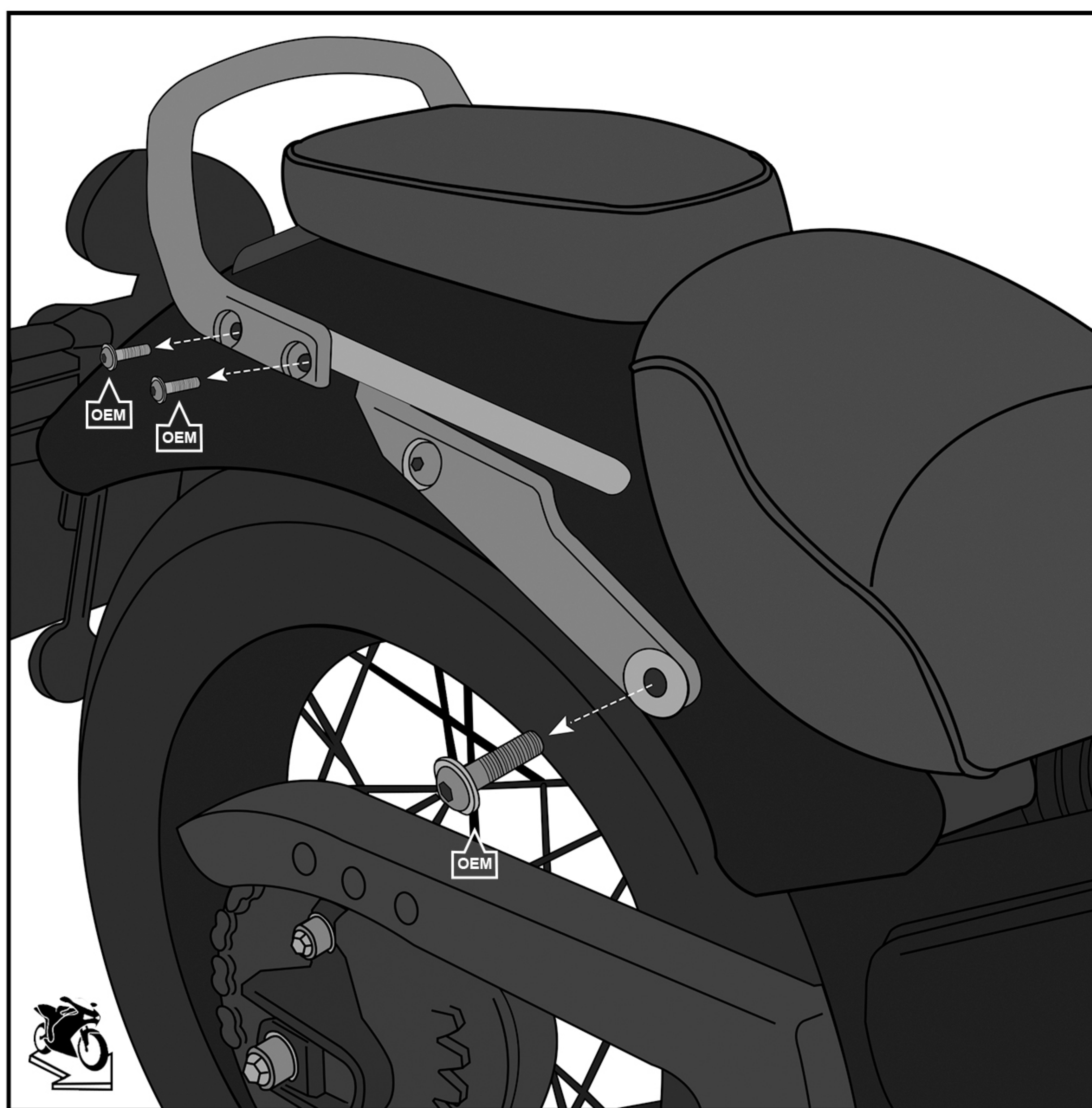




**Fig 1. Assembling the Mounting Bracket**

**Step 2:**

Remove the existing 3 OEM fender bolts. See figure 2.



**Fig 2. Remove the existing fender bolts**

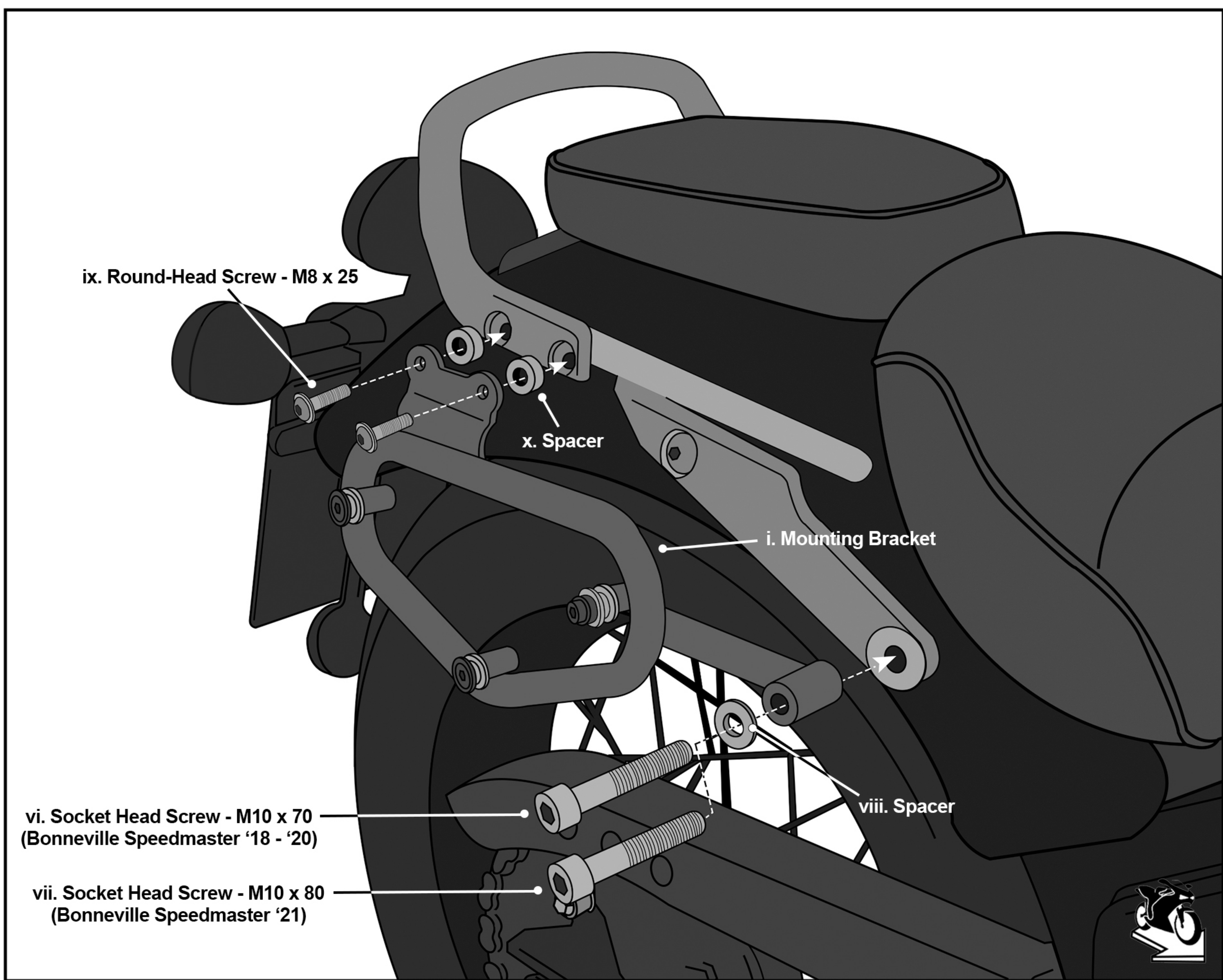
**Step 3:**

Attach the mounting bracket to your bike's fender using the supplied round-head screws (ix), a socket head screw and spacers (viii and x). Use loctite when fastening the screws.

For 2018-2020 models, use the 70mm socket head screw (vi). For 2021 and newer models, use 80mm socket head screw (vii).

See Figure 3.





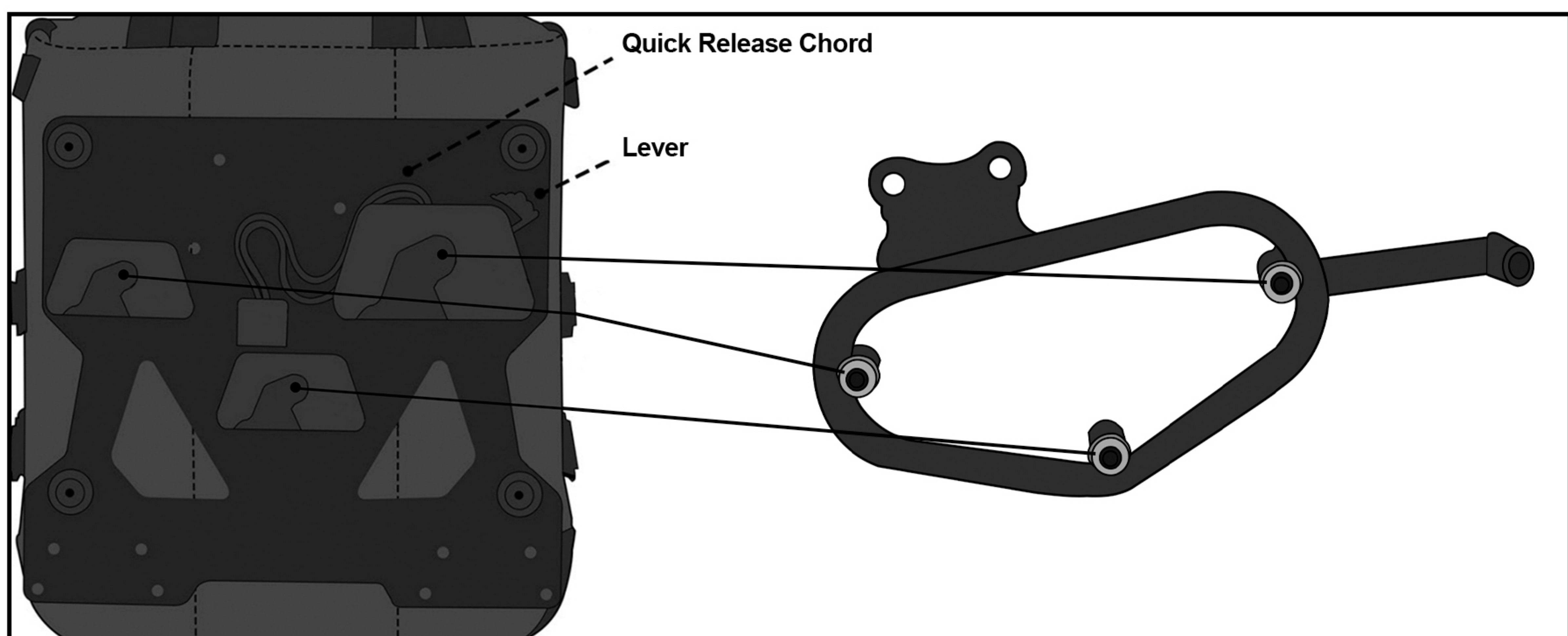
**Fig 3. Installing the mounting bracket**

### Step 4:

The back of the bag comes equipped with a quick disconnect bracket.

Attach the bag to the mounting bracket by aligning the holes in the quick disconnect bracket with the 3 docking posts. Push the bag downwards so that the docking posts engage with the grooves in the bracket and the bag locks in. See Figure 3.

Pull the lever to disengage the lock and remove the bag.

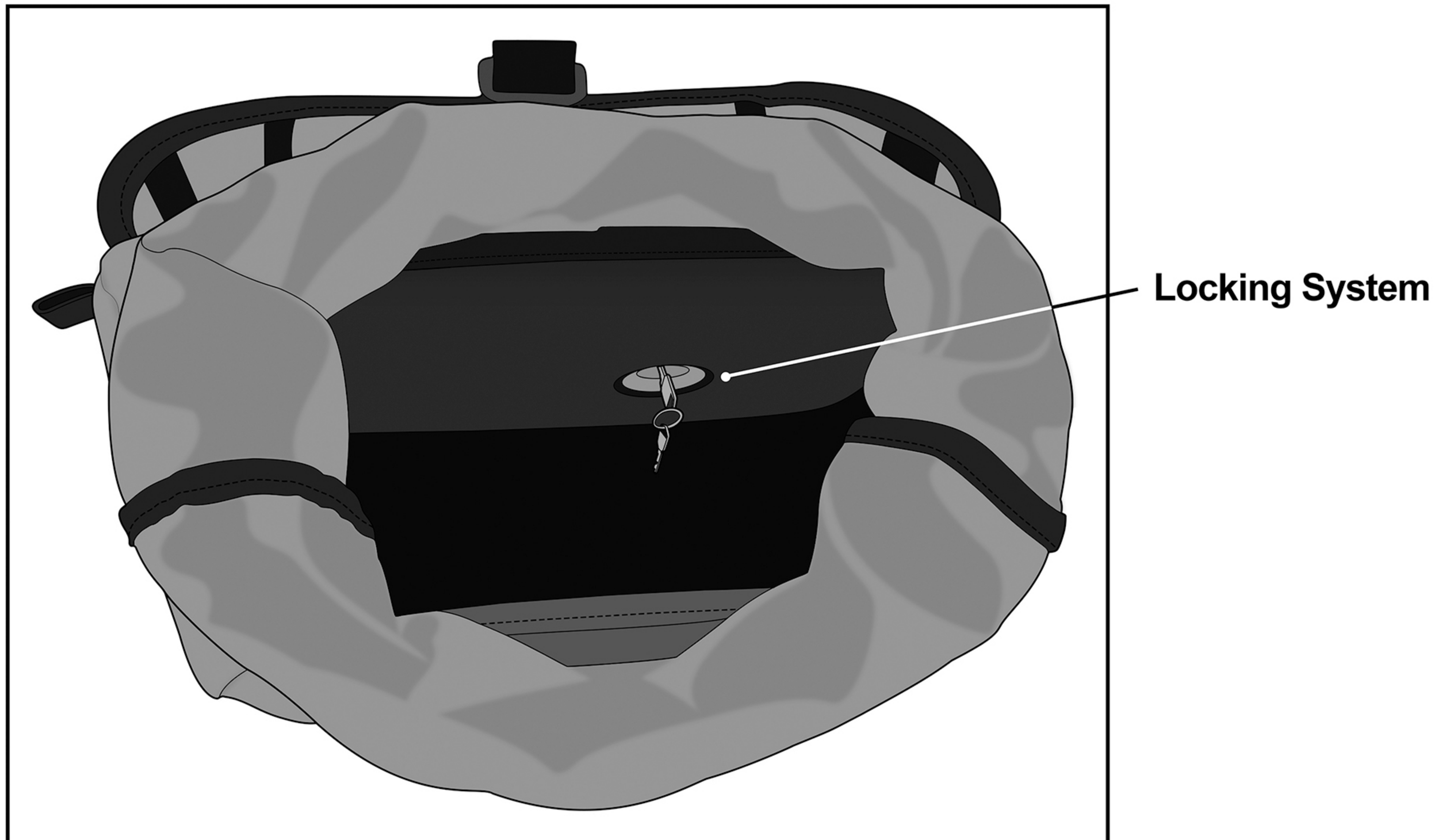


**Fig 3. Attaching the Saddlebag**



## Tip:

The quick disconnect system is key lockable. Lock / unlock the quick disconnect system from inside the bag to secure your bag against theft.



locking system located below the waterproof liner

**Congratulations, your Viking Incognito Solo Bag is installed and you are ready to ride!**

## Warnings!

- Do not install if you are unsure about any of the installation steps.
- No part of the bag or side rack should obstruct any of the moving parts of the bike such as the wheels or drive-train.
- Viking Bags is not responsible for any damage or injury caused by improper installation or use of the product.